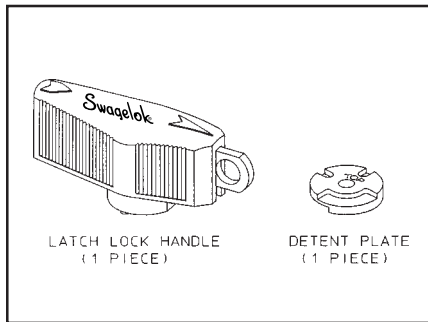


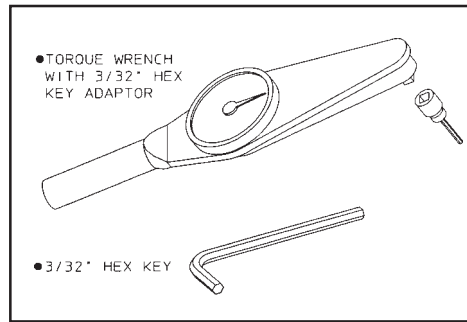
## Installation Instructions 43 series Latch Lock Handle Lock open or closed service for straight or angle pattern valves

This document shows you how to install a latch lock handle on your existing 43 series valve enabling you to lock the valve in the open or closed position. These instructions apply only to **straight** and **angle** pattern valves.

### Kit contents



### Suggested Tools



**WARNING:** Before servicing any installed valve, you must



- Depressurize system
- cycle valve

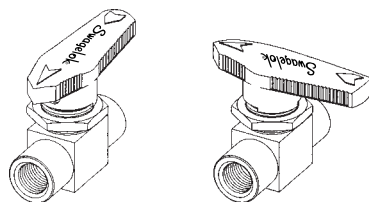
**WARNING:** Residual material may be left in the valve and system.

**NOTE:** It is important to refer to the exploded view drawing while following the maintenance instructions.

## Valve Preparation

1. Set the valve open or closed as shown.

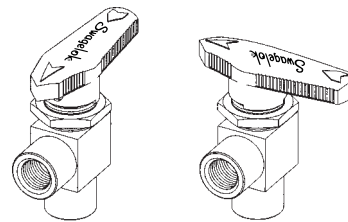
STRAIGHT PATTERN



OPEN

CLOSED

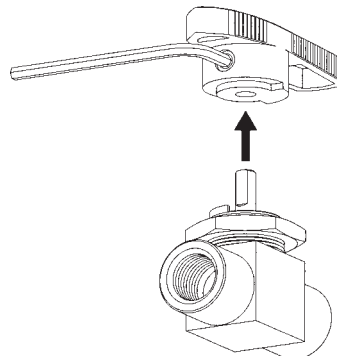
ANGLE PATTERN



OPEN

CLOSED

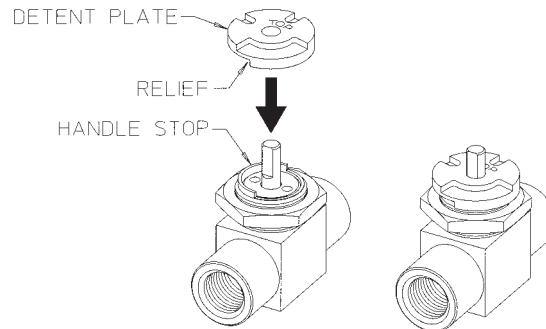
2. Loosen set screw and remove old handle.  
Note: Drawings show the valve in the open position for illustration purposes.



---

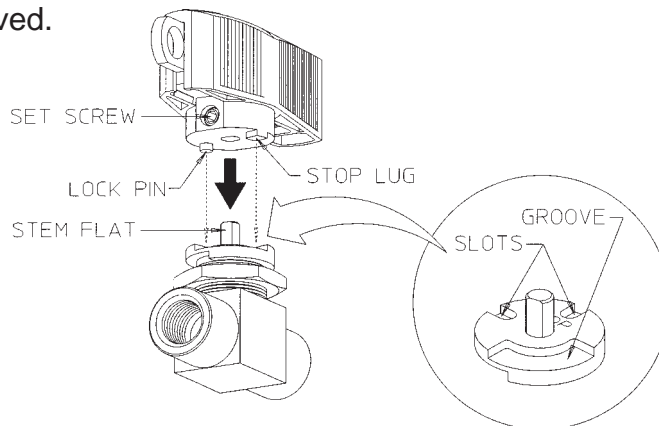
## Installation

1. Slide detent plate over stem with the word "TOP" facing up. Relief on bottom of detent plate fits over handle stop on valve.

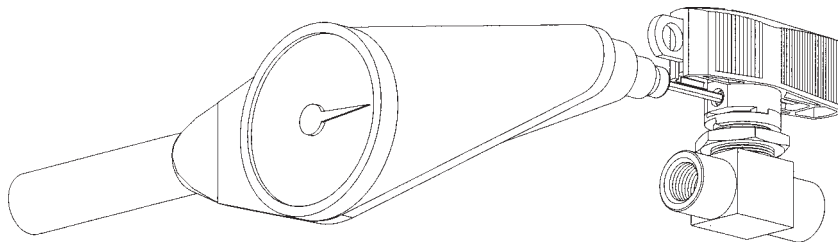


2. Line up set screw with stem flat and install latch lock handle. Make sure stop lug is in groove on detent plate and lock pin is in one of the slots on detent plate.

Note: Handle/valve orientation should be identical to the orientation of the handle/valve when the old handle was removed.



3. Tighten set screw to 30-35 in-lbs.



---

## Operation

1. Depress trigger all the way into handle.
2. Begin turning handle and release trigger.
3. Continue turning handle until it "clicks" into place.
4. Valve can be locked out by placing a padlock or locking device through hole in trigger.

