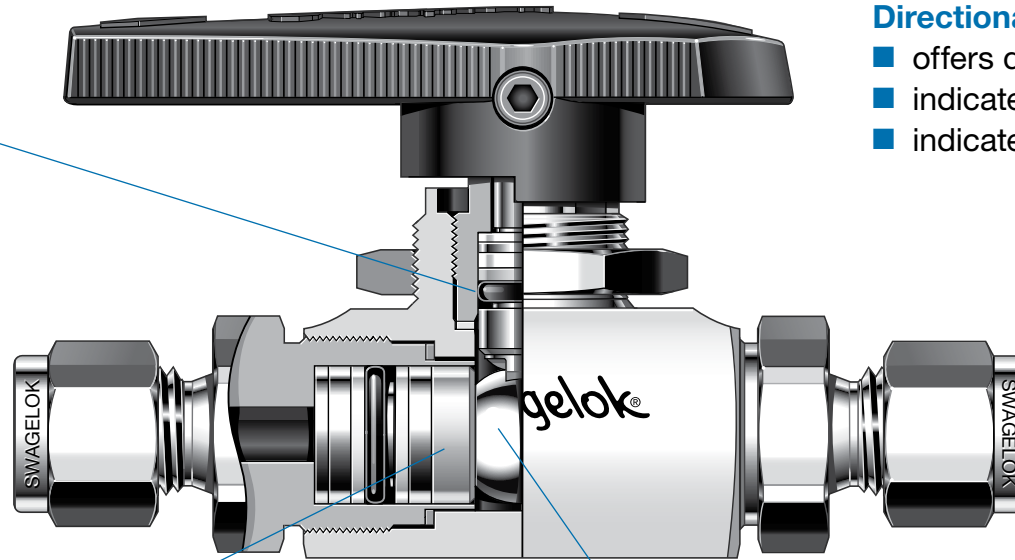


Multipurpose Ball Valves

SK Series

O-ring stem seal

- requires no packing adjustment
- provides leak-tight seal to atmosphere



Directional handle

- offers quarter-turn operation
- indicates flow direction
- indicates open/closed position

Spring-loaded PEEK seats

- provide chemical compatibility
- provide leak-tight integrity in both low- and high-pressure systems

Stainless steel floating ball

reduces wear and extends cycle life

Pressure-Temperature Ratings

Temperature °F (°C)	Working Pressure psig (bar)
0 (-17) to 200 (93)	6000 (413)
250 (121)	6000 (413)
302 (150)	3000 (206)

Multipurpose Ball Valves

SK Series

Product Features

- Working pressures up to 6000 psig (413 bar)
- Temperatures from -40 to 302°F (-40 to 150°C);
 - standard temperature range: 0 to 302°F (-17 to 150°C);
- High-flow capacity in a compact design
- Flow coefficients (C_v) of 0.9 to 1.4
- Bidirectional flow
- 316 stainless steel construction
- Standard panel mounting
- No packing adjustment required
- 1/4 to 3/8 in. and 6 to 8 mm end connections
 - Swagelok® gaugeable tube fittings
 - Swagelok male VCO® O-ring face seal fittings
 - Female and male NPT pipe thread
 - Female ISO tapered pipe thread
- Field rebuildable with seal kits

Product Options

- Handles
 - Nylon directional, standard
 - Nylon oval
 - Stainless steel directional
 - No handle
- Locking Bracket
 - provides lockout capability
- Process Options
 - Hydrostatic testing
 - Special cleaning and packaging
- Low-Temperature Service
 - -40 to 250°F (-40 to 121°C)
- PTFE-Coated Stainless Steel Ball
 - promote service life in applications subject to lubricant washout
- Sour Gas Service
 - In accordance with NACE standard MR0175 / ISO 15156
- Pneumatic Actuators
 - Swagelok rack and pinion
 - Swagelok ISO 5211-compliant



Swagelok®