

# Pressure Gauges

## For the Sanitary Industries



### PSD and PSF Series

- 4 in. nominal (100 mm) dial size with dual psig and bar scale
- Glycerin-filled case available
- Available unfilled case with polysulfone lens autoclavable to 300°F (148°C)
- All-welded 316L stainless steel diaphragm seal and Bourdon tube; stainless steel case
- Electropolished diaphragm and seal 20 μin. (0.51 μm)  $R_a$
- 3-A compliant with Kwik-Clamp diaphragm seal connections

### Technical Data

#### Dial Ranges

##### Compound Gauges

- Vacuum to 0 psi and vacuum to 60 psi (4 bar)

##### Positive-Pressure Gauges

- 0 to 60 psi (4 bar) through 0 to 300 psi (20 bar)

#### Accuracy

± 1.0 % of span

#### Configurations

Lower mount and lower-back mount

#### Diaphragm Seal Connection

1 1/2 and 2 in. Kwik-Clamp

#### Temperature Rating

##### Ambient

25 to 140°F (-3 to 60°C)

##### Media (Operating)

25 to 300°F (-3 to 148°C)

##### Temperature Error

± 0.06 % for every 10°F (5.5°C) temperature change from 68°F (20°C)

### Materials of Construction

Component	Material
<i>Diaphragm seal, Bourdon tube</i>	316L SS
Diaphragm seal fill fluid	Glycerin (positive-pressure gauges)
	Mineral oil (compound gauges)
Case, bezel ring, movement	Stainless steel
Lens	Polycarbonate (PSF models)
	Polysulfone (PSD models)
Lens gasket	Buna N (PSF models)
Dial, pointer	Aluminum
Case fill fluid	Glycerin (PSF models)

Wetted components listed in *italics*.

### Testing and Calibration

Every Swagelok® sanitary pressure gauge is factory calibrated and pressure tested.

### Additional Products

Swagelok offers a variety of dampened-movement bimetal thermometers and thermowells that are 3-A compliant with Kwik-Clamp sanitary clamp process connections.

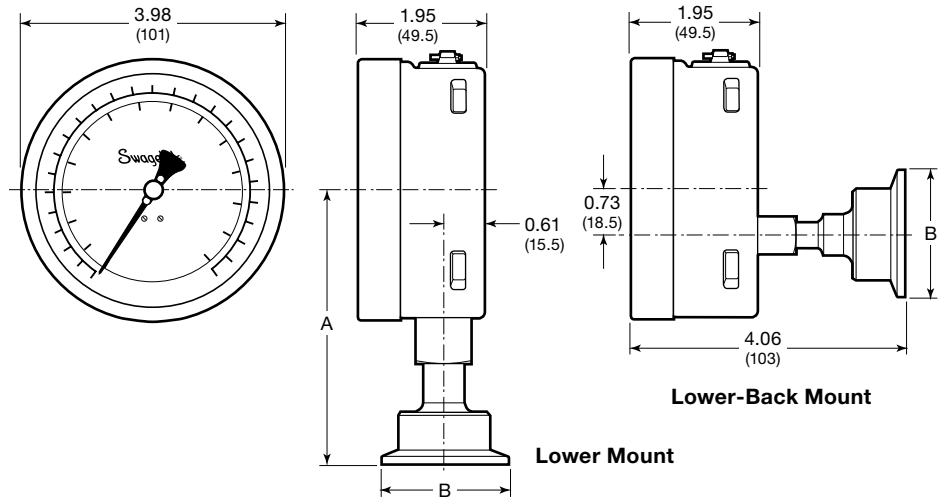
For more information, see the Swagelok *Temperature Measurement Devices* catalog, MS-02-353.



## Dimensions

Dimensions, in inches (millimeters) are for reference only and are subject to change.

End Connection Size	Dimensions, in. (mm)	
	A	B
1 1/2 in.	3.90 (99.0)	1.97 (50.0)
2 in.	3.94 (100)	2.52 (64.0)



## Ordering Information

Build a sanitary pressure gauge ordering number by combining the designators in the sequence shown below.

**1** **2** **3** **4** **5** **6** **7** **8** **9**  
**PSF 100 PG100 P L 1 24 1 B**

### 1 Model

**PSD** = Pressure gauge, sanitary, unfilled case

**PSF** = Pressure gauge, sanitary, glycerin-filled case

### 2 Dial Size

100 = 4 in. nominal (100 mm)

### 3 Dial Range

See below.

### Dial Range Designators

The selected dial range should be approximately two times the system working pressure, and the system working pressure should be in the middle half (25 to 75 %) of the dial range. Contact your authorized Swagelok sales and service representative if the system working pressure will exceed 75 % of the dial range.

Dial Range, psi		Designator
Minimum	Maximum	
Vacuum -30 in. Hg	0	PC0
	60	PC60
0	60	PG60
	100	PG100
	160	PG160
	200	PG200
	300	PG300

### 4 Gauge Scale

P = psi primary, bar secondary

### 5 Process Connection Location

L = Lower mount

B = Lower-back mount

### 6 Diaphragm Seal Connection

1 = Kwik-Clamp

### 7 Diaphragm Seal Connection Size

24 = 1 1/2 in.

32 = 2 in.

### 8 Diaphragm Seal Fill Fluid

1 = Glycerin (required for positive-pressure gauges)

4 = Mineral oil (required for compound gauges)

### 9 Lens Material

B = Polycarbonate (PSF models)

C = Polysulfone (PSD models)

## Options

Additional dial sizes, dial ranges, process connection types and sizes, fill fluids, and lens materials are available on request. Contact your authorized Swagelok representative.

### Safe Product Selection

**When selecting a product, the total system design must be considered to ensure safe, trouble-free performance. Function, material compatibility, adequate ratings, proper installation, operation, and maintenance are the responsibilities of the system designer and user.**

## Warranty Information

Swagelok products are backed by The Swagelok Limited Lifetime Warranty. For a copy, visit [swagelok.com](http://swagelok.com) or contact your authorized Swagelok representative.