

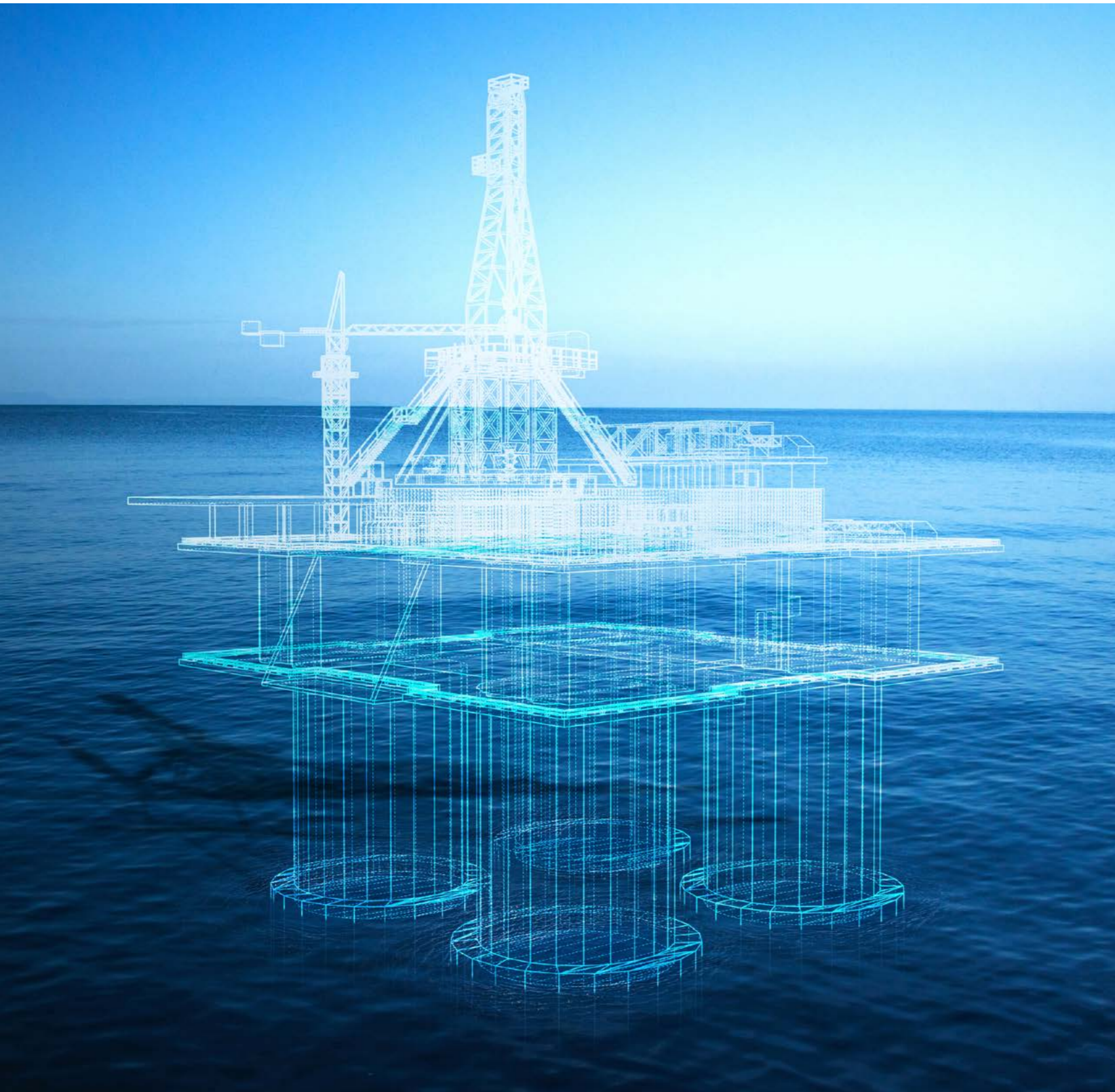


# Capital Projects Product Selection Guide

for Small-Bore Fluid Systems



Swagelok®



## Managing Your Capital Project

Any large-scale construction project is inherently difficult. Thousands of people are involved, competition is aggressive, logistics are complicated, spending approvals can come slowly, and there is a constant threat of project overruns. **To meet deadlines and cost targets while maintaining quality control, you need suppliers and collaborators with international reach, a breadth of capabilities, and applicable industry expertise.**

Swagelok, working with authorized sales and service centers around the world, can help, offering dependable small-bore fluid system components, prefabricated subsystems, locally delivered services, and coordinated project support for to help make your large-scale project a success. Field engineers are here to assist you with everything from product selection and design standardization to training and installation oversight of the entire process.

Engaging Swagelok early in your project development allows you to feel confident that the choices you make will yield fluid systems built to last. How do you know which products will meet your lead-time needs and which ones require a longer planning cycle? **This resource is designed to showcase the Swagelok products that have the shortest lead time, a key**

**factor in keeping your project on time and on budget.**

Above and beyond the most readily available products featured here, you also have access to the entire Swagelok product catalog. A dedicated team of global construction specialists will help you choose from the tens of thousands of Swagelok manufactured products and materials of construction, including assembled-to-order and engineered-to-order part numbers.

**No matter the complexity or location of your project, Swagelok can help.**

Readily available products to help keep your projects on time and on budget





## Global Distribution Network

Benefit from global resources and local support. Wherever you are operating, we are positioned to support your success with:

- Local sales and service center associates have a deep understanding of your business needs and application requirements
- Sales and service centers stock inventory locally for convenient access and offer personalized onsite support and services, from component selection and design help to fluid system evaluations and recommendations on installation practices and system enhancements
- Easily accessible fluid system specialists know your culture, speak the language, and understand specialized regional considerations
- When you face challenges, you have access to manufacturing, field engineering, technical services, logistical support, and special expertise to assist you

Local specialists are backed by a global team of experts, ensuring you receive the recommendations you need to improve the performance, productivity, reliability, and safety of your fluid systems — all while controlling costs and mitigating environmental risks.

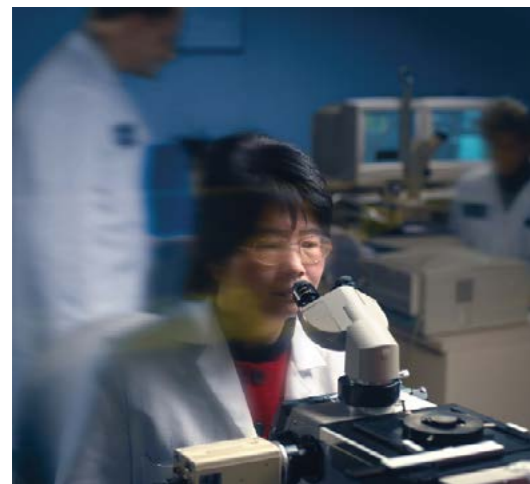
Our global distribution network spans more than **70 countries** with more than **200 sales and service centers, 20 manufacturing facilities, and five global tech centers** — ensuring you have the products and support when and where you need it.





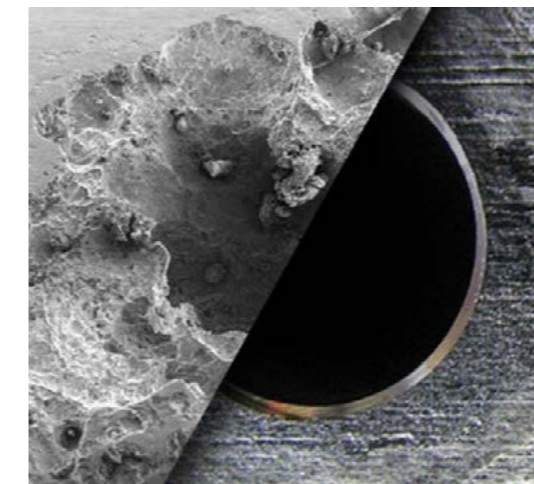
## How Swagelok Helps

At Swagelok, we are singularly focused on the customer's experience. To further support our customers, we provide services ranging from technical assistance and training to special product designs and assemblies. Many of these services originate with our sales and service centers, which are grounded in the local connection to the customer. Through our global resources and local presence, we are positioned to help our customers efficiently and effectively address a broad range of issues.



### Positive Material Identification (PMI)

To deliver proven, reliable performance, every Swagelok® product is manufactured using only the highest-quality raw materials. Our positive material identification (PMI) testing validates the type and grade of metals used during production, while material control and traceability systems track the source of each raw material.



### Corrosion Identification

Corrosion is defined as the physical degradation of a material due to interactions with its environment. But depending on a component's materials and application, corrosion can present itself differently in various environments.

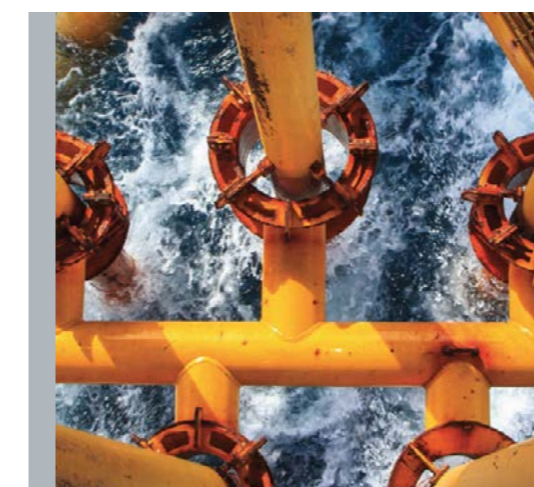
➤ [Learn more](#) about how you can identify different types of corrosion — including general corrosion, localized pitting, localized crevices, stress corrosion cracking, sour gas cracking, hydrogen embrittlement, intergranular corrosion, and galvanic corrosion.



### Material Control

To manufacture industry-leading products, you start by using the best available raw materials. Our stringent supplier standards ensure only the highest-quality metals are sourced from mills that meet our rigorous expectations. Before an order is placed, we start by documenting requirements for chemistry, material properties, processing, testing, reporting, and source control. Then, we inspect the materials upon arrival and trace their use throughout the manufacturing process.

➤ [Learn more](#) about how we maintain product quality through material control.



### Material Selection

Nearly every metal can corrode under the right conditions. And corrosion is a leading cause of mechanical failure. To help fight against corrosion, we have developed a deep understanding of the factors that contribute to it, as well as the material properties that help prevent it.

➤ [Learn more](#) about how you can select the right materials to prevent corrosion in your unique applications — including instrumentation lines, hydraulic power units, chemical injection, deluge systems, and more.





### Corrosion-Resistant Materials

Every Swagelok® component is engineered to provide reliable, long-lasting performance in your fluid-system applications. To accomplish this, we employ a wide range of corrosion-resistant materials in the production of our components, including 316 stainless steel, 6-Moly, Alloy 2507 Super Duplex Stainless Steel, Alloy 825, Alloy 625, Alloy C-276, Alloy 400, titanium alloys, and engineered combinations.

➤ [Learn more](#) about the specifications of each corrosion-resistant metal and how you can determine the right material for your unique application.



### NACE and Norsok Requirements

NACE International is recognized as the worldwide authority on corrosion control in the pipeline industry. NACE International standards provide guidance on the types of corrosion-resistant steels and alloys that can be used in oil and natural gas production and treatment applications where sulfide-induced stress corrosion cracking may be a risk. Similarly, Norsok standards, material requirements developed by the Norwegian petroleum industry, help enhance safety and optimize costs for petroleum industry capital development projects and operations.

➤ [Learn more](#) about these standards and how Swagelok fluid system components are designed for corrosion-resistant performance.



### Field Engineering

Swagelok offers more than just fluid system components. We can also provide the engineering expertise to help develop effective responses to your most pressing fluid system challenges. When you need assistance, our field engineers work with you through your local Swagelok® sales and service center. They can help you determine how to continuously meet tougher regulatory demands related to safety and emissions, increase productivity and yields from your fluid systems, reduce operating costs throughout your facilities, and maintain and maximize overall profitability.

➤ [Learn more](#) about our field engineering team and how we can help you overcome a variety of challenges.

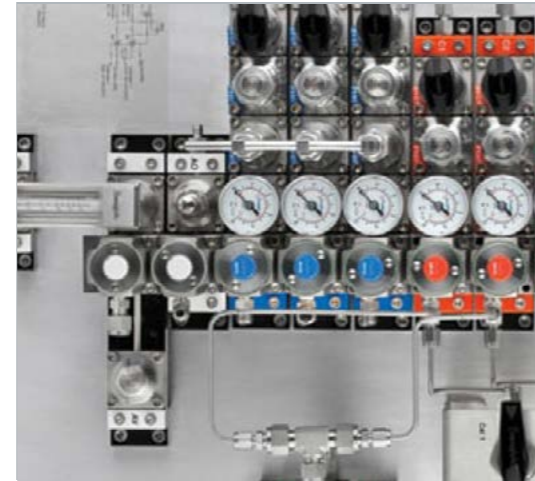


### Onsite Services

With Swagelok® onsite services, we bring our technical expertise, application experience, and industry knowledge to your operations. Our field engineers can visit your facility, evaluate your fluid or sampling systems, advise on installation practices, and recommend system enhancements to address current or potential issues. By working with our specialists, you'll gain insights on how to improve the performance, productivity, reliability, and safety of your fluid systems — while reducing costs and mitigating environmental risks.

➤ [Learn more](#) about how you can more effectively achieve your goals with Swagelok onsite services.





### Custom Solutions

If you're short on manpower, Swagelok can fabricate, assemble, and test your fluid system assemblies for you. Whether you need a small assembly with a few components or a complete panel or enclosure, our team of experts is here to help. Swagelok® Custom Solutions not only include our high-quality fluid-system components, but also can incorporate wiring, automation, transmitters, relays, pumps, and more.

➤ [Learn more](#) about how we can help improve your operations with our reliably designed and constructed fluid system assemblies.

### Grab Sampling Systems

Safely capture representative samples of liquid or gas from your process lines with a Swagelok® grab sampling system. We offer a variety of system configurations to meet the unique needs of your application. Our closed-loop sampling systems deliver pressurized samples into pressure-rated cylinders, while liquid grab sampling systems allow you to collect process fluid into glass laboratory bottles for analysis. Every Swagelok sampling panel is safe, intuitive, easy to maintain, and can be ordered as a single part number.

➤ [Learn more](#) about how you can prevent overfilling and overpressure conditions with a Swagelok grab sampling system — and discover which system is right for you.

### Mechanical Seal Support Systems

Keep your rotating equipment operating efficiently with Swagelok® mechanical seal support systems. Our seal support kits and assemblies are available in a variety of American Petroleum Institute (API) plan configurations. Each is assembled according to API 682 standards — minimizing the number of connections and pipe threads, which can help you avoid costly leaks. By reducing the number of potential leak points in your fluid system, Swagelok mechanical seal support systems can help you minimize downtime, reduce costs, and save time.

➤ [Learn more](#) about how our well-designed seal support systems can help you simplify fluid system maintenance.

### Gas Distribution Systems

When you need to deliver gases from a high-pressure source, Swagelok can design and assemble a gas delivery system that's right for you. We offer four types of modular gas distribution systems: Swagelok® source inlet, Swagelok® gas panel, Swagelok® changeover, and Swagelok® point-of-use. Each is built with specific pressure regulation in mind, enabling you to deliver gases at your application's specified pressure and flow rate. Our gas delivery systems can be ordered as a standard solution or customized to meet your project requirements.

➤ [Learn more](#) about how Swagelok® gas distribution systems can help you improve workplace safety, increase uptime, and reduce system maintenance.

### Analytical Subsystems (PrESS)

Swagelok® pre-engineered subsystems (PrESS) are designed for analytical applications in all types of plants and facilities where liquids and gases are processed. We offer five types of subsystems: calibrating and switching modules, fast loop modules, field station modules, fluid distribution headers, and sample probe modules. Each is designed and assembled by our fluid system specialists to be compact, accurate, and convenient to use. Swagelok pre-engineered subsystems are easy to install and operate, allowing you to create fully documented fluid sampling and control systems with minimal effort.

➤ [Learn more](#) about how you can bring consistency to your operations while delivering accurate analytical results.





### Business Support Services

We offer holistic solutions for your fluid systems through our combination of industry-leading products, onsite services, design and assembly services, and training. Thanks to our global network of more than 200 authorized sales and service center locations across 70 countries, we can also provide business support services to improve the efficiency of your operations — helping you lower costs while increasing product availability.

➤ [Learn more](#) about the benefits of our business support services, including our B2B purchasing support, inventory management, product consulting, and more.



### Global Construction Services

When it comes to managing any large-scale construction project, coordination is critical to success. Swagelok offers a comprehensive package of premium products and services, project management support, and global resources to holistically support international construction projects involving industrial fluid systems.

➤ [Learn more](#) about how our team can help complete your next project on time and on budget by leveraging our extensive application, engineering, and materials expertise.



### Transforming the Future of Energy

Environmental stewardship and greenhouse gas (GHG) emissions reduction has never been a larger priority for many industrial companies. Facility owners, engineering firms, and suppliers are discussing how to reduce scope 1, 2, and 3 emissions to align with environmental, social, and governance (ESG) performance goals. If emissions reduction is a priority, Swagelok fluid system specialists can start by suggesting leak-tight fluid system components such as certified low-emission valves that help protect your people, profitability, and the planet. They can also provide insights on how to avoid fugitive emissions by recommending alternative system design choices.

➤ [Learn more](#) about how we can help companies that invest directly in the energy transition economy.



## Swagelok® K Series Pressure Regulators

Swagelok® pressure regulators provide the consistent, accurate, and lasting performance industrial professionals need to operate fluid systems safely, reliably, and cost-effectively.

### These valves include:

- Back-pressure and pressure-reducing models
- Gas cylinder changeover model

Refer to our [K Series Pressure Regulator web page](#) for product ratings, materials of construction, dimensions, and additional information.

Products listed on this page have the shortest lead time. However, this doesn't mean that you don't have access to the entire Swagelok product catalog. A dedicated team of global construction specialists can help you choose from the tens of thousands of Swagelok-manufactured products and materials of construction, including assembled-to-order and engineered-to-order part numbers. Contact your local sales and service center for additional options.

Series	Description	Ordering Number
<b>KBP (back pressure)</b>	Stainless steel back-pressure regulator, 0 to 250 psig (17.2 bar), A configuration, FKM seat, 1/4 in. female NPT, 0.20 Cv	<a href="#">KBP1G0A4A5A20000</a>
	Stainless steel back-pressure regulator, 0 to 100 psig (6.8 bar), D configuration, FKM seat, 1/4 in. female NPT, 0.20 Cv	<a href="#">KBP1F0D4A5A20000</a>
	Stainless steel back-pressure regulator, 0 to 500 psig (34.4 bar), A configuration, FKM seat, 1/4 in. female NPT, 0.20 Cv	<a href="#">KBP1J0A4A5A20000</a>
<b>KPR (pressure reducing)</b>	Stainless steel pressure-reducing regulator, 0 to 100 psig (6.8 bar), 500 psig (34.4 bar) inlet, C configuration, PCTFE seat, 1/4 in. female NPT, 0.06 Cv	<a href="#">KPR1FJC412A20000</a>
	Stainless steel pressure-reducing regulator, 0 to 25 psig (1.7 bar), 100 psig (6.8 bar) inlet, C configuration, PCTFE seat, 1/4 in. female NPT, 0.06 Cv	<a href="#">KPR1DFC412A20000</a>
	Stainless steel pressure-reducing regulator, 0 to 100 psig (6.8 bar), 3600 psig (248 bar) inlet, F configuration, PCTFE seat, 1/4 in. female NPT, 0.06 Cv	<a href="#">KPR1FRF412A20000</a>
	Stainless steel pressure-reducing regulator, 0 to 250 psig (17.2 bar), 3600 psig (248 bar) inlet, F configuration, PCTFE seat, 1/4 in. female NPT, 0.06 Cv	<a href="#">KPR1GRF412A20000</a>
	Stainless steel pressure-reducing regulator, 0 to 500 psig (34.4 bar), 3600 psig (248 bar) inlet, E configuration, PCTFE Seat, 1/4 in. FNPT, 0.06 Cv	<a href="#">KPR1JRE412A20000</a>
	Stainless steel pressure-reducing regulator, 0 to 100 psig (6.8 bar), 500 psig (34.4 bar) inlet, F configuration, PCTFE seat, 1/4 in. female NPT, 0.06 Cv	<a href="#">KPR1FJF412A20000</a>
	Stainless steel 2-stage pressure-reducing regulator, 0 to 50 psig (3.4 bar), F configuration, PCTFE seat 1/4 in. female NPT, 0.06 Cv	<a href="#">KCY1ERF412A20000</a>
<b>KCY (two-stage)</b>	Stainless steel 2-stage pressure-reducing regulator, 0 to 100 psig (6.8 bar), F configuration, PCTFE seat, 1/4 in. female NPT, 0.06 Cv	<a href="#">KCY1FRF412A20000</a>





## Swagelok® Ball Valves

Ball valves can be used to control system flow in a variety of capital project applications ranging from general purpose to alternative fuel service to control system flow. Swagelok ball valves can be manufactured or configured to a wide range of specifications.

### Swagelok® GB Series General Purpose Ball Valve

The GB series full-bore, full-flow general purpose ball valve offers industry-leading performance in applications including hydraulic, injection, fire suppression systems, isolation for compressed natural gas (CNG) vehicle infrastructure, and in highly corrosive alkylation operations. The GB series ball valve provides value by reducing the time and cost required to install and verify the performance of components used in high-flow industrial applications.

**These valves feature:**

- Working pressures up to 6000 psig (413 bar) with temperatures from -40° to 250°F (-40° to 121°C)
- Mechanically locked end screw design (patent pending) to provide increased safety
- Optional API 607 certification for fire-safe applications and NACE MR0175/ISO 15156 certification for sour gas

Refer to our [GB Series Ball Valve web page](#) for product ratings, materials of construction, dimensions, and additional information.



Configuration	Description	Ordering Number
<b>8GB valve with 3/8 in. bore</b>	Stainless steel 8GB valve, 3/8 in. Swagelok tube fitting	<a href="#">SS-8GBS6</a>
<b>8GB valve with 1/2 in. bore</b>	Stainless steel 8GB valve, 1/2 in. Swagelok tube fittings	<a href="#">SS-8GBS8</a>
	Stainless steel 8GB valve, 3/4 in. Swagelok tube fittings	<a href="#">SS-8GBS12</a>
<b>16GB valve with 7/8 in. bore</b>	Stainless steel 16GB valve, 3/4 in. Swagelok tube fittings	<a href="#">SS-16GBS12</a>
	Stainless steel 16GB valve, 1 in. Swagelok tube fittings	<a href="#">SS-16GBS16</a>

Products listed on this page have the shortest lead time. However, this doesn't mean that you don't have access to the entire Swagelok product catalog. A dedicated team of global construction specialists can help you choose from the tens of thousands of Swagelok-manufactured products and materials of construction, including assembled-to-order and engineered-to-order part numbers. Contact your local sales and service center for additional options.

## Swagelok® 60 Series Three-Piece Process Instrumentation Ball Valves

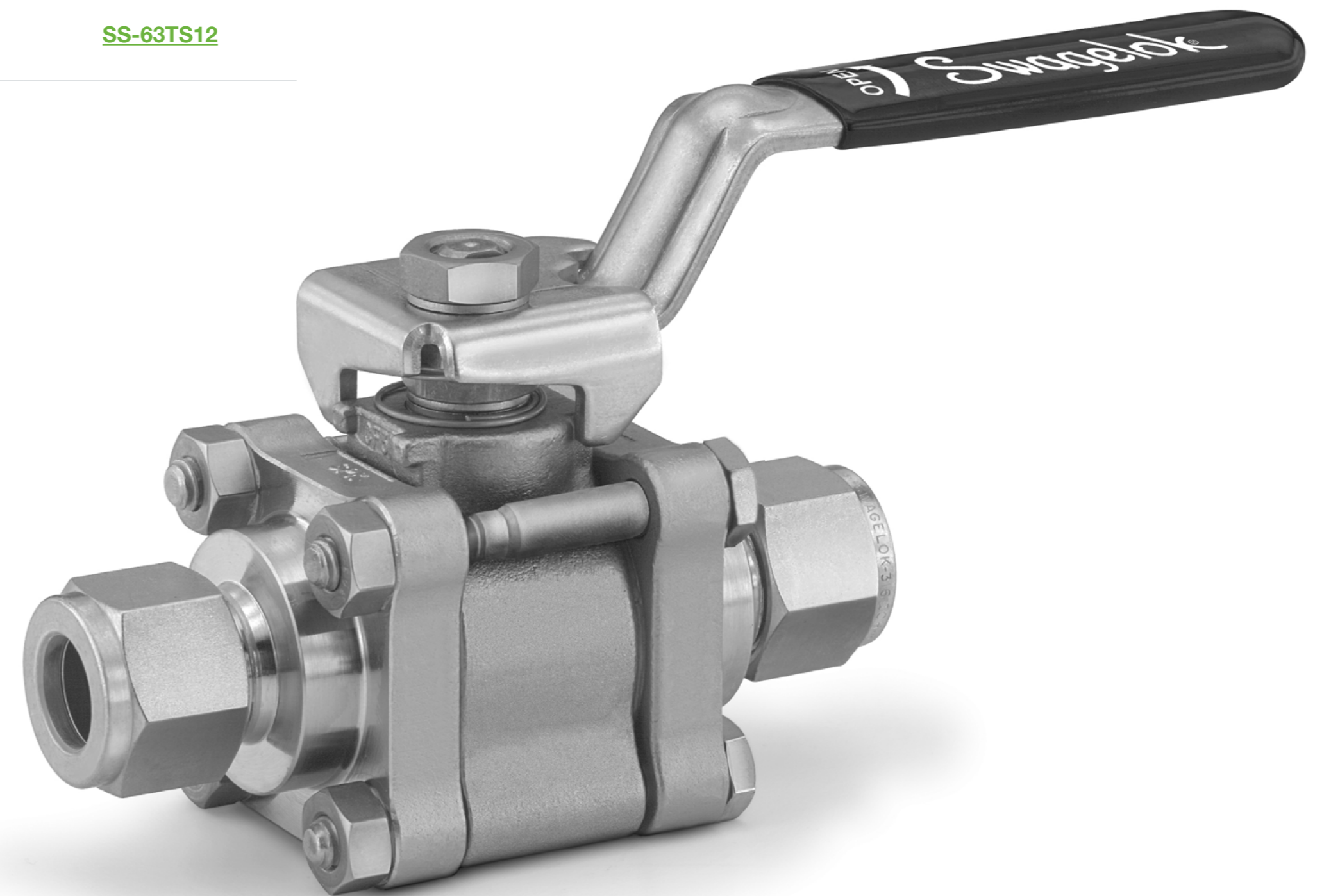
With a coned-disc, spring-loaded seat; live-loaded, two-piece chevron stem packing; and three-piece, swing-out design, our 60 series three-piece process instrumentation ball valves are designed for reliability and low maintenance.

### These valves feature:

- Quarter-turn actuation
- Wide selection of seat materials
- Pneumatic and electric actuators
- Optional vent porting
- Available low emissions certification per API 641

Refer to our [60 Series Ball Valve web page](#) for product ratings, materials of construction, dimensions, and additional information.

Series	Description	Ordering Number
62	Stainless steel 3-piece 60 series ball valve, reinforced PTFE seats, 1/4 in. Swagelok tube fitting	<a href="#">SS-62TS4</a>
	Stainless steel 3-piece 60 series ball valve, reinforced PTFE seats, 3/8 in. Swagelok tube fitting	<a href="#">SS-62TS6</a>
63	Stainless steel 3-piece 60 series ball valve, reinforced PTFE seats, 1/2 in. Swagelok tube fitting	<a href="#">SS-63TS8</a>
	Stainless steel 3-piece 60 series ball valve, reinforced PTFE seats, 3/4 in. Swagelok tube fitting	<a href="#">SS-63TS12</a>



Products listed on this page have the shortest lead time. However, this doesn't mean that you don't have access to the entire Swagelok product catalog. A dedicated team of global construction specialists can help you choose from the tens of thousands of Swagelok-manufactured products and materials of construction, including assembled-to-order and engineered-to-order part numbers. Contact your local sales and service center for additional options.

## Swagelok® 83 Series Three-Piece Trunnion-Style Ball Valves

Our trunnion-style 83 series ball valves provide durable service in high- and low-pressure applications. They feature a compact, maximum-flow design, low operating torque, wide temperature range, and can be ordered with ECE R110-type approval.

### These valves feature:

- Compact, maximum-flow design
- Two- or three-way flow patterns
- Panel mounting

Refer to our [83 Series Ball Valve web page](#) for product ratings, materials of construction, dimensions, and additional information.

Series	Description	Ordering Number
83	Stainless steel 3-piece trunnion-style ball valve, PCTFE seats, 2-way straight pattern, 1/4 in. Swagelok tube fitting	<a href="#">SS-83KS4</a>
	Stainless steel 3-piece trunnion-style ball valve, PCTFE seats, 2-way straight pattern, 3/8 in. Swagelok tube fitting	<a href="#">SS-83KS6</a>
	Stainless steel 3-piece trunnion-style ball valve, PCTFE seats, 2-way straight pattern, 1/2 in. Swagelok tube fitting	<a href="#">SS-83KS8</a>
	Stainless steel 3-piece trunnion-style ball valve, PCTFE seats, 3-way switching, 1/4 in. Swagelok tube fitting	<a href="#">SS-83XKS4</a>
	Stainless steel 3-piece trunnion-style ball valve, PCTFE seats, 3-way switching, 3/8 in. Swagelok tube fitting	<a href="#">SS-83XKS6</a>
	Stainless steel 3-piece trunnion-style ball valve, PCTFE seats, 3-way switching, 1/2 in. Swagelok tube fitting	<a href="#">SS-83XKS8</a>



Products listed on this page have the shortest lead time. However, this doesn't mean that you don't have access to the entire Swagelok product catalog. A dedicated team of global construction specialists can help you choose from the tens of thousands of Swagelok-manufactured products and materials of construction, including assembled-to-order and engineered-to-order part numbers. Contact your local sales and service center for additional options.

## Swagelok® FKB Series Ball Valves

Swagelok® medium-pressure ball valves provide positive shutoff in applications up to 20 000 psig (1378 bar) and feature an advanced design that reduces seal wear, improving reliability.

### These valves include:

- Low-torque, quarter-turn operation in a compact design
- Flow coefficients (Cv) from 0.44 to 11.3
- ISO 5211-compliant pneumatic actuators

Refer to our [FKB Series web page](#) for product ratings, materials of construction, dimensions, and additional information.

Series	Description	Ordering Number
6FKB	Stainless Steel Medium-Pressure (20 000 psig [1378 bar]) Ball Valve, PEEK Seats, 1/4 in. Medium-Pressure Tube Fitting, 0.209 in. (5.31 mm) Orifice	<a href="#">SS-6FKBFK4</a>
	Stainless Steel Medium-Pressure (20 000 psig [1378 bar]) Ball Valve, PEEK Seats, 3/8 in. Medium-Pressure Tube Fitting, 0.209 in. (5.31 mm) Orifice	<a href="#">SS-6FKBFK4</a>
	Stainless Steel Medium-Pressure (20 000 psig [1378 bar]) Ball Valve, PEEK Seats, 1/2 in. Medium-Pressure Tube Fitting, 0.209 in. (5.31 mm) Orifice	<a href="#">SS-6FKBFK8</a>
	Stainless Steel Medium-Pressure (20 000 psig [1378 bar]) Ball Valve, PEEK Seats, 1/4 in. Medium-Pressure Tube Fitting, 0.209 in. (5.31 mm) Orifice, 3-Way Switching	<a href="#">SS-6FKBXFK4</a>
	Stainless Steel Medium-Pressure (20 000 psig [1378 bar]) Ball Valve, PEEK Seats, 3/8 in. Medium-Pressure Tube Fitting, 0.209 in. (5.31 mm) Orifice, 3-Way Switching	<a href="#">SS-6FKBXFK6</a>
	Stainless Steel Medium-Pressure (20 000 psig [1378 bar]) Ball Valve, PEEK Seats, 1/2 in. Medium-Pressure Tube Fitting, 0.209 in. (5.31 mm) Orifice, 3-Way Switching	<a href="#">SS-6FKBXFK8</a>



Products listed on this page have the shortest lead time. However, this doesn't mean that you don't have access to the entire Swagelok product catalog. A dedicated team of global construction specialists can help you choose from the tens of thousands of Swagelok-manufactured products and materials of construction, including assembled-to-order and engineered-to-order part numbers. Contact your local sales and service center for additional options.



## Swagelok® Needle Valves

Needle valves provide reliable flow control for a range of applications using a variety of stem designs, flow patterns, materials, and end connections in designs such as integral-bonnet and union-bonnet.

### Swagelok® N Series Severe-Service Needle Valves

Needle valves with union-bonnet construction are available in a variety of materials, with working pressures up to 10 000 psig (689 bar) and temperatures up to 1200°F (648°C).

**These valves feature:**

- Available low emissions certification per API 641

Refer to our [N Series Severe-Service Union-Bonnet Needle Valve web page](#) for product ratings, materials of construction, dimensions, and additional information.

Series	Description	Ordering Number
3N	Stainless steel severe-service union bonnet needle valve, 0.35 Cv, 1/4 in. Swagelok tube fitting, ball stem	<a href="#">SS-3NBS4</a>
	Stainless steel severe-service union bonnet needle valve, 0.35 Cv, 1/4 in. Swagelok tube fitting, regulating stem	<a href="#">SS-3NRS4</a>
6N	Stainless steel severe-service union bonnet needle valve, 0.86 Cv, 3/8 in. Swagelok tube fitting, ball stem	<a href="#">SS-6NBS6</a>
	Stainless steel severe-service union bonnet needle valve, 0.86 Cv, 1/2 in. Swagelok tube fitting, ball stem	<a href="#">SS-6NBS8</a>
	Stainless steel severe-service union bonnet needle valve, 0.86 Cv, 1/2 in. Swagelok tube fitting, regulating stem	<a href="#">SS-6NRS8</a>
	Stainless steel severe-service union bonnet needle valve, 2.1 Cv, 1/2 in. Swagelok tube fitting, ball stem	<a href="#">SS-12NBS8</a>
12N	Stainless steel severe-service union bonnet needle valve, 2.4 Cv, 3/4 in. Swagelok tube fitting, ball stem	<a href="#">SS-12NBS12</a>
	Stainless steel severe-service union bonnet needle valve, 2.4 Cv, 1 in. Swagelok tube fitting, ball stem	<a href="#">SS-12NBS16</a>
	Stainless steel severe-service union bonnet needle valve, 2.1 Cv, 1/2 in. Swagelok tube fitting, regulating stem	<a href="#">SS-12NRS8</a>
	Stainless steel severe-service union bonnet needle valve, 2.4 Cv, 3/4 in. Swagelok tube fitting, regulating stem	<a href="#">SS-12NRS12</a>
	Stainless steel severe-service union bonnet needle valve, 2.1 Cv, 1/2 in. Swagelok tube fitting, ball stem	<a href="#">SS-12NBS8</a>
	Stainless steel severe-service union bonnet needle valve, 2.4 Cv, 3/4 in. Swagelok tube fitting, regulating stem	<a href="#">SS-12NRS12</a>



Products listed on this page have the shortest lead time. However, this doesn't mean that you don't have access to the entire Swagelok product catalog. A dedicated team of global construction specialists can help you choose from the tens of thousands of Swagelok-manufactured products and materials of construction, including assembled-to-order and engineered-to-order part numbers. Contact your local sales and service center for additional options.



## Swagelok® Integral-Bonnet Needle Valves (0, 1, 18 Series)

Integral-bonnet needle valves are compact needle valves available in a full range of sizes, configurations, and materials for a variety of applications.

### These valves feature:

- Live-loaded packing system
- Compact design
- Working pressures up to 6000 psig (413 bar)
- Temperatures up to 600°F (315°C)

Refer to our [Integral-Bonnet Needle Valves web page](#) for product ratings, materials of construction, dimensions, and additional information.

Series	Description	Ordering Number
0	Stainless steel integral-bonnet needle valve, 0.09 Cv, 1/8 in. Swagelok tube fitting, regulating stem	<a href="#">SS-ORS2</a>
	Stainless steel integral-bonnet needle valve, 0.37 Cv, 1/4 in. Swagelok tube fitting, regulating stem	<a href="#">SS-1RS4</a>
1	Stainless steel integral-bonnet needle valve, 0.73 Cv, 3/8 in. Swagelok tube fitting, regulating stem	<a href="#">SS-1RS6</a>
	Stainless steel integral-bonnet needle valve, 0.73 Cv, 1/2 in. Swagelok tube fitting, regulating stem	<a href="#">SS-1RS8</a>
18	Stainless steel integral-bonnet needle valve, 1.80 Cv, 1/2 in. Swagelok tube fitting, regulating stem	<a href="#">SS-18RS8</a>
	Stainless steel integral-bonnet needle valve, 1.80 Cv, 3/4 in. Swagelok tube fitting, regulating stem	<a href="#">SS-18RS12</a>



Products listed on this page have the shortest lead time. However, this doesn't mean that you don't have access to the entire Swagelok product catalog. A dedicated team of global construction specialists can help you choose from the tens of thousands of Swagelok-manufactured products and materials of construction, including assembled-to-order and engineered-to-order part numbers. Contact your local sales and service center for additional options.

## Swagelok® CH Series Check Valves

Control back flow in general-service applications with our CH series check valves available in a range of adjustable and fixed cracking pressures.

### These valves feature:

- Working pressures up to 6000 psig (413 bar)
- Adjustable and fixed cracking pressures
- A variety of end connections
- 316 stainless steel and brass materials

Refer to our [Check Valve web page](#) for product ratings, materials of construction, dimensions, and additional information.



Products listed on this page have the shortest lead time. However, this doesn't mean that you don't have access to the entire Swagelok product catalog. A dedicated team of global construction specialists can help you choose from the tens of thousands of Swagelok-manufactured products and materials of construction, including assembled-to-order and engineered-to-order part numbers. Contact your local sales and service center for additional options.

End Connection Size	Description	Ordering Number
1/8 in.	Stainless steel poppet 6000 psig (413 bar) check valve, 1/8 in. Swagelok tube fitting, 1/3 psig (0.03 bar)	<a href="#">SS-CHS2-1/3</a>
	Stainless steel poppet 6000 psig (413 bar) check valve, 1/8 in. Swagelok tube fitting, 1 psig (0.07 bar)	<a href="#">SS-CHS2-1</a>
	Stainless steel poppet 6000 psig (413 bar) check valve, 1/8 in. Swagelok tube fitting, 5 psig (0.35 bar)	<a href="#">SS-CHS2-5</a>
	Stainless steel poppet 6000 psig (413 bar) check valve, 1/8 in. Swagelok tube fitting, 10 psig (0.69 bar)	<a href="#">SS-CHS2-10</a>
1/4 in.	Stainless steel poppet 6000 psig (413 bar) check valve, 1/4 in. Swagelok tube fitting, 1/3 psig (0.03 bar)	<a href="#">SS-CHS4-1/3</a>
	Stainless steel poppet 6000 psig (413 bar) check valve, 1/4 in. Swagelok tube fitting, 1 psig (0.07 bar)	<a href="#">SS-CHS4-1</a>
	Stainless steel poppet 6000 psig (413 bar) check valve, 1/4 in. Swagelok tube fitting, 5 psig (0.35 bar)	<a href="#">SS-CHS4-5</a>
	Stainless steel poppet 6000 psig (413 bar) check valve, 1/4 in. Swagelok tube fitting, 10 psig (0.69 bar)	<a href="#">SS-CHS4-10</a>
3/8 in.	Stainless steel poppet 6000 psig (413 bar) check valve, 3/8 in. Swagelok tube fitting, 1/3 psig (0.03 bar)	<a href="#">SS-CHS6-1/3</a>
	Stainless steel poppet 6000 psig (413 bar) check valve, 3/8 in. Swagelok tube fitting, 1 psig (0.07 bar)	<a href="#">SS-CHS6-1</a>
	Stainless steel poppet 6000 psig (413 bar) check valve, 3/8 in. Swagelok tube fitting, 5 psig (0.35 bar)	<a href="#">SS-CHS6-5</a>
	Stainless steel poppet 6000 psig (413 bar) check valve, 3/8 in. Swagelok tube fitting, 10 psig (0.69 bar)	<a href="#">SS-CHS6-10</a>

End Connection Size	Description	Ordering Number
1/2	Stainless steel poppet 6000 psig (413 bar) check valve, 1/2 in. Swagelok tube fitting, 1/3 psig (0.03 bar)	<a href="#">SS-CHS8-1/3</a>
	Stainless steel poppet 6000 psig (413 bar) check valve, 1/2 in. Swagelok tube fitting, 1 psig (0.07 bar)	<a href="#">SS-CHS8-1</a>
	Stainless steel poppet 6000 psig (413 bar) check valve, 1/2 in. Swagelok tube fitting, 5 psig (0.35 bar)	<a href="#">SS-CHS8-5</a>
	Stainless steel poppet 6000 psig (413 bar) check valve, 1/2 in. Swagelok tube fitting, 10 psig (0.69 bar)	<a href="#">SS-CHS8-10</a>
3/4	Stainless steel poppet 5000 psig (344 bar) check valve, 3/4 in. Swagelok tube fitting, 1/3 psig (0.03 bar)	<a href="#">SS-CHS12-1/3</a>
	Stainless steel poppet 5000 psig (344 bar) check valve, 3/4 in. Swagelok tube fitting, 1 psig (0.07 bar)	<a href="#">SS-CHS12-1</a>
	Stainless steel poppet 5000 psig (344 bar) check valve, 3/4 in. Swagelok tube fitting, 5 psig (0.35 bar)	<a href="#">SS-CHS12-5</a>
	Stainless steel poppet 5000 psig (344 bar) check valve, 3/4 in. Swagelok tube fitting, 10 psig (0.69 bar)	<a href="#">SS-CHS12-10</a>
1	Stainless steel poppet 4700 psig (323 bar) check valve, 1 in. Swagelok tube fitting, 1/3 psig (0.03 bar)	<a href="#">SS-CHS16-1/3</a>
	Stainless steel poppet 4700 psig (323 bar) check valve, 1 in. Swagelok tube fitting, 1 psig (0.07 bar)	<a href="#">SS-CHS16-1</a>
	Stainless steel poppet 4700 psig (413 bar) check valve, 1 in. Swagelok tube fitting, 5 psig (0.35 bar)	<a href="#">SS-CHS16-5</a>
	Stainless steel poppet 4700 psig (323 bar) check valve, 1 in. Swagelok tube fitting, 10 psig (0.69 bar)	<a href="#">SS-CHS16-10</a>



## Swagelok® Tube Fittings

Our tube fittings deliver a leak-tight, gas-tight seal that is resistant to vibration fatigue, even in harsh environments or stressful applications. They withstand high pressures and temperature extremes and are easy to install, disassemble, and reassemble in a variety of situations. Swagelok tube fittings can be used on thick- or thin-walled, hard or soft tubing and resist the effects of pressure and thermal cycling.

### These fittings feature:

- Availability in tube sizes from 1/16 to 2 in. and 2 to 50 mm
- Consistent gaugeability upon initial installation
- Easy disassembly and reassembly
- A wide variety of materials and configurations
- Demonstrated reliability and performance

Refer to our [▶ Tube Fitting web page](#) for product ratings, materials of construction, dimensions, and additional information.

Products listed on this page have the shortest lead time. However, this doesn't mean that you don't have access to the entire Swagelok product catalog. A dedicated team of global construction specialists can help you choose from the tens of thousands of Swagelok-manufactured products and materials of construction, including assembled-to-order and engineered-to-order part numbers. Contact your local sales and service center for additional options.

## Alloy 2507 Swagelok® Tube Fittings

All alloy 2507 products listed in the following tables are compliant with Norsok and NACE MR0175/ISO 15156, as indicated by the -SG2 suffix in the ordering number.

Refer to our [▶ Alloy 2507 Tube Fitting web page](#) for product ratings, materials of construction, dimensions, and additional information.



## 6-Moly Swagelok® Tube Fittings

All 6-Moly products listed in the following tables are compliant with Norsok and NACE MR0175/ISO 15156.

Refer to our [▶ 6-Moly Tube Fitting web page](#) for product ratings, materials of construction, dimensions, and additional information.





## 316 Stainless Steel

Tube OD, In.	Description	Ordering Number
1/4	Male connector, 1/4 to 1/8 in.	<a href="#">SS-400-1-2</a>
	Male connector	<a href="#">SS-400-1-4</a>
	Male connector, 1/4 to 1/2 in.	<a href="#">SS-400-1-8</a>
	90° male elbow	<a href="#">SS-400-2-4</a>
	Tee, union	<a href="#">SS-400-3</a>
	Straight, union	<a href="#">SS-400-6</a>
	Female connector	<a href="#">SS-400-7-4</a>
	Elbow, union	<a href="#">SS-400-9</a>
	Bulkhead union	<a href="#">SS-400-61</a>
	Cap	<a href="#">SS-400-C</a>
	Plug	<a href="#">SS-400-P</a>
	Reducer, 1/2 to 1/4 in.	<a href="#">SS-400-R-8</a>
	3/8	Male connector, 3/8 to 1/4 in.
Male connector		<a href="#">SS-600-1-6</a>
Male connector, 3/8 to 1/2 in.		<a href="#">SS-600-1-8</a>
90° male elbow, 3/8 to 1/4 in.		<a href="#">SS-600-2-4</a>
Tee, union		<a href="#">SS-600-3</a>
Straight, union		<a href="#">SS-600-6</a>
Female connector, 3/8 to 1/4 in.		<a href="#">SS-600-7-4</a>
Elbow, union		<a href="#">SS-600-9</a>
Bulkhead union		<a href="#">SS-600-61</a>
Cap		<a href="#">SS-600-C</a>
Plug		<a href="#">SS-600-P</a>
Reducer, 1/2 to 3/8 in.		<a href="#">SS-600-R-8</a>

Tube OD, In.	Description	Ordering Number
1/2	Male connector, 1/2 to 1/4 in.	<a href="#">SS-810-1-4</a>
	Male connector	<a href="#">SS-810-1-8</a>
	Male connector, 1/2 to 3/4 in.	<a href="#">SS-810-1-12</a>
	90° male elbow, 1/2 to 1/4 in.	<a href="#">SS-810-2-4</a>
	90° male elbow	<a href="#">SS-810-2-8</a>
	Tee, union	<a href="#">SS-810-3</a>
	Straight, union	<a href="#">SS-810-6</a>
	Straight, union, 1/2 to 3/8 in.	<a href="#">SS-810-6-6</a>
	Female connector	<a href="#">SS-810-7-8</a>
	Elbow, union	<a href="#">SS-810-9</a>
	Bulkhead union	<a href="#">SS-810-61</a>
	Cap	<a href="#">SS-810-C</a>
	Plug	<a href="#">SS-810-P</a>
3/4	Male connector, 3/4 to 1/2 in.	<a href="#">SS-1210-1-8</a>
	Male connector	<a href="#">SS-1210-1-12</a>
	90° male elbow, 3/4 to 1/2 in.	<a href="#">SS-1210-2-8</a>
	90° male elbow	<a href="#">SS-1210-2-12</a>
	Tee, union	<a href="#">SS-1210-3</a>
	Straight, union	<a href="#">SS-1210-6</a>
	Straight, union, 3/4 to 1/2 in.	<a href="#">SS-1210-6-8</a>
	Female connector, 3/4 to 1/2 in.	<a href="#">SS-1210-7-8</a>
	Female connector	<a href="#">SS-1210-7-12</a>
	Elbow, union	<a href="#">SS-1210-9</a>
	Bulkhead union	<a href="#">SS-1210-61</a>
	Cap	<a href="#">SS-1210-C</a>
	Plug	<a href="#">SS-1210-P</a>

Tube OD, In.	Description	Ordering Number
1	Male connector, 1/2 to 1 in.	<a href="#">SS-1610-1-8</a>
	Male connector, 3/4 to 1 in.	<a href="#">SS-1610-1-12</a>
	Male connector	<a href="#">SS-1610-1-16</a>
	90° male elbow	<a href="#">SS-1610-2-16</a>
	Tee, union	<a href="#">SS-1610-3</a>
	Straight, union	<a href="#">SS-1610-6</a>
	Straight, union, 1/2 to 1 in.	<a href="#">SS-1610-6-8</a>
	Female connector, 1/2 to 1 in.	<a href="#">SS-1610-7-8</a>
	Female connector, 3/4 to 1 in.	<a href="#">SS-1610-7-12</a>
	Elbow, union	<a href="#">SS-1610-9</a>
	Bulkhead union	<a href="#">SS-1610-61</a>
	Cap	<a href="#">SS-1610-C</a>
	Plug	<a href="#">SS-1610-P</a>

Products listed on this page have the shortest lead time. However, this doesn't mean that you don't have access to the entire Swagelok product catalog. A dedicated team of global construction specialists can help you choose from the tens of thousands of Swagelok-manufactured products and materials of construction, including assembled-to-order and engineered-to-order part numbers. Contact your local sales and service center for additional options.



## Alloy 2507

Tube OD, In.	Description	Ordering Number
<b>1/4</b>	Male connector	<a href="#">2507-400-1-4-SG2</a>
	Male connector, 1/4 to 1/2 in.	<a href="#">2507-400-1-8-SG2</a>
	90° male elbow	<a href="#">2507-400-2-4-SG2</a>
	Tee, union	<a href="#">2507-400-3-SG2</a>
	Straight, union	<a href="#">2507-400-6-SG2</a>
	Female connector	<a href="#">2507-400-7-4-SG2</a>
	Elbow, union	<a href="#">2507-400-9-SG2</a>
	Bulkhead union	<a href="#">2507-400-61-SG2</a>
	Cap	<a href="#">2507-400-C-SG2</a>
	Plug	<a href="#">2507-400-P-SG2</a>
<b>3/8</b>	Reducer, 1/4 to 3/8 in.	<a href="#">2507-400-R-6-SG2</a>
	Male connector, 3/8 to 1/4 in.	<a href="#">2507-600-1-4-SG2</a>
	Male connector	<a href="#">2507-600-1-6-SG2</a>
	Male connector, 3/8 to 1/2 in.	<a href="#">2507-600-1-8-SG2</a>
	90° male elbow, 3/8 to 1/4 in.	<a href="#">2507-600-2-4-SG2</a>
	90° male elbow, 3/8 to 1/2 in.	<a href="#">2507-600-2-8-SG2</a>
	Tee, union	<a href="#">2507-600-3-SG2</a>
	Straight, union	<a href="#">2507-600-6-SG2</a>
	Female connector, 3/8 to 1/4 in.	<a href="#">2507-600-7-4-SG2</a>
	Elbow, union	<a href="#">2507-600-9-SG2</a>
<b>1/2</b>	Bulkhead union	<a href="#">2507-600-61-SG2</a>
	Cap	<a href="#">2507-600-C-SG2</a>
	Plug	<a href="#">2507-600-P-SG2</a>
	Reducer, 1/2 to 3/8 in.	<a href="#">2507-600-R-8-SG2</a>

Tube OD, In.	Description	Ordering Number
<b>1/2</b>	Male connector, 1/2 to 1/4 in.	<a href="#">2507-810-1-4-SG2</a>
	Male connector 1/2 to 3/8 in.	<a href="#">2507-810-1-6-SG2</a>
	Male connector	<a href="#">2507-810-1-8-SG2</a>
	90° male elbow	<a href="#">2507-810-2-8-SG2</a>
	Tee, union	<a href="#">2507-810-3-SG2</a>
	Straight, union	<a href="#">2507-810-6-SG2</a>
	Female connector	<a href="#">2507-810-7-8-SG2</a>
	Elbow, union	<a href="#">2507-810-9-SG2</a>
	Bulkhead union	<a href="#">2507-810-61-SG2</a>
	Cap	<a href="#">2507-810-C-SG2</a>
<b>3/4</b>	Plug	<a href="#">2507-810-P-SG2</a>
	Male connector, 3/4 to 1/2 in.	<a href="#">2507-1210-1-8-SG2</a>
	Male connector	<a href="#">2507-1210-1-12-SG2</a>
	90° male elbow, 3/4 to 1/2 in.	<a href="#">2507-1210-2-8-SG2</a>
	90° male elbow	<a href="#">2507-1210-2-12-SG2</a>
	Tee, union	<a href="#">2507-1210-3-SG2</a>
	Straight, union	<a href="#">2507-1210-6-SG2</a>
	Straight, union, 3/4 to 1/2 in.	<a href="#">2507-1210-6-8-SG2</a>
	Female connector, 3/4 to 1/2 in.	<a href="#">2507-1210-7-8-SG2</a>
	Female connector	<a href="#">2507-1210-7-12-SG2</a>
<b>1</b>	Elbow, union	<a href="#">2507-1210-9-SG2</a>
	Bulkhead union	<a href="#">2507-1210-61-SG2</a>
	Cap	<a href="#">2507-1210-C-SG2</a>
	Plug	<a href="#">2507-1210-P-SG2</a>

Tube OD, In.	Description	Ordering Number
<b>1</b>	Male connector, 1/2 to 1 in.	<a href="#">2507-1610-1-8-SG2</a>
	Male connector, 1/2 to 3/4 in.	<a href="#">2507-1610-1-12-SG2</a>
	Male connector	<a href="#">2507-1610-1-16-SG2</a>
	90° male elbow	<a href="#">2507-1610-2-16-SG2</a>
	Tee, union	<a href="#">2507-1610-3-SG2</a>
	Straight, union	<a href="#">2507-1610-6-SG2</a>
	Straight, union, 1/2 to 1 in.	<a href="#">2507-1610-6-8-SG2</a>
	Female connector, 3/4 to 1 in.	<a href="#">2507-1610-7-12-SG2</a>
	Female connector	<a href="#">2507-1610-7-16-SG2</a>
	Elbow, union	<a href="#">2507-1610-9-SG2</a>
<b>1</b>	Bulkhead union	<a href="#">2507-1610-61-SG2</a>
	Cap	<a href="#">2507-1610-C-SG2</a>
	Plug	<a href="#">2507-1610-P-SG2</a>

Products listed on this page have the shortest lead time. However, this doesn't mean that you don't have access to the entire Swagelok product catalog. A dedicated team of global construction specialists can help you choose from the tens of thousands of Swagelok-manufactured products and materials of construction, including assembled-to-order and engineered-to-order part numbers. Contact your local sales and service center for additional options.



## Alloy 6-Moly

Tube OD, In.	Description	Ordering Number
<b>1/4</b>	Male connector	<a href="#">6MO-400-1-4</a>
	Male connector, 1/4 to 1/2 in.	<a href="#">6MO-400-1-8</a>
	Tee, union	<a href="#">6MO-400-3</a>
	Straight, union	<a href="#">6MO-400-6</a>
	Elbow, union	<a href="#">6MO-400-9</a>
	Bulkhead union	<a href="#">6MO-400-61</a>
	Cap	<a href="#">6MO-400-C</a>
	Plug	<a href="#">6MO-400-P</a>
<b>3/8</b>	Male connector	<a href="#">6MO-600-1-4</a>
	Male connector, 3/8 to 1/2 in.	<a href="#">6MO-600-1-8</a>
	90° male elbow, 3/8 to 1/4 in.	<a href="#">6MO-600-2-4</a>
	Tee, union	<a href="#">6MO-600-3</a>
	Straight, union	<a href="#">6MO-600-6</a>
	Elbow, union	<a href="#">6MO-600-9</a>
	Bulkhead union	<a href="#">6MO-600-61</a>
	Cap	<a href="#">6MO-600-C</a>
	Plug	<a href="#">6MO-600-P</a>

Tube OD, In.	Description	Ordering Number
<b>1/2</b>	Male connector, 1/2 to 1/4 in.	<a href="#">6MO-810-1-4</a>
	Male connector	<a href="#">6MO-810-1-8</a>
	90° male elbow, 1/2 to 1/4 in.	<a href="#">6MO-810-2-4</a>
	90° male elbow	<a href="#">6MO-810-2-8</a>
	Tee, union	<a href="#">6MO-810-3</a>
	Straight, union	<a href="#">6MO-810-6</a>
	Female connector	<a href="#">6MO-810-7-8</a>
	Elbow, union	<a href="#">6MO-810-9</a>
	Bulkhead union	<a href="#">6MO-810-61</a>
	Cap	<a href="#">6MO-810-C</a>
<b>3/4</b>	Plug	<a href="#">6MO-810-P</a>
	Male connector, 3/4 to 1/2 in.	<a href="#">6MO-1210-1-8</a>
	Male connector	<a href="#">6MO-1210-1-12</a>
	90° male elbow, 3/4 to 1/2 in.	<a href="#">6MO-1210-2-8</a>
	90° male elbow	<a href="#">6MO-1210-2-12</a>
	Tee, union	<a href="#">6MO-1210-3</a>
	Straight, union	<a href="#">6MO-1210-6</a>
	Straight, union, 3/4 to 1/2 in.	<a href="#">6MO-1210-6-8</a>
	Female connector, 3/4 to 1/2 in.	<a href="#">6MO-1210-7-8</a>
	Female connector	<a href="#">6MO-1210-7-12</a>
	Elbow, union	<a href="#">6MO-1210-9</a>
	Bulkhead union	<a href="#">6MO-1210-61</a>
	Cap	<a href="#">6MO-1210-C</a>
	Plug	<a href="#">6MO-1210-P</a>

Tube OD, In.	Description	Ordering Number
<b>1</b>	Male connector, 1/2 to 1 in.	<a href="#">6MO-1610-1-8</a>
	Male connector, 1/2 to 3/4 in.	<a href="#">6MO-1610-1-12</a>
	Male connector	<a href="#">6MO-1610-1-16</a>
	90° male elbow	<a href="#">6MO-1610-2-16</a>
	Tee, union	<a href="#">6MO-1610-3</a>
	Straight, union	<a href="#">6MO-1610-6</a>
	Straight, union, 1/2 to 1 in.	<a href="#">6MO-1610-6-8</a>
	Female connector, 3/4 to 1 in.	<a href="#">6MO-1610-7-12</a>
	Female connector	<a href="#">6MO-1610-7-16</a>
	Elbow, union	<a href="#">6MO-1610-9</a>
	Bulkhead union	<a href="#">6MO-1610-61</a>
	Cap	<a href="#">6MO-1610-C</a>
Plug	<a href="#">6MO-1610-P</a>	

Products listed on this page have the shortest lead time. However, this doesn't mean that you don't have access to the entire Swagelok product catalog. A dedicated team of global construction specialists can help you choose from the tens of thousands of Swagelok-manufactured products and materials of construction, including assembled-to-order and engineered-to-order part numbers. Contact your local sales and service center for additional options.



## Swagelok® FK Series Fittings

Swagelok® medium-pressure tube fittings (FK Series) reduce installation time and lower assembly and maintenance costs, while providing a more reliable and robust connection resulting in increased uptime.

### These fittings include:

- Preassembled cartridge for correct ferrule orientation and installation
- Leaktight gas seal and vibration resistance in applications up to 20 000 psig (1378 bar)
- Specially designed ferrule geometry, promotes a patented hinging-collecting™ action

Refer to our [FK Series web page](#) for product ratings, materials of construction, dimensions, and additional information.



Products listed on this page have the shortest lead time. However, this doesn't mean that you don't have access to the entire Swagelok product catalog. A dedicated team of global construction specialists can help you choose from the tens of thousands of Swagelok-manufactured products and materials of construction, including assembled-to-order and engineered-to-order part numbers. Contact your local sales and service center for additional options.

Tube OD, In.	Description	Ordering Number
1/4 in.	316 Stainless Steel Swagelok Medium-Pressure Tube Fitting, Male Connector, 1/4 in. Tube OD x 1/4 in. Male NPT	<a href="#">SS-4FK0-1-4</a>
	316 Stainless Steel Swagelok Medium-Pressure Tube Fitting, Male Connector, 1/4 in. Tube OD x 1/2 in. Male NPT	<a href="#">SS-4FK0-1-8</a>
	316 Stainless Steel Swagelok Medium-Pressure Tube Fitting, Union Tee, 1/4 in. Tube OD	<a href="#">SS-4FK-3</a>
	316 Stainless Steel Swagelok Medium-Pressure Tube Fitting, Union, 1/4 in. Tube OD	<a href="#">SS-4FK0-6</a>
	316 Stainless Steel Swagelok Medium-Pressure Tube Fitting, Bulkhead Union, 1/4 in. Tube OD	<a href="#">SS-4FK0-61</a>
	316 Stainless Steel Swagelok Medium-Pressure Tube Fitting, Female Connector, 1/4 in. Tube OD x 1/4 in. Female NPT	<a href="#">SS-4FK0-7-4</a>
	316 Stainless Steel Swagelok Medium-Pressure Tube Fitting, 90° Union Elbow, 1/4 in. Tube OD	<a href="#">SS-4FK0-9</a>
	316 Stainless Steel Swagelok Medium-Pressure Tube Fitting, Cap, 1/4 in. Tube OD	<a href="#">SS-4FK0-C</a>
	316 Stainless Steel Swagelok Medium-Pressure Tube Fitting, Plug, 1/4 in. Tube OD	<a href="#">SS-4FK0-P</a>
	3/8 in.	316 Stainless Steel Swagelok Medium-Pressure Tube Fitting, Male Connector, 3/8 in. Tube OD x 1/4 in. Male NPT
316 Stainless Steel Swagelok Medium-Pressure Tube Fitting, Male Connector, 3/8 in. Tube OD x 1/2 in. Male NPT		<a href="#">SS-6FK01-8</a>
316 Stainless Steel Swagelok Medium-Pressure Tube Fitting, Union Tee, 3/8 in. Tube OD		<a href="#">SS-6FK0-3</a>
316 Stainless Steel Swagelok Medium-Pressure Tube Fitting, Union, 3/8 in. Tube OD		<a href="#">SS-6FK0-6</a>
316 Stainless Steel Swagelok Medium-Pressure Tube Fitting, Bulkhead Union, 3/8 in. Tube OD		<a href="#">SS-6FK0-61</a>

Tube OD, In.	Description	Ordering Number
3/8 in.	316 Stainless Steel Swagelok Medium-Pressure Tube Fitting, Female Connector, 3/8 in. Tube OD x 1/4 in. Female NPT	<a href="#">SS-6FK0-7-4</a>
	316 Stainless Steel Swagelok Medium-Pressure Tube Fitting, 90° Union Elbow, 3/8 in. Tube OD	<a href="#">SS-6FK0-9</a>
	316 Stainless Steel Swagelok Medium-Pressure Tube Fitting, Cap, 3/8 in. Tube OD	<a href="#">SS-6FK0-C</a>
	316 Stainless Steel Swagelok Medium-Pressure Tube Fitting, Plug, 3/8 in. Tube OD	<a href="#">SS-6FK0-P</a>
	316 Stainless Steel Swagelok Medium-Pressure Tube Fitting, Male Connector, 1/2 in. Tube OD x 1/4 in. Male NPT	<a href="#">SS-8FK01-4</a>
	316 Stainless Steel Swagelok Medium-Pressure Tube Fitting, Male Connector, 1/2 in. Tube OD x 1/2 in. Male NPT	<a href="#">SS-8FK01-8</a>
1/2 in.	316 Stainless Steel Swagelok Medium-Pressure Tube Fitting, Union Tee, 1/2 in. Tube OD	<a href="#">SS-8FK0-3</a>
	316 Stainless Steel Swagelok Medium-Pressure Tube Fitting, Union, 1/2 in. Tube OD	<a href="#">SS-8FK0-6</a>
	316 Stainless Steel Swagelok Medium-Pressure Tube Fitting, Bulkhead Union, 1/2 in. Tube OD	<a href="#">SS-8FK061</a>
	316 Stainless Steel Swagelok Medium-Pressure Tube Fitting, Female Connector, 1/2 in. Tube OD x 1/2 in. Female NPT	<a href="#">SS-8FK0-7-8</a>
	316 Stainless Steel Swagelok Medium-Pressure Tube Fitting, 90° Union Elbow, 1/2 in. Tube OD	<a href="#">SS-8FK0-9</a>
	316 Stainless Steel Swagelok Medium-Pressure Tube Fitting, Cap, 1/2 in. Tube OD	<a href="#">SS-8FK0-C</a>
	316 Stainless Steel Swagelok Medium-Pressure Tube Fitting, Plug, 1/2 in. Tube OD	<a href="#">SS-8FK0-P</a>

## Swagelok® Flange Adapters

Piping flange to Swagelok® tube fitting adapters reduce potential system leak points with a threadless, weldless transition from flanged piping systems to tubing systems.

### Our flange adapters feature:

- Flange types meeting ASME, DIN EN, and JIS standards
- Wrench flats for ease of tube fitting assembly
- Gaugeability on initial installation using Swagelok gap inspection gauges

Refer to our [Flange Adapter web page](#) for product ratings, materials of construction, dimensions, and additional information.



Tube OD, In.	Description	Ordering Number
3/8	3/8 in. Swagelok tube fitting to NPS 1/2 in. Class 150 ANSI flange	<a href="#">SS-600-F8-150</a>
	3/8 in. Swagelok tube fitting to NPS 1/2 in. Class 300 ANSI flange	<a href="#">SS-600-F8-300</a>
	3/8 in. Swagelok tube fitting to NPS 1/2 in. Class 400/600 ANSI flange	<a href="#">SS-600-F8-600</a>
1/2	1/2 in. Swagelok tube fitting to NPS 1/2 in. Class 150 ANSI flange	<a href="#">SS-810-F8-150</a>
	1/2 in. Swagelok tube fitting to NPS 1/2 in. Class 300 ANSI flange	<a href="#">SS-810-F8-300</a>
	1/2 in. Swagelok tube fitting to NPS 1/2 in. Class 400/600 ANSI flange	<a href="#">SS-810-F8-600</a>
	1/2 in. Swagelok tube fitting to NPS 3/4 in. Class 150 ANSI flange	<a href="#">SS-810-F12-150</a>
	1/2 in. Swagelok tube fitting to NPS 3/4 in. Class 300 ANSI flange	<a href="#">SS-810-F12-300</a>
	1/2 in. Swagelok tube fitting to NPS 3/4 in. Class 400/600 ANSI flange	<a href="#">SS-810-F12-600</a>
	1/2 in. Swagelok tube fitting to NPS 1 in. Class 150 ANSI flange	<a href="#">SS-810-F16-150</a>
	1/2 in. Swagelok tube fitting to NPS 1 in. Class 300 ANSI flange	<a href="#">SS-810-F16-300</a>
	1/2 in. Swagelok tube fitting to NPS 1 in. Class 400/600 ANSI flange	<a href="#">SS-810-F16-600</a>
	1/2 in. Swagelok tube fitting to NPS 2 in. Class 150 ANSI flange	<a href="#">SS-810-F32-150</a>
	1/2 in. Swagelok tube fitting to NPS 2 in. Class 300 ANSI flange	<a href="#">SS-810-F32-300</a>
	1/2 in. Swagelok tube fitting to NPS 2 in. Class 400/600 ANSI flange	<a href="#">SS-810-F32-600</a>

Tube OD, In.	Description	Ordering Number
3/4	3/4 in. Swagelok tube fitting to NPS 3/4 in. Class 150 ANSI flange	<a href="#">SS-1210-F12-150</a>
	3/4 in. Swagelok tube fitting to NPS 3/4 in. Class 300 ANSI flange	<a href="#">SS-1210-F12-300</a>
	3/4 in. Swagelok tube fitting to NPS 3/4 in. Class 400/600 ANSI flange	<a href="#">SS-1210-F12-600</a>
1	1 in. Swagelok tube fitting to NPS 1 in. Class 150 ANSI flange	<a href="#">SS-1610-F16-150</a>
	1 in. Swagelok tube fitting to NPS 1 in. Class 300 ANSI flange	<a href="#">SS-1610-F16-300</a>
	1 in. Swagelok tube fitting to NPS 1 in. Class 400/600 ANSI flange	<a href="#">SS-1610-F16-600</a>

Products listed on this page have the shortest lead time. However, this doesn't mean that you don't have access to the entire Swagelok product catalog. A dedicated team of global construction specialists can help you choose from the tens of thousands of Swagelok-manufactured products and materials of construction, including assembled-to-order and engineered-to-order part numbers. Contact your local sales and service center for additional options.

## Swagelok® QC Series Quick-Connects

Connect quickly and with confidence using our wide variety of quick-connect configurations to reduce spillage and air inclusion in your system.

### These valves feature:

- Single-end shutoff, double-end shutoff, and full-flow models
- No twisting, turning, or wrenching necessary

Refer to our [Quick-Connects web page](#) for product ratings, materials of construction, dimensions, and additional information.

Series	Description	Ordering Number
QC4	Stainless steel instrumentation Quick-Connect body, 0.08 Cv, 1/8 in. Swagelok tube fitting	<a href="#">SS-QC4-B-200</a>
	Stainless steel instrumentation Quick-Connect stem with valve, 0.08 Cv, 1/8 in. Swagelok tube fitting	<a href="#">SS-QC4-D-200</a>
	Stainless steel instrumentation Quick-Connect stem without valve, 0.08 Cv, 1/8 in. Swagelok tube fitting	<a href="#">SS-QC4-S-200</a>
	Stainless steel instrumentation Quick-Connect body, 0.2 Cv, 1/4 in. Swagelok tube fitting	<a href="#">SS-QC4-B-400</a>
	Stainless steel instrumentation Quick-Connect stem with valve, 0.2 Cv, 1/4 in. Swagelok tube fitting	<a href="#">SS-QC4-D-400</a>
	Stainless steel instrumentation Quick-Connect stem without valve, 0.3 Cv, 1/4 in. Swagelok tube fitting	<a href="#">SS-QC4-S-400</a>
QC6	Stainless steel instrumentation Quick-Connect body, 0.5 Cv, 3/8 in. Swagelok tube fitting	<a href="#">SS-QC6-B-600</a>
	Stainless steel instrumentation Quick-Connect stem with valve, 0.5 Cv, 3/8 in. Swagelok tube fitting	<a href="#">SS-QC6-D-600</a>
	Stainless steel instrumentation Quick-Connect stem without valve, 1.0 Cv, 3/8 in. Swagelok tube fitting	<a href="#">SS-QC6-S-600</a>
QC8	Stainless steel instrumentation Quick-Connect body, 1.5 Cv, 1/2 in. Swagelok tube fitting	<a href="#">SS-QC8-B-810</a>
	Stainless steel instrumentation Quick-Connect stem with valve, 1.5 Cv, 1/2 in. Swagelok tube fitting	<a href="#">SS-QC8-D-810</a>
	Stainless steel instrumentation Quick-Connect stem without valve, 2.4 Cv, 1/2 in. Swagelok tube fitting	<a href="#">SS-QC8-S-810</a>



Products listed on this page have the shortest lead time. However, this doesn't mean that you don't have access to the entire Swagelok product catalog. A dedicated team of global construction specialists can help you choose from the tens of thousands of Swagelok-manufactured products and materials of construction, including assembled-to-order and engineered-to-order part numbers. Contact your local sales and service center for additional options.

## Swagelok® Sample Cylinders

Swagelok offers a wide selection of sample cylinders that are compliant with various industry standards. These durable, pressure-rated metal cylinders also prevent samples from escaping during grab sampling system operation and are easy to clean.

### These valves feature:

- Sizes from 10 to 3785 cm<sup>3</sup> (1 gal)
- Working pressures up to 5000 psig (344 bar)

Refer to our [Sample Cylinder web page](#) for product ratings, materials of construction, dimensions, and additional information.

Connection Size, in.	Description	Ordering Number
1/4	304L stainless steel double-ended DOT-compliant sample cylinder, 1/4 in. female NPT, 50 cm <sup>3</sup> , 1800 psig (124 bar)	<a href="#">304L-HDF4-50</a>
	304L stainless steel double-ended DOT-compliant sample cylinder, 1/4 in. female NPT, 75 cm <sup>3</sup> , 1800 psig (124 bar)	<a href="#">304L-HDF4-75</a>
	304L stainless steel double-ended DOT-compliant sample cylinder, 1/4 in. female NPT, 150 cm <sup>3</sup> , 1800 psig (124 bar)	<a href="#">304L-HDF4-150</a>
	304L stainless steel double-ended DOT-compliant sample cylinder, 1/4 in. female NPT, 300 cm <sup>3</sup> , 1800 psig (124 bar)	<a href="#">304L-HDF4-300</a>
	304L stainless steel double-ended DOT-compliant sample cylinder, 1/4 in. female NPT, 400 cm <sup>3</sup> , 1800 psig (124 bar)	<a href="#">304L-HDF4-400</a>
	304L stainless steel double-ended DOT-compliant sample cylinder, 1/4 in. female NPT, 500 cm <sup>3</sup> , 1800 psig (124 bar)	<a href="#">304L-HDF4-500</a>
	304L stainless steel double-ended DOT-compliant sample cylinder, 1/4 in. female NPT, 1000 cm <sup>3</sup> , 1800 psig (124 bar)	<a href="#">304L-HDF4-1000</a>
	304L stainless steel double-ended DOT-compliant sample cylinder, 1/4 in. female NPT, 2250 cm <sup>3</sup> , 1800 psig (124 bar)	<a href="#">304L-HDF4-2250</a>
	304L stainless steel double-ended DOT-compliant sample cylinder, 1/4 in. female NPT, 3785 cm <sup>3</sup> (1 Gal.), 1800 psig (124 bar)	<a href="#">304L-HDF4-1GAL</a>
	1/2	304L stainless steel double-ended DOT-compliant sample cylinder, 1/2 in. female NPT, 1000 cm <sup>3</sup> , 1800 psig (124 bar)
304L stainless steel double-ended DOT-compliant sample cylinder, 1/2 in. female NPT, 2250 cm <sup>3</sup> , 1800 psig (124 bar)		<a href="#">304L-HDF8-2250</a>
304L stainless steel double-ended DOT-compliant sample cylinder, 1/2 in. female NPT, 3785 cm <sup>3</sup> (1 Gal.), 1800 psig (124 bar)		<a href="#">304L-HDF8-1GAL</a>

Products listed on this page have the shortest lead time. However, this doesn't mean that you don't have access to the entire Swagelok product catalog. A dedicated team of global construction specialists can help you choose from the tens of thousands of Swagelok-manufactured products and materials of construction, including assembled-to-order and engineered-to-order part numbers. Contact your local sales and service center for additional options.





## We Are Ready to Make Your Capital Project a Success

With our global presence, local support, quality solutions, and industry-leading support, you can realize:

- Enhanced safety
- Improved uptime and reliability
- Minimized environmental impact
- Lower total cost of ownership
- Optimized project execution

A strategically located network of authorized sales and service centers offers Swagelok solutions around the world. **Find out how you can benefit.**



**Contact your local authorized sales and service center today** >



## Index

**Total Support** \_\_\_\_\_ **04**

### Regulators

Swagelok® K Series Pressure Regulators \_\_\_\_\_ **08**

### Valves

Swagelok® GB Series General Purpose Ball Valve \_\_\_\_\_ **09**

Swagelok® 60 Series Three-Piece Process

Instrumentation Ball Valves \_\_\_\_\_ **10**

Swagelok® 83 Series Three-Piece Trunion-Style Ball Valves \_\_\_\_\_ **11**

Swagelok® FKB Series Ball Valves \_\_\_\_\_ **12**

Swagelok® N Series Severe-Service Needle Valves \_\_\_\_\_ **13**

Swagelok® Integral-Bonnet Needle Valves (O, 1, 18 Series) \_\_\_\_\_ **14**

Swagelok® CH Series Check Valves \_\_\_\_\_ **15**

### Tube Fittings

Alloy 2507 Swagelok® Tube Fittings \_\_\_\_\_ **16**

6-Moly Swagelok® Tube Fittings \_\_\_\_\_ **16**

Swagelok® FK Series Fittings \_\_\_\_\_ **20**

### Flange Adapters

Swagelok® Flange Adapters \_\_\_\_\_ **21**

### Quick-Connects

Swagelok® QC Series Quick-Connects \_\_\_\_\_ **22**

### Cylinders

Swagelok® Sample Cylinders \_\_\_\_\_ **23**





[swagelok.com](http://swagelok.com)