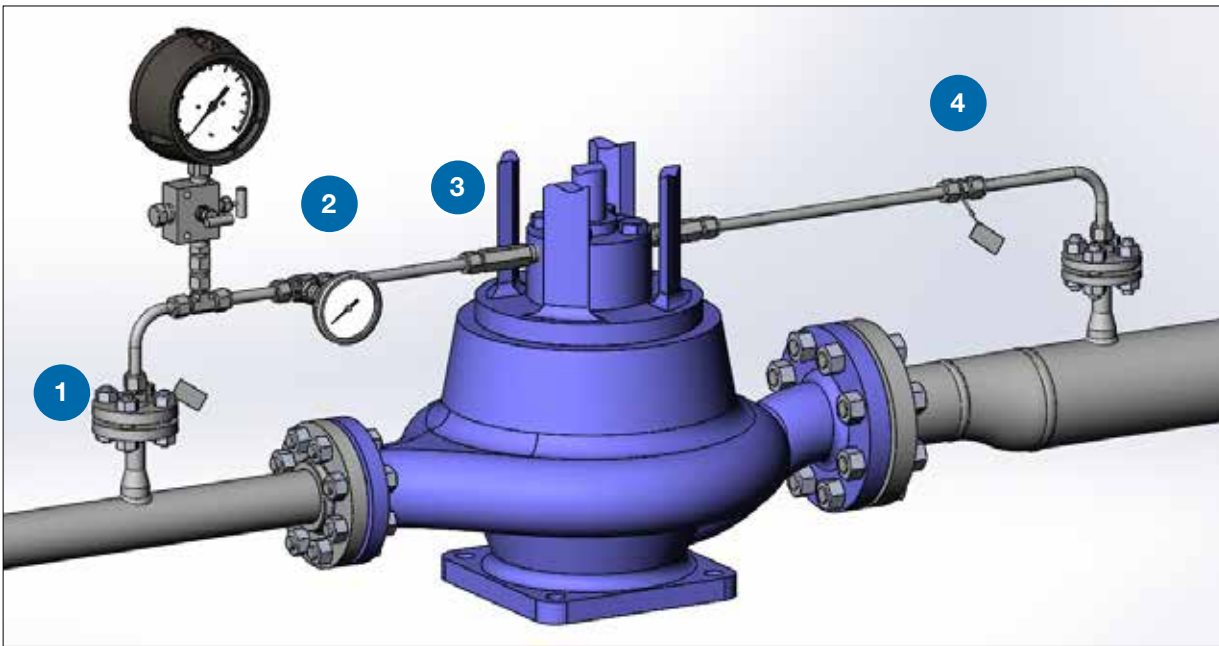


# Fewer Leak Points. Simplified Maintenance.

## Swagelok Seal Flush Plan Components

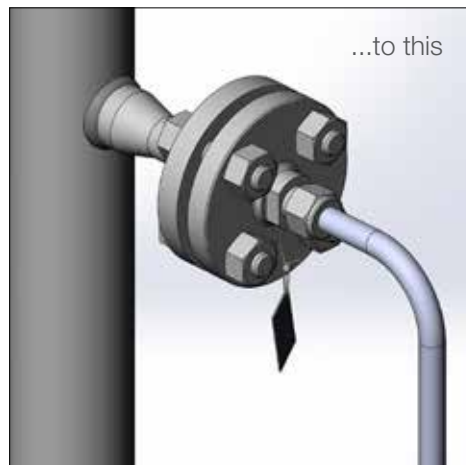
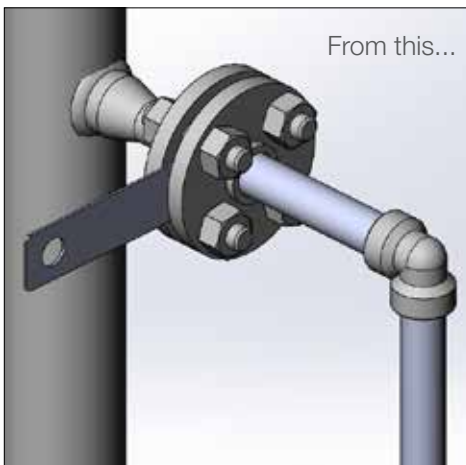
Swagelok Seal Flush Plan components help keep your rotating equipment running efficiently, with less downtime and fewer leaks. Our 2-inch and under components replace traditional threaded and welded pipe connections with bent tubing, tube fittings, and other quality parts<sup>1</sup>, like the components shown here. Custom configurations and critical spares are available through your local Swagelok sales and service center.

<sup>1</sup>API 682, 4th edition supports the use of tubing for mechanical seal support systems.



### Improve the Way You Connect.

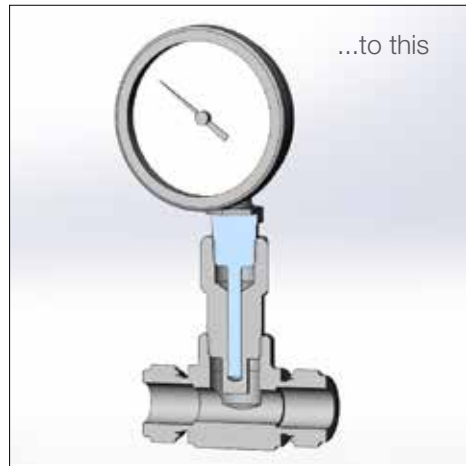
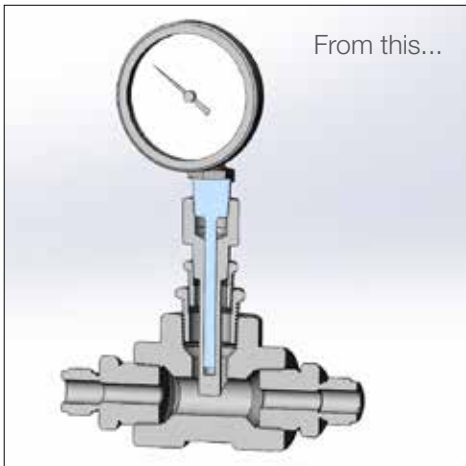
#### 1 Integral Orifice Flange Adapter



Replace threaded or welded flange assemblies with a one-piece flange adapter with an integral orifice.



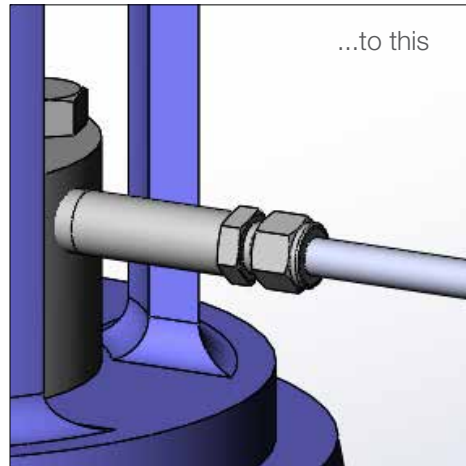
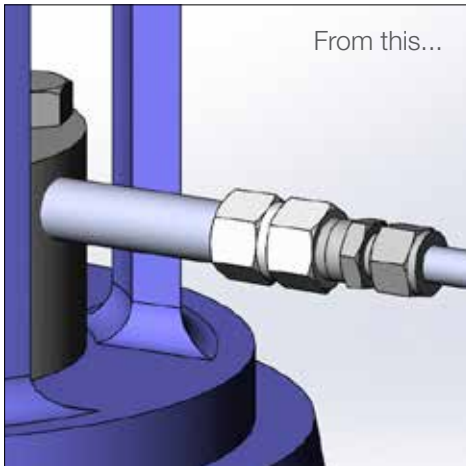
## 2 Thermowell Tees



Reduce threaded connections and monitor temperature with integrated thermowell pre-welded into tube fitting tee for ease of installation.



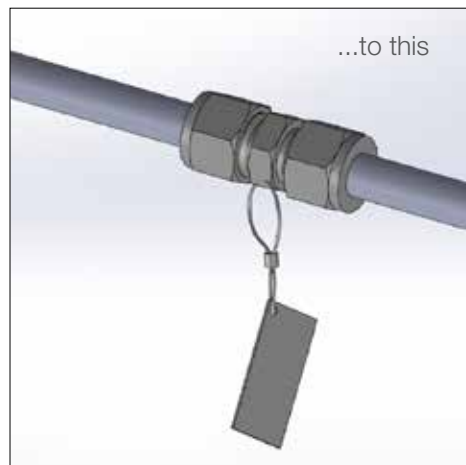
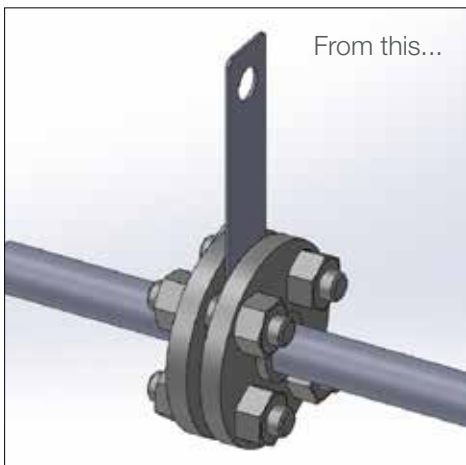
## 3 Extended Male Connector



Eliminate threaded pipe and potential leak points with a single fitting. Available in 4- and 6- inch lengths, to allow you to clear the shroud and go straight from the gland to your tubing run in one piece.



## 4 Orifice Union



Easily add an orifice to a flush system with the orifice union. This fitting makes welding bulky flange assemblies unnecessary. Tagged for visual identification.

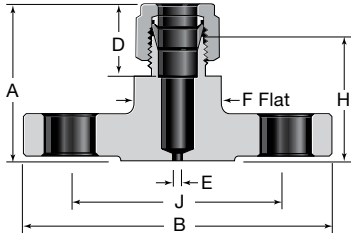


*Find Out More. Contact your local Sales and Service Center today.*

**Swagelok**

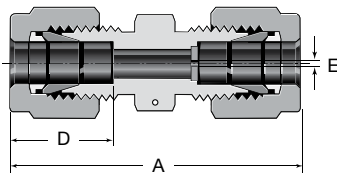


**Integral Orifice Class 300 ANSI Flange Adapter with Tag**



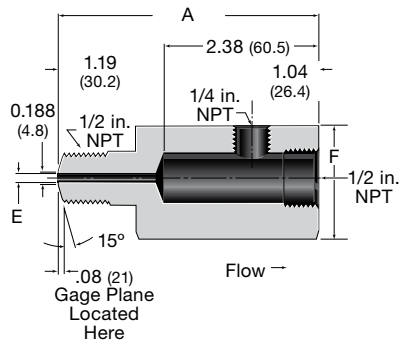
Tube OD	Flange Size	Ordering Number	Dimensions							Pressure Rating
			A	B	D	E	F	H	J	
<b>Dimensions, in. (mm)</b>										<b>psig (bar)</b>
1/2	3/4	SS-810-F12-300-43359	1.96 (49.8)	4.62 (117)	0.90 (22.9)	0.125 (3.2)	1.06 (26.9)	1.56 (39.6)	3.25 (82.6)	720 (49.6)
	1/2	SS-810-F8-300-43359	1.90 (48.3)	3.75 (95.3)			1.50 (38.1)	2.62 (66.5)		
3/4	3/4	SS-1210-F12-300-43359	2.04 (51.8)	4.62 (117)	0.96 (24.4)	1.50 (38.1)	1.64 (41.7)	3.25 (82.6)		
<b>Dimensions, mm (in.)</b>										
12	3/4	SS-12M0-F12-300-43359	49.8 (1.96)	117 (4.62)	22.9 (0.90)	3.2 (0.125)	26.9 (1.06)	39.6 (1.56)	82.6 (3.25)	49.6 (720)

**Union Orifice Adapter with Lanyard**



Tube OD	Ordering Number	Dimensions			Pressure Rating
		A	D	E	
<b>Dimensions, in. (mm)</b>					<b>psig (bar)</b>
1/2	SS-810-6PD-50174	2.02 (51.3)	0.90 (22.9)	0.125 (3.2)	6700 (461)
3/4	SS-1210-6PD-50174	2.11 (53.6)	0.96 (24.2)		5800 (399)

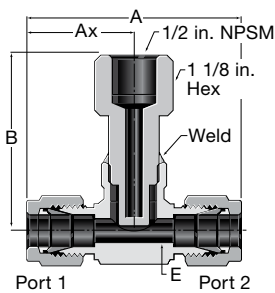
Please include E-dimension at time of order. E-dimension will be between 0.125 in. (0.3 mm) and maximum E-dimension for size of tube fitting.



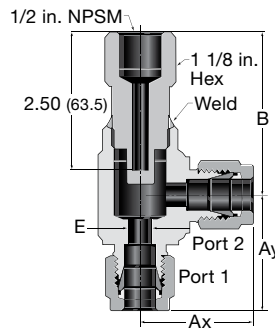
**Orifice Adapter**

Tube OD	Female NPT	Ordering Number	Dimensions			Pressure Rating
			A	E	F	
<b>Dimensions, in. (mm)</b>						<b>psig (bar)</b>
1/2	1/2	SS-8-A-08097	4.00 (102)	0.125 (3.2)	1 5/8	4900 (337)
3/4		SS-12-R8-8-08096			1 1/16	

**Thermowell Tee**



**Straight Pattern**



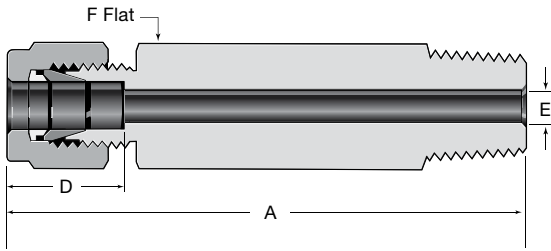
**Angle Pattern**

Tube OD	Ordering Number	Dimensions					Pressure Rating
		A	Ax	Ay	B	E	
<b>Dimensions, in. (mm)</b>							<b>psig (bar)</b>
3/8	SS-TTW-S6	2.84 (72.1)	1.42 (36.1)	2.86 (72.7)	0.28 (7.1)	4900 (337)	
1/2	SS-TTW-S8 <sup>①</sup>	3.06 (77.7)	1.53 (38.9)		0.41 (10.4)		
3/4	SS-TTW-S12 <sup>①</sup>	3.52 (89.4)	1.76 (44.7)	1.76 (44.7)	0.62 (15.7)	4600 (316)	
<b>Dimensions, mm (in.)</b>							<b>bar (psig)</b>
12	SS-TTW-S12MM <sup>①</sup>	77.7 (3.06)	38.9 (1.53)	72.7 (2.86)	9.5 (0.73)	337 (4900)	
16	SS-TTW-S16MM <sup>①</sup>				12.7 (0.50)		
18	SS-TTW-S18MM	89.4 (3.52)	44.7 (1.76)	75.2 (2.96)	15.0 (0.59)	316 (4600)	

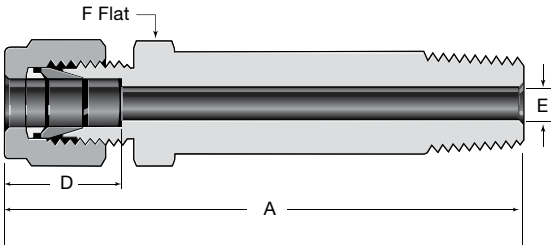
① To order an angle-pattern Thermowell Tee, add -A to the ordering number. Example: SS-TTW-S6-A  
Refer to *Temperature Measurement Devices, Bimetal Thermometers and Thermowells* catalog, MS-02-353, for additional information.

# Seal Flush Plan Components Ordering Information

## Extended Male Connector Hex Shank



Tube OD	NPT Size	Ordering Number	Dimensions				Pressure Rating
			A	D	E	F	
Dimensions, in. (mm)							psig (bar)
3/8	3/8	SS-600-1-6-50553	4.00 (102)	0.66 (16.8)	0.28 (7.1)	11/16	7500 (516)
		SS-600-1-6-49485	6.00 (152)				
1/2	1/2	SS-810-1-8-50553	4.00 (102)	0.90 (22.9)	0.41 (10.4)	7/8	6700 (461)
		SS-810-1-8-49485	6.00 (152)				
3/4	1/2	SS-1210-1-8-50553	4.00 (102)	0.96 (24.4)	0.63 (16.0)	1 1/16	5800 (399)
		SS-1210-1-8-49485	6.00 (152)				
	3/4	SS-1210-1-12-50553	4.00 (102)				
		SS-1210-1-12-49485	6.00 (152)				
Dimensions, mm (in.)							bar (psig)
12	1/2	SS-12M0-1-8-50553	102 (4.00)	22.8 (0.90)	9.5 (0.37)	22	470 (6821)
		SS-12M0-1-8-49485	152 (6.00)				



## Extended Male Connector Machined Shank

Tube OD	NPT Size	Ordering Number	Dimensions				Pressure Rating
			A	D	E	F	
Dimensions, in. (mm)							psig (bar)
3/8	3/8	SS-600-1-6-52166	4.00 (102)	0.66 (16.8)	0.28 (7.1)	11/16	7500 (516)
		SS-600-1-6-52167	6.00 (152)				
1/2	1/2	SS-810-1-6-52166	4.00 (102)	0.90 (22.9)	0.41 (10.4)	7/8	6700 (461)
		SS-810-1-6-52167	6.00 (152)				
3/4	1/2	SS-810-1-8-52166	4.00 (102)	0.96 (24.4)	0.63 (16.0)	1 1/16	5800 (399)
		SS-1210-1-8-52167	6.00 (152)				
	3/4	SS-1210-1-12-52166	4.00 (102)				
		SS-1210-1-12-52167	6.00 (152)				
Dimensions, mm (in.)							bar (psig)
12	1/2	SS-12M0-1-8-52166	102 (4.00)	22.8 (0.90)	9.5 (0.37)	22	470 (6821)
		SS-12M0-1-8-52167	152 (6.00)				
18	3/4	SS-18M0-1-12-52166	102 (4.00)	24.4 (0.96)	11.9 (0.47)	27	370 (5370)
		SS-18M0-1-12-52167	152 (6.00)				

### Safe Product Selection

When selecting a product, the total system design must be considered to ensure safe, trouble-free performance. Function, material compatibility, adequate ratings, proper installation, operation, and maintenance are the responsibilities of the system designer and user.

### Warranty Information

Swagelok products are backed by The Swagelok Limited Lifetime Warranty. For a copy, visit your Swagelok Web site or contact your authorized Swagelok representative.