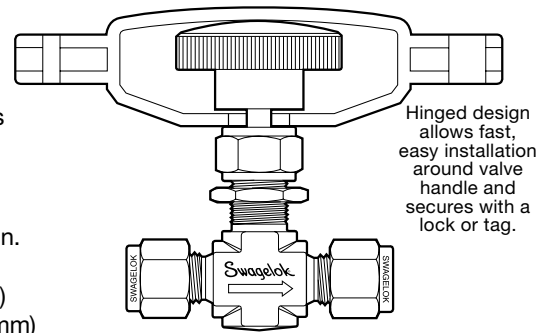


Valve Lockout Accessory

Limits access to manually actuated valves

Features

- Lockout accessory enables compliance with OSHA Lockout/Tagout, Standard 29 CFR Part 1910.147, *Control of Hazardous Energy*.
- Bright safety orange color promotes high visibility. Other colors are available.
- 10 in. (25 cm) plastic beaded chain secures lockout accessory to site when not in use.
- Rugged polypropylene construction provides resistance to many chemicals and withstands temperatures from -20 to 300°F (-28 to 148°C).
- Versatile design accommodates stems or handles from $3/8$ to $4\ 1/4$ in. (9.5 to 108 mm) in diameter and padlocks with up to $3/8$ in. (9.5 mm) shackle diameter and $3/4$ in. (19.0 mm) minimum straight shackle length.



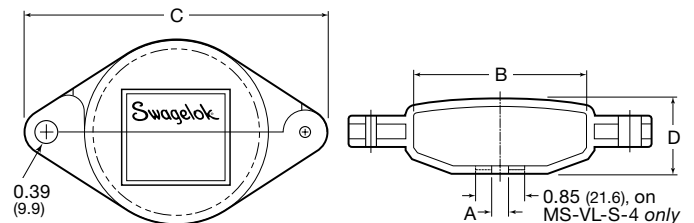
Valve Lockout Accessory Shown on Swagelok Needle Valve

Ordering Information and Dimensions

Valve Type	Valve Series	Ordering Number
Ball	41, 41G, 42, 42G (directional and oval handle)	MS-VL-S-2
	SK, 83, H83, 43, 43G (directional and oval handle), 44 and 62 (oval handle)	MS-VL-S-3
	44 (directional handle), 45 and 63 (oval handle)	MS-VL-M-3
Bellows	B ^① , BN ^① , H, HK, 4U, 6U, 8U	MS-VL-S-2
	12U	MS-VL-M-2
Diaphragm	DF ^② , DP ^③	MS-VL-S-3
	DL	MS-VL-M-2
	DS	MS-VL-S-2
	LD ^④ forged- and cast-body valves	MS-VL-M-3
Manifold	V (2 valve)	MS-VL-S-1
	V (3- and 5-valve block valves)	MS-VL-S-2
Metering	31	MS-VL-S-4
Needle	JB, O, 26, 3HN, 3N, 4P, 5P, 6P	MS-VL-S-1
	JN, 1 (0.172 in. [4.4 mm] orifice), 20	MS-VL-S-4
	1 (0.250 in. [6.4 mm] orifice), 6DB, 6HN, 6N, 12N	MS-VL-M-2
	18	MS-VL-M-1
Plug	P4T	MS-VL-S-2
	P6T	MS-VL-S-3

- ① Not available for valves with toggle handles.
 ② Not available for 1V and 5V configurations.
 ③ Not available for 1V and 2V configurations.
 ④ Not available for 16LD series.

Select the ordering number that corresponds to the valve series. Dimensions, in inches and (millimeters), are for reference only and are subject to change.



Ordering Number	Dimensions, in. (mm)			
	A	B	C	D
MS-VL-S-1	0.29 (7.4)	3.01 (76.5)	5.25 (133)	1.25 (31.8)
MS-VL-S-2	0.82 (20.8)			
MS-VL-S-3	1.23 (31.2)			
MS-VL-S-4	0.29 (7.4)	4.27 (108)	6.58 (167)	2.00 (50.8)
MS-VL-M-1	0.38 (9.7)			
MS-VL-M-2	0.88 (22.4)			
MS-VL-M-3	1.87 (47.5)			

Safe Product Selection

When selecting a product, the total system design must be considered to ensure safe, trouble-free performance. Function, material compatibility, adequate ratings, proper installation, operation, and maintenance are the responsibilities of the system designer and user.

Warranty Information

Swagelok products are backed by The Swagelok Limited Lifetime Warranty. For a copy, visit swagelok.com or contact your authorized Swagelok representative.