



January 27, 2026

TSSA
345 Carlingview Drive
Toronto, ON M9W 6N9

Dear Tanya Francis,

Re: Reciprocal CRN Registration in Manitoba

As indicated by the Regulatory Reconciliation and Cooperation Table and the Reconciliation Agreement for the Canadian Registration Number (CRN) for Pressure Equipment, the design reviews conducted and accepted by the Canadian province or territory, or their delegated safety authority, will be mutually recognized in the Province of Manitoba. If a registration is conditionally based on compliance with the notes set by the original issuing Jurisdiction, such compliance shall be applied the same to this Province.

Your submission has been registered, as follows:

File Number: 74-R5791
CRN: 0C26278.54
Scope: Attachment A (Manufacturing Locations) & Attachment B Dated 10-03-2025
Manufacturer: SWAGELOK
Expiry Date: 26 November 2035

Along with this letter is the invoice for registration.

In addition, every Pressure Vessel, Boiler, and Heat Exchanger shall be stamped with the registration number and as required by CSA Code B51, a Manufacturer's Data Report (MDR) must be forwarded to this office immediately at the time a unit is shipped to Manitoba. Send your MDR to gasupport@gov.mb.ca. In your subject line, indicate "*Manufacturer's Data Report-CRN No.*" A fee shall be billed to the Manufacturer to process data reports in accordance with the Steam and Pressure Plants Regulation section 17.1.

Please contact gasupport@gov.mb.ca for any questions or concerns.

Inspection and Technical Services

Labour and Immigration
508 – 401 York Avenue, Winnipeg, MB R3C 0P8
T (204) 945-3373 | F (204) 948-2089



Technical Standards and Safety Authority
 345 Carlingview Drive
 Toronto, Ontario M9W 6N9
 www.tssa.org

Show facsimile of manufacturer's logo or trademark, as it will appear on the fitting, in the space below



STATUTORY DECLARATION Registration of Fittings

I, James Nordholt, Vice President of Engineering
(Name and Position, e.g. President, Plant Manager, Chief Engineer)

of Swagelok Company
(Name of Manufacturer)

Located at 29500 Solon Road, Solon, Ohio 44139 USA (440) 248-4600 (440) 349-5970
(Plant Address) (Telephone No.) (Fax No.)

do solemnly declare that the fittings listed hereunder, which are subject to the **Technical Standards and Safety Act**, Boilers and Pressure Vessels Regulation, comply with all of the requirements of ASME B31.1 for unlisted components, and ASME B31.3 for unlisted components
(Title of recognized North American Standard)

which specifies the dimensions, materials of construction, pressure/temperature ratings, identification marking the fittings and service;

or are not covered by the provisions of a recognized North American standard and are therefore manufactured to comply with _____ as supported by the attached data which identifies the dimensions, material of construction, pressure/temperature ratings and the basis for such ratings, the marking of the fitting for identification and service.

I further declare that the manufacture of these fittings is controlled by a quality system meeting the requirements of ISO 9001:2015 which has been verified by the following authority, BSI

The items covered by this declaration, for which I seek registration, are category C type fittings. In support of this application, the following information and/or test data are attached as follows:
ISO:2015 Certificate, Attachment A, Attachment B, Catalog MS-01-73, and other Support Documents
(drawings, calculations, test reports, etc.)

Declared before me at SOLON in the STATE of OHIO

the 20 day of OCTOBER AD 2025

Commissioner for Oaths:

JEFFREY C TRUMBULL
(Printed name)

[Signature]
(Signature)



JEFFREY C TRUMBULL
 Notary Public
 State of Ohio
 My Comm. Expires
 April 15, 2030

[Signature]
(Signature of Declarer)

FOR OFFICE USE ONLY

To the best of my knowledge and belief, the application meets the requirements of the **Technical Standards and Safety Act**, Boilers and Pressure Vessels Regulation, and CSA Standard B51 and is accepted for registration in Category C.

CRN: _____

Registered by: _____

Dated: _____

Technical Standards and Safety Authority
Boilers and Pressure Vessels Safety Program

REGISTERED

C.R.N.: 0C26278.5

Signed: [Signature]

Date: November 26, 2025.

NOTE: This registration expires on: Nov 26, 2035

**Information provided in this application is releasable under the Freedom of Information and Privacy Protection Act and may be disclosed upon request.*

Attachment B: Scope of CRN Registration for Swagelok Diaphragm, DL & DS Series Valves (Category C)

Product Scope

This document represents the scope of Diaphragm, DL / DS Series Valves covered by this submission for CRN approval. These Diaphragm, DL / DS Series Valves have been evaluated in accordance with ASME B31.1 and B31.3 for unlisted components.

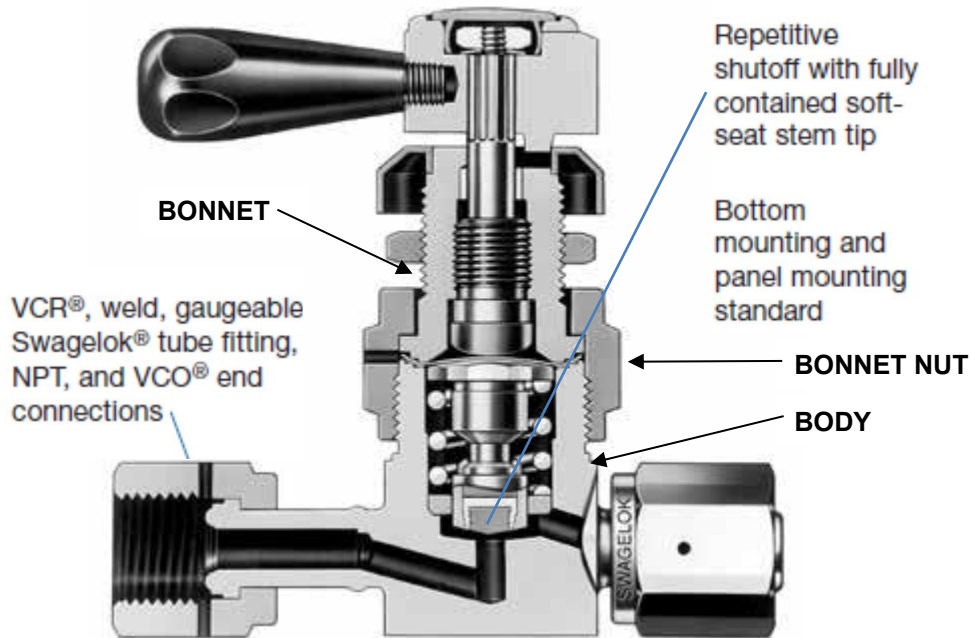
Table 1 – Summary Table

Product Series	Main Pressure Bearing Component	Main Pressure Bearing Material	Port Connections and Sizes	Maximum Allowable Working Pressure		Design Code of Construction
				@100°F	At Max. Temp.	
DS (*see below)	Body, Bonnet Nut, Bonnet	316LV SS (ASTM A479)	Tube Butt Welds 1/4", 3/8" Tube Socket & Tube Butt Welds 1/4" & 3/8", 3/8" & 1/2" Swagelok Tube Fittings 1/4",	3500 psig	2800 psig@250°F	ASME B31.1 (Unlisted Components) and ASME B31.3 (Unlisted Components)
		316/316L SS Dual Certified (ASTM A479)	3/8", 6 mm, 8 mm Female VCR 1/4" Female to Male VCR 1/4" Male to Female VCR 1/4"	3500 psig	2800 psig@250°F	
		316/316L SS Dual Certified (ASTM A479)	VCO O-Ring Fitting 1/4" Male VCR Fitting 1/4"	3500 psig	2800 psig@250°F	
DL (*see below)	Body, Bonnet Nut, Bonnet	316LV SS (ASTM A479)	Tube Butt Welds 1/4", 3/8" Tube Socket & Tube Butt Welds 1/4" & 3/8", 3/8" & 1/2" Swagelok Tube Fittings 1/4",	3500 psig	2800 psig@250°F	ASME B31.1 (Unlisted Components) and ASME B31.3 (Unlisted Components)
		316/316L SS Dual Certified (ASTM A479)	3/8", 6 mm, 8 mm Female VCR 1/4" Female to Male VCR 1/4" Male to Female VCR 1/4"	3500 psig	2800 psig@250°F	
		316/316L SS Dual Certified (ASTM A479)	VCO O-Ring Fitting 1/4" Male VCR Fitting 1/4"	3500 psig	2800 psig@250°F	

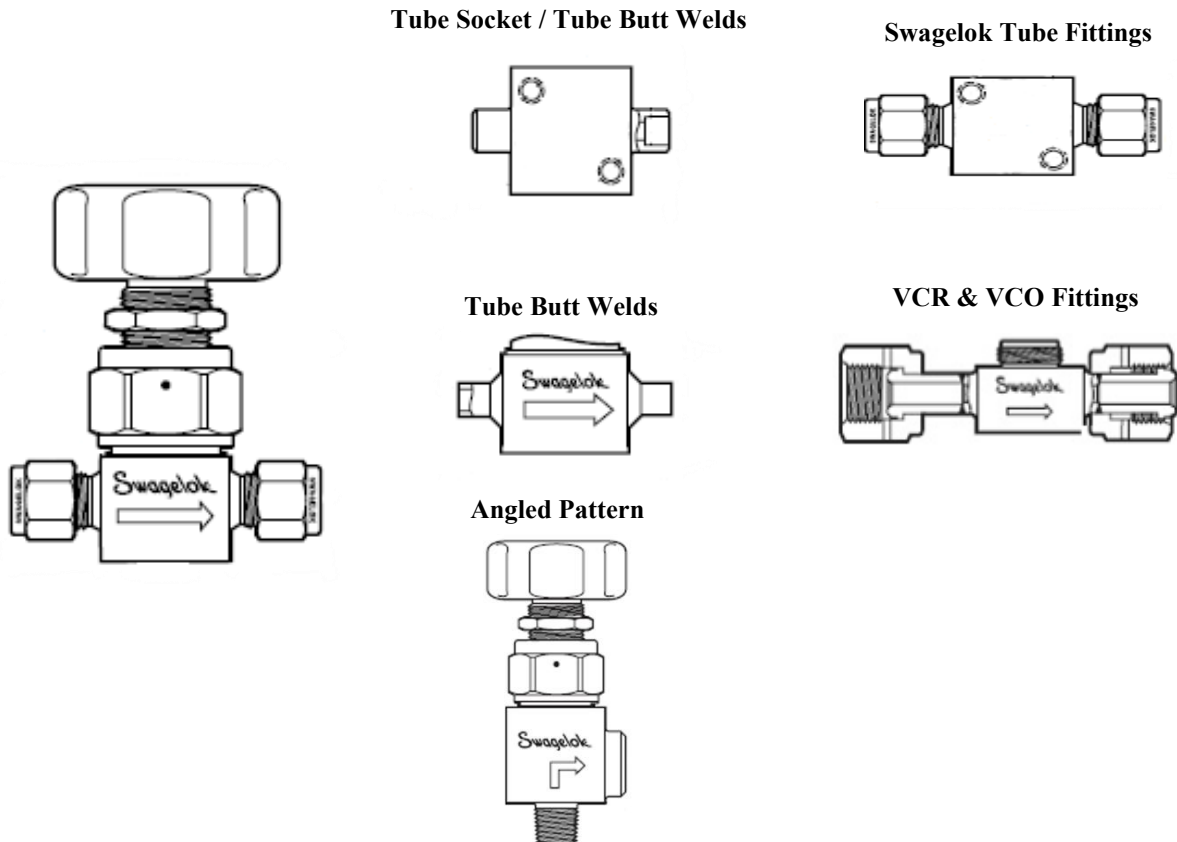
* Mode of operation: hand operated and hand actuated (all materials).

Product Description

All DS/DL Series Diaphragm Valves have the same features as shown below.



Configurations



Product Options:

Additional options and non-pressure boundary alterations that do not affect pressure-temperature ratings may be made available within the scope of this registration. Examples of these would include, but not be limited to, handle options, indicators, actuators, stem tips, etc.

Quality System

The Swagelok Company quality system complies with the requirements of ISO 9001:2015. The Swagelok Company maintains British Standards Institution Certificate of Registration Number FM 01729, which applies to all locations listed on the Certificate.

References

The product catalog does not represent the full scope of the registration but rather details some of the most common options.

- Diaphragm Valves, DS and DL Series Catalog – MS-01-73, Rev. O