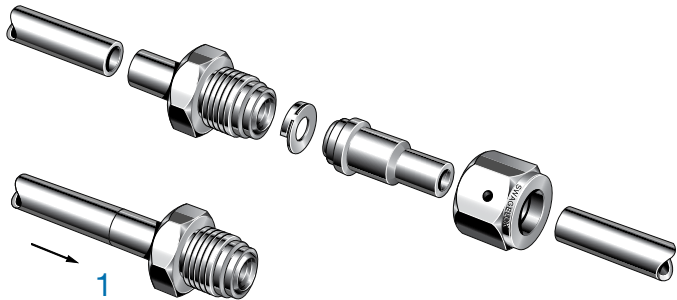
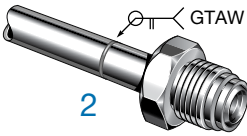


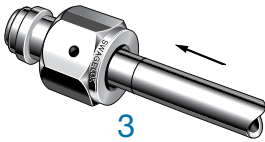
Swagelok® VCR® Fitting Installation Instructions



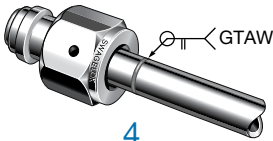
1



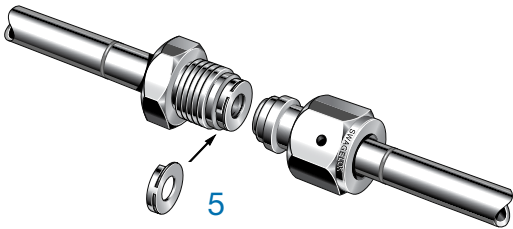
2



3



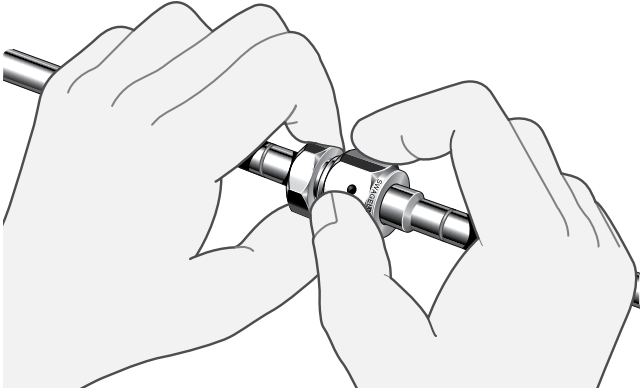
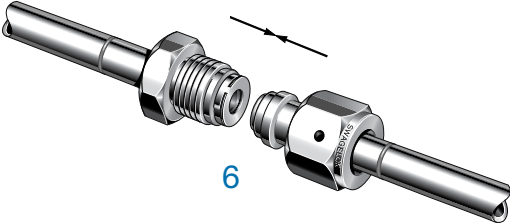
4



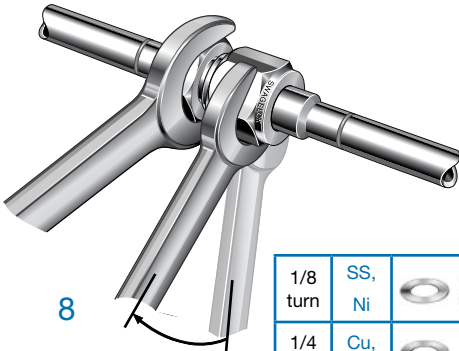
5



Swagelok® VCR® Fitting Installation Instructions



7 Finger-tight



1/8 turn	SS, Ni	
1/4 turn	Cu, Al	