

# Series 10

## Weld Head



## User's Manual

English. . . . .	1
German (Deutsch) . . . . .	37
Japanese (日本語). . . . .	73



# Series 10

## Weld Head



## User's Manual

Swagelok®

# Contents

<b>Weld Head. . . . .</b>	<b>3</b>
<b>Fixture Block . . . . .</b>	<b>3</b>
<b>Unpacking the Weld Head Components . . . . .</b>	<b>4</b>
<b>Installing the Weld Head. . . . .</b>	<b>5</b>
<b>Installing the Electrode in the Weld Head . . . . .</b>	<b>6</b>
<b>Calculating Arc Gap Gage Settings. . . . .</b>	<b>8</b>
<b>Setting the Arc Gap . . . . .</b>	<b>9</b>
<b>Fixturing the Work . . . . .</b>	<b>14</b>
<b>Maintenance . . . . .</b>	<b>19</b>
<b>Parts Drawings . . . . .</b>	<b>27</b>



## Weld Head

The Series 10 SWS weld heads deliver consistent, precise welds for outside diameters from 1/4 to 1 in. and 6 to 25 mm.

A DC motor in the weld head drives a rotor, which carries the tungsten electrode around the weld joint. Optical circuitry in the weld head sends precise feedback to the power supply to control the speed of the rotor.

All moving parts in the weld head are mounted in low-friction devices to provide smooth, consistent operation.

A spring-loaded, floating brush continuously contacts approximately one-third of the circumference of the rotor. This configuration ensures consistent, uniform electrical conductance to the rotor and electrode.

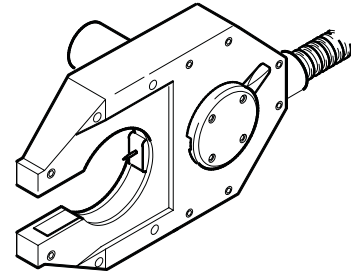


Figure 1 Series 10 Weld Head

## Fixture Block

The Series 10 SWS fixture block accurately aligns and holds tubing, fittings, and valve bodies. The modular design allows you to select different side plates and create the configuration needed for the job.

The fixture block is separate from the weld head, allowing work pieces to be easily aligned and fixtured before welding. Using multiple fixture blocks can increase productivity.

Each fixture block is designed to accommodate a range of work piece sizes. A Universal Collet Insert (UCI) fits into the fixture block to match the diameter of the work piece. The collet design firmly holds tubing and fittings that vary  $\pm 0.005$  in. (0,13 mm) from nominal outside diameter. The collets exchange quickly, making the fixture block very adaptable to changing work requirements.

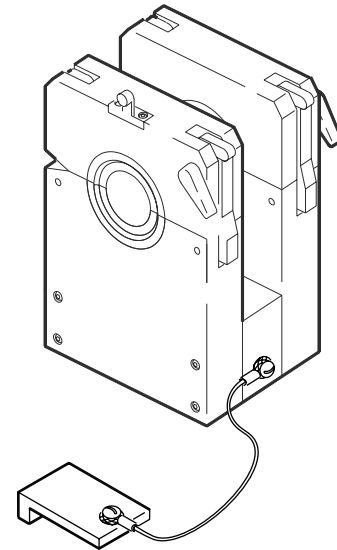


Figure 2 Series 10 Fixture Block

## Unpacking the Weld Head Components

The following weld head components are packaged in a foam-lined shipping container:

- weld head
- arc gap gage
- electrode package
- tool package

Perform the following steps when your Swagelok Series 10 weld head arrives:

1. Inspect the container for damage.
2. Remove the components from the container.
3. Check the items for any damage.
4. Verify that the weld head serial number matches the serial number on the shipping container.
5. Record the model and serial numbers, and the delivery dates on the *Registration Information* page of your power supply user's manual.

## Installing the Weld Head

The weld head has four connectors that plug into the power supply.

The four connectors on the cable are:

- weld head
- electrode (red)
- work (green)
- weld head shielding gas

Connect the four connectors to the side panel of the power supply by performing the following steps (see Figure 4):

1. Locate the weld head.
2. Align the notch on the one-quarter turn connector with the small tab in the mating socket on the side panel labeled WELD HEAD. Insert the connector in the socket. Turn the connector sleeve clockwise by hand until it is tight. This connection provides the control signals to drive the weld head.
3. Insert and fully seat the red connector into the socket on the side panel labeled ELECTRODE. Twist the connector 1/4-turn clockwise to lock it into place. This connection is the negative (-) terminal of the weld head.
4. Insert the green connector into the socket on the side panel labeled WORK. Twist the connector 1/4-turn clockwise to lock it into place. This connection is the positive (+) terminal of the weld head.
5. Insert the weld head shielding gas connector into the Swagelok Quick-Connect stem labeled TO WELD HEAD. Ensure that the connector is firmly attached. This connection provides shielding gas to the weld head through a mass flow controller (MFC) in the power supply.

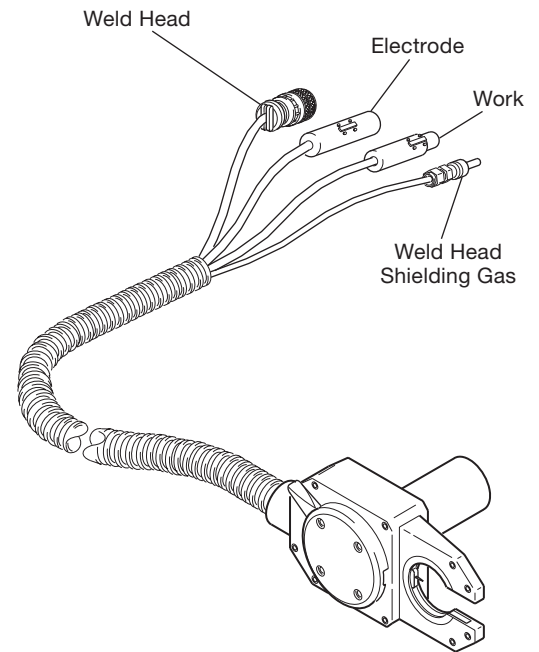


Figure 3 Weld Head

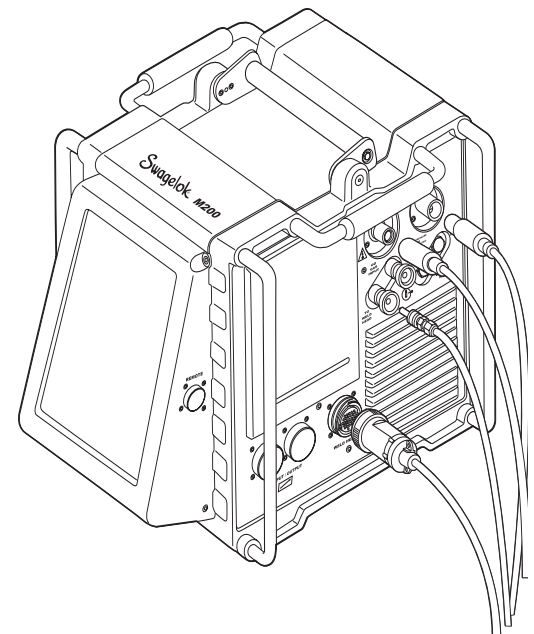


Figure 4 Weld Head Connectors



### Caution!

Ensure that the weld head connector is fully seated in the mating socket and the threaded sleeve is tight.

### Note:

The weld head shielding gas connector must be a single-end shut-off (SESO) Swagelok Quick-Connect stem (SS-QC4-S-400).

Swagelok

## Installing the Electrode in the Weld Head

This Swagelok weld head comes with a selection of electrodes. The following instructions show how to properly install an electrode in the weld head.

### Selecting the Proper Electrode

Electrode length and diameter depend on your weld head model and the outside diameter of the work piece being welded. To select the correct electrode use the Electrode Selection Table.

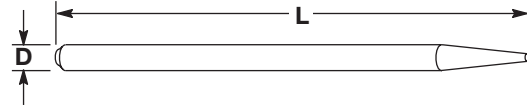


Figure 5 Electrode Dimensions

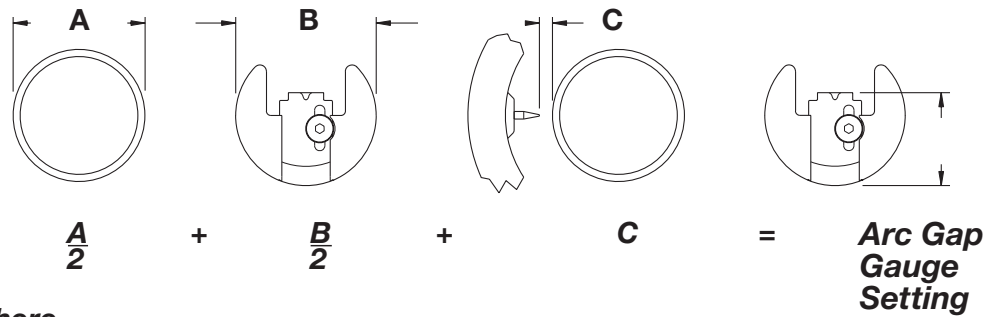
Table 1 Electrode Selection Table

Electrode Ordering No.	Component OD	Electrode Length (L)	Electrode Diameter (D)
CWS-C.062-1.105-P	1/4 in.	1.105 in. (28,07 mm)	0.062 in. (1,57 mm)
	3/8 in.		
	1/2 in.		
	6 mm		
	8 mm		
	10 mm		
	12 mm		
CWS-C.062-.855-P	14 mm	0.855 in. (21,72 mm)	0.062 in. (1,57 mm)
	15 mm		
	3/4 in.		
	7/8 in.		
	18 mm		
	22 mm		
1 in.	0.062 in. (1,57 mm)		
23 mm			
25 mm			



## Calculating Arc Gap Gage Settings

To determine the arc gap gage setting for a specific arc gap, use the formula below.



### Where

$A$  = largest OD on the weld end of the tubing or fitting (welding diameter).

$B$  = Arc gap gage diameter

$C$  = desired arc gap

Figure 7 Arc Gap Gage Setting Formula

### Example No. 1: (Series 10 Weld Head)

1/2 to 1/2 in. tube butt weld - largest outside diameter  $A = 0.503$  in.

Arc gap gage diameter  $B = 1.994$  in.

Desired arc gap  $C = 0.040$  in.

$$\frac{0.503 \text{ in.}}{2} + \frac{1.994}{2} + 0.040 \text{ in.} = 1.288 \text{ in.}$$

### Example No. 2: (Series 10 Weld Head)

12 to 12 mm tube butt weld - largest outside diameter  $A = 12,07$  mm

Arc gap gage diameter  $B = 50,65$  mm

Desired arc gap  $C = 1,02$  mm

$$\frac{12,07 \text{ mm}}{2} + \frac{50,65 \text{ mm}}{2} + 1,02 \text{ mm} = 32,38 \text{ mm}$$

## Setting the Arc Gap

The proper arc gap setting facilitates control of the weld and improves consistency. The following steps cover how to set the arc gap.

The arc gap is set by using the arc gap gage provided with the weld head. The gage is adjusted for the desired arc gap and then installed in the rotor. With the gage in place, the electrode can be positioned with reasonable accuracy.

## Setting the Arc Gap Gage

1. Measure the outside diameters of the work pieces being welded using a caliper or micrometer. See Figure 8(A). The M200 will calculate the arc gap gage setting when using the Auto Create feature.
2. Refer to the tables on page 10 for your nominal OD. Find the "actual" outside diameter nearest to your measurement.
3. Adjust the arc gap gage to match the setting from the tables on page 10. See Figure 8(B).

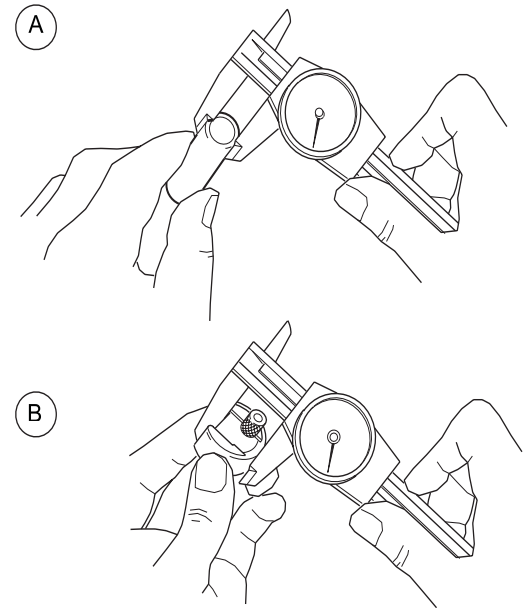


Figure 8 Setting the Arc Gap Gage

Table 2 SWS-10H Arc Gap Gage Dia. 1.994 in.

Nominal OD (in.)	Actual OD (in.)	Setting for 0.025 in. Arc Gap (in.)	Setting for 0.030 in. Arc Gap (in.)	Setting for 0.035 in. Arc Gap (in.)	Setting for 0.040 in. Arc Gap (in.)	Setting for 0.045 in. Arc Gap (in.)	Setting for 0.050 in. Arc Gap (in.)	Setting for 0,5 mm Arc Gap (mm)	Setting for 0,64 mm Arc Gap (mm)	Setting for 0,76 mm Arc Gap (mm)	Setting for 1,02 mm Arc Gap (mm)	Setting for 1,14 mm Arc Gap (mm)
1/4	0.250	1.147	1.152	1.157	1.162	1.167	1.72	29,00	29,14	29,26	29,52	29,64
3/8	0.375	1.209	1.214	1.219	1.224	1.229	1.234	30,58	30,72	30,84	31,10	31,22
1/2	0.500	1.272	1.277	1.282	1.287	1.292	1.297	32,18	32,32	32,44	32,70	32,82
5/8	0.625	1.335	1.340	1.345	1.350	1.355	1.360	33,76	33,90	34,02	34,28	34,40
3/4	0.750	1.397	1.402	1.407	1.412	1.417	1.422	35,35	35,49	35,61	35,87	35,99
7/8	0.875	1.460	1.465	1.470	1.475	1.480	1.485	36,94	37,08	37,20	37,46	37,58
1	1.000	1.522	1.527	1.532	1.537	1.542	1.547	38,53	38,67	38,79	39,05	39,17

Table 3 SWS-10H Arc Gap Gage Dia. 50,65 mm.

Nominal OD (mm)	Actual OD (mm)	Setting for 0,50 mm Arc Gap (mm)	Setting for 0,64mm Arc Gap (mm)	Setting for 0,76mm Arc Gap (mm)	Setting for 1,02mm Arc Gap (mm)	Setting for 1,14 mm Arc Gap (mm)
6	6,00	28,83	28,97	29,09	29,35	29,47
8	8,00	29,83	29,97	30,09	30,35	30,47
10	10,00	30,83	30,97	31,09	31,35	31,47
12	12,00	31,83	31,97	32,09	32,35	32,47
18	18,00	34,83	34,97	35,09	35,35	35,47
22	22,00	36,83	36,97	37,09	37,35	37,47
23	23,00	37,33	37,47	37,59	37,85	37,97
25	25,00	38,33	38,47	38,59	38,85	38,97

Table 4 SWS-10H Arc Gap Gage Dia. For ATW Fittings

ATW Size	Cuff OD	Setting for 0.045 in. (1,14 mm) Arc Gap
1/4 in.	0.29 in.	1.186 in
3/8 in.	0.41 in.	1.248 in.
1/2 in.	0.55 in.	1.316 in.
3/4 in.	0.80 in.	1.441 in.
1 in.	1.06 in.	1.571 in.
6 mm	7,0 mm	29,97 mm
8 mm	9,0 mm	30,98 mm
10 mm	11,0 mm	31,98 mm
12 mm	13,2 mm	33,10 mm
18 mm	19,2 mm	36,11 mm
23 mm	25,4 mm	38,5 mm



## Inserting the Electrode into a Rotor

1. Without the fixture block attached, press **ELECTRODE CHANGE** on the operator panel. The electrode will move to the position shown in Figure 9.
2. Loosen the two electrode clamping screws. If you are replacing the electrode, remove the electrode.
3. Insert the new electrode, with the sharp tip pointing out. Tighten the electrode clamping screws slightly to hold it in place temporarily.
4. Set the proper arc gap with the arc gap gage.

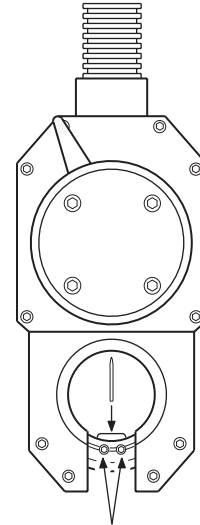


Figure 9 Electrode Installation



### WARNING!

**DO NOT PRESS START WHILE TOUCHING THE ELECTRODE.**



### Caution!

**Do not jog or move the rotor unless the electrode is clamped in place.**



### Caution!

**The rotor will move when ELECTRODE CHANGE is pressed. The rotor is a potential pinch point.**

## Setting the Arc Gap

1. Use **JOG** or **ELECTRODE CHANGE** to position the rotor. This allows access to the electrode clamping screws.
2. Insert the arc gap gage into the rotor. See Figure 10(A).
3. Tilt the weld head upward. Loosen the electrode screws allowing the electrode to drop onto the gage surface. See Figure 10(B).
4. Tighten the electrode clamping screws just enough to secure the electrode. Remove the arc gap gage.
5. Press **HOME** or **ELECTRODE CHANGE** to return the rotor to the home position.

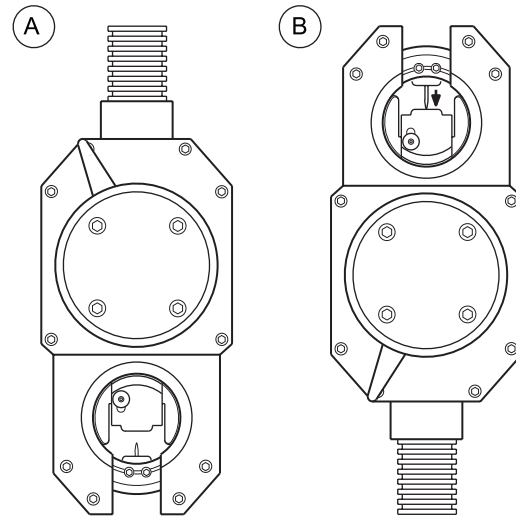


Figure 10 Setting the Arc Gap



**Caution!**

Do not jog or move the rotor unless the electrode is clamped in place.



**Caution!**

The rotor will move when **JOG**, **ELECTRODE CHANGE** or **HOME** is pressed. The rotor is a potential pinch point.

## Preparing the Work

It is important to prepare the tube pieces properly before welding. Refer to Figure 11.

Tubing must be square and burr-free to ensure repeatable, high-quality autogenous fusion welds. Cut the tubing to length with a hacksaw or tube cutter. Face the tube ends with a lathe or a portable facing tool. Deburr the ends, making sure that both the inside and outside diameters are square and burr-free. Clean the tube ends using an appropriate solvent.

Minimize the chance of a poor quality weld by following these guidelines:

- Tube ends must be square.
- Tube ends must not have a wall thickness variation exceeding  $\pm 15\%$  of nominal.
- Tube ends must be burr-free.
- Tube ends must be free of any rust, grease, oil, paint, or other surface contaminants.

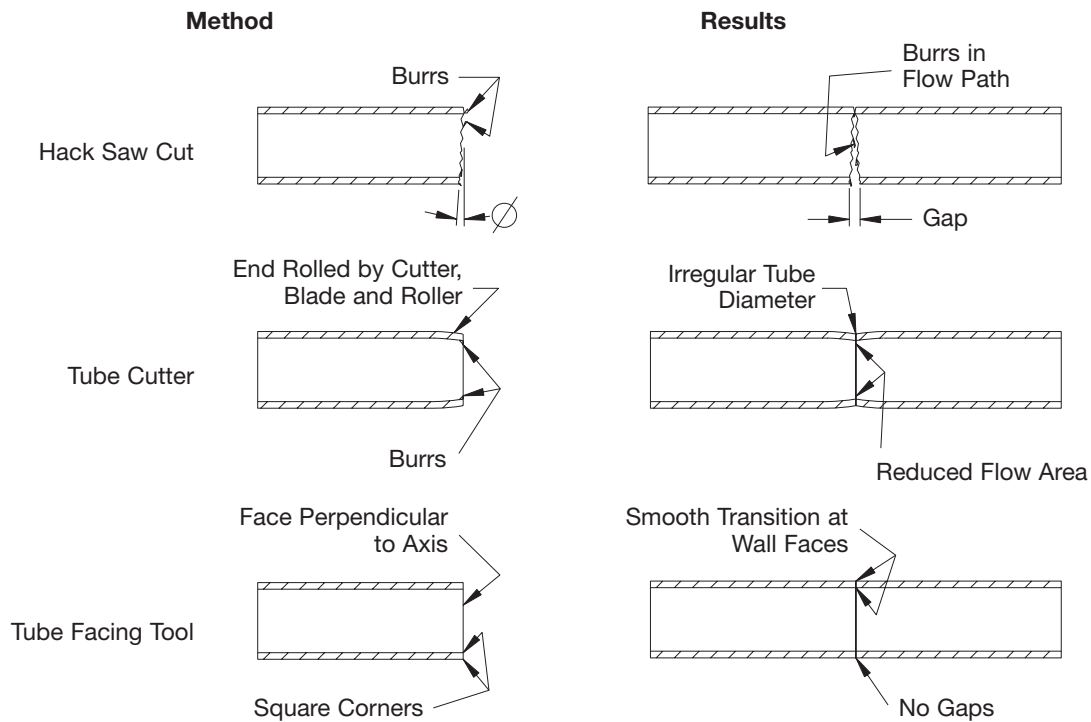


Figure 11 Tube Preparation

## Fixturing the Work

Select or configure the appropriate fixture block. Select the collets to match the work outside diameter.

### Selecting the Fixture Block and Collets

1. Select the fixture block that accepts the outside diameter of the tube to be welded. Refer to Table 5.

Table 5 Fixture Blocks

Model	OD Capacity	Minimum Weld Extension Length
CWS-10TFB	1/4 to 1 in. (6 to 25 mm)	3/4 in. (19 mm) (counter-bored) 15/16 in. (24 mm) (no counter-bore)

2. Select the proper collets for the diameter of the parts being welded. Refer to Table 6.

Table 6 Collets

Model	OD Capacity	Comments
CWS-10UCI-X ① (counter-bored)	1/4 in. to 1 in. (6 to 25 mm)	Tubing/fittings
CWS-10UCI-XT ① (no counter-bore)	1/4 in. to 1 in. (6 to 25 mm)	Tubing/fittings

① Where X identifies the collet size in 1/16ths or metric (MM suffix)

### Installing the Collets in a Tube Fixture Block

1. Release both levers and open the tube fixture block. See Figure 12.
2. Install the collet halves in both the top and bottom side plates and tighten the collet screws. Make sure the collet shoulder is flush against the fixture side plate. See Figure 13.

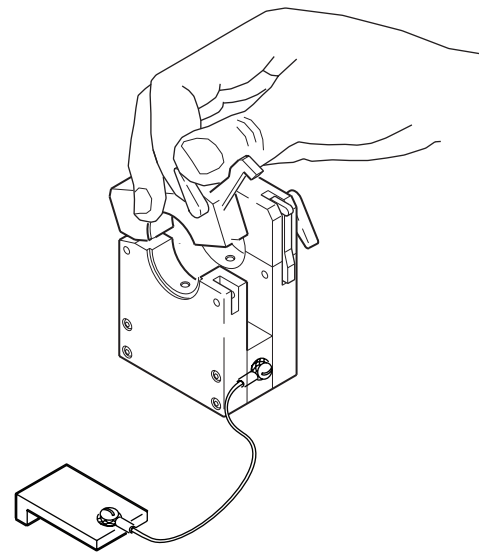


Figure 12 Opening the Fixture Block

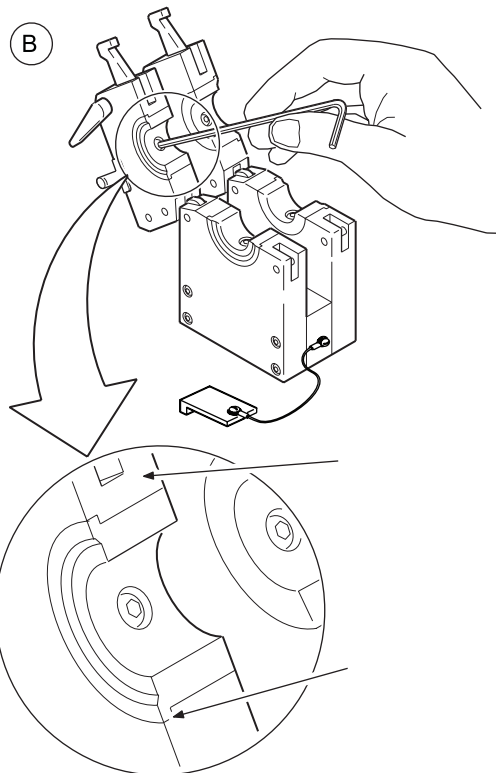
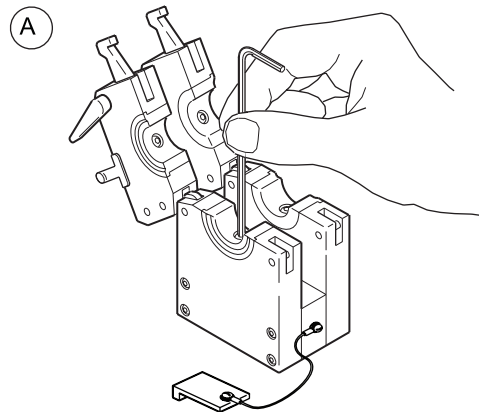


Figure 13 Installing Collets

### Aligning the Work Pieces in the Tube Fixture Block

1. Place the centering gage in one side of the tube fixture block. The centering gage must span the width of the collet. See Figure 14.
2. Butt one work piece against the centering gage. See Figure 15(A).
3. Lock down the top side plate. See Figure 15(B).
4. Remove the centering gage.

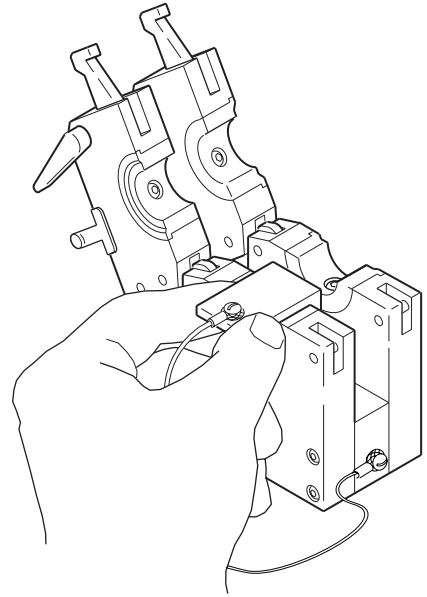


Figure 14 Place the Centering Gage

**Note:**

*When welding a Swagelok ATW fitting to tubing, butt the tubing against the centering gage first.*

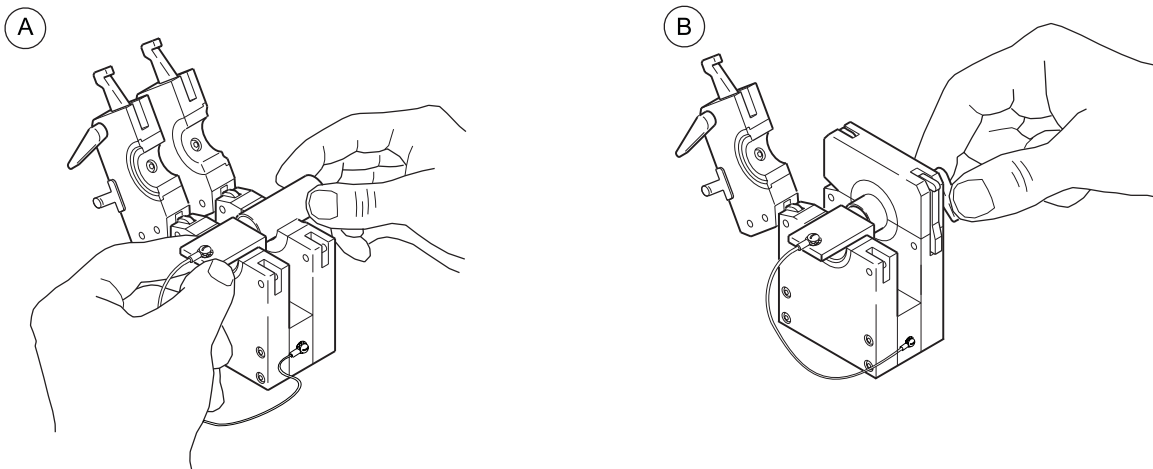


Figure 15 Placing First Work Piece in the Fixture Block

5. Butt the second work piece against the first work piece, and lock down the top side plate. See Figure 16.
6. Inspect 360° around the weld joint for fit and alignment. If the alignment is not correct proceed to the next section.

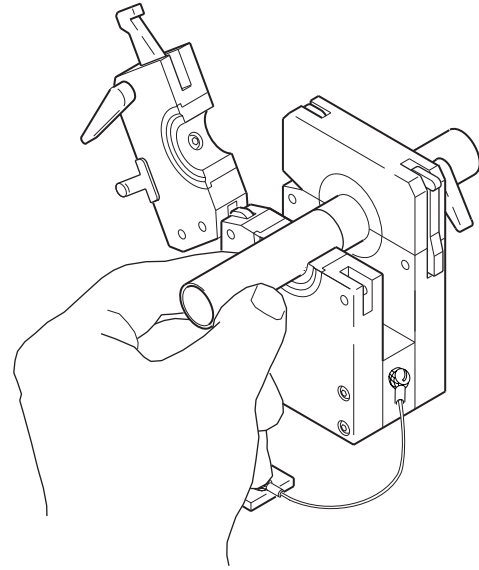


Figure 16 Placing Second Work Piece

### Adjusting the Tube-to-Tube Fixture Block

In order to maintain precise alignment of the work pieces in the fixture block, the side plates must be periodically aligned.

To align the fixture block, follow these steps:

1. Turn the fixture block over and locate the directional arrows on the plenum. The arrows point to the appropriate side plate. See Figure 17.
2. Using the provided 3/32 in. hex wrench, unscrew the four cap screws in the appropriate side plate just enough to loosen it from the plenum. See Figure 17 to locate the appropriate side plate.
3. Turn the fixture block upright and release both levers and open both sides of the fixture block.

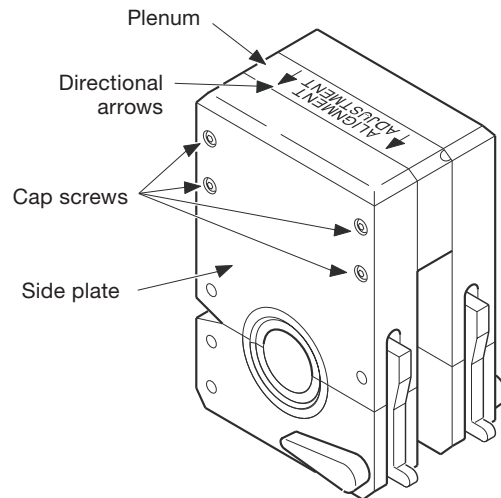


Figure 17 Loosening the Side Plate

4. Place a straight length of tubing (minimum length 1.50 in [38,1 mm]) in the collets such that it rests across both side plates.
5. Close and lock the side plate that is not adjustable. See Figure 18.
6. Lock down the top of the loosened side plate.
7. Tighten the four cap screws in the loosened side plate. Take care to tighten the screws evenly to prevent the side plate from slipping.
8. Open the side plates and remove the tubing.

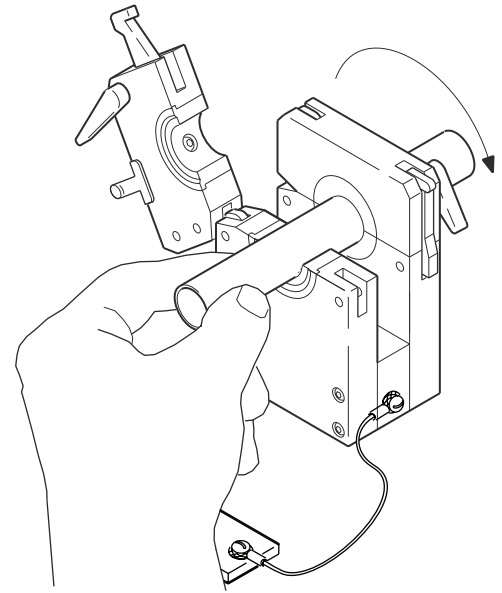


Figure 18 Placing the Tubing

**Mating the Weld Head to the Fixture Block**

1. Rotate the locking lever on the weld head counter-clockwise until it stops. See Figure 19.
2. Insert the weld head into the fixture block. See Figure 20(A).
3. Rotate the locking lever clockwise to secure the weld head. See Figure 20(B).

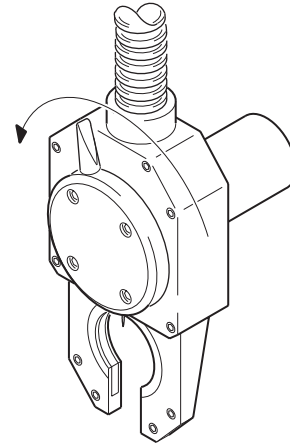


Figure 19 Releasing the Locking Lever

**Operating the Weld Head**

Operate the weld head using the following parameters:

<b>Shield Gas Flow Rate std ft<sup>3</sup>/hr (std L/min)</b>	10 to 20 ① (4,7 to 9,4)
<b>Prepurge and Postpurge minimum time in seconds</b>	20 ②
<b>Maximum Recommended Average Amps</b>	75 Amps at 50% Duty Cycle ③

- ① Set flow to higher rates when welding at high current rates.  
 ② Flow should be continuous for cooling when welding at high current rates.  
 ③ Output amps may be reduced when using optional weld head extension cables.

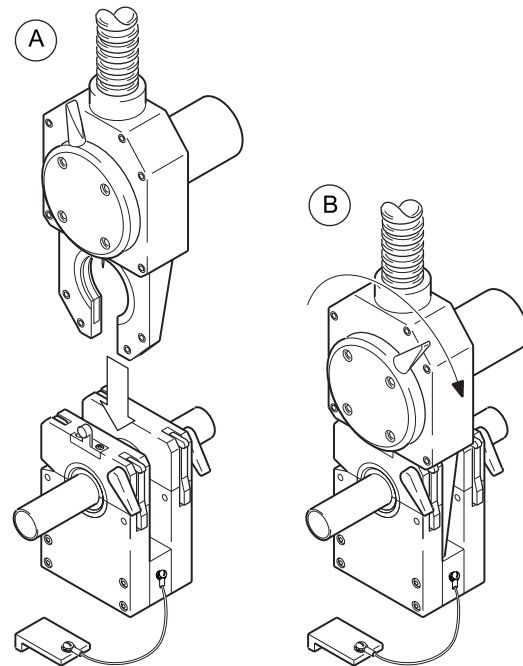


Figure 20 Mating the Weld Head to the Fixture Block



## Maintenance

To ensure your Swagelok Welding System (SWS) equipment is always in proper working order, you must perform periodic maintenance on the system components.

This section describes the procedures necessary for maintaining the fixture blocks and weld heads.

For detailed part drawings and information, refer to the Part Drawings at the end of this manual.

Perform fixture block maintenance daily and after every 40 hours of welding time. Depending on usage and wear, maintenance may be performed before the 40-hour interval.

### Fixture Block Daily Maintenance

At the start of each work day:

1. Inspect the fixture block for cleanliness, wear and damage.
2. Remove dirt, carbon, and vapor deposits from the fixture block with a clean, soft cloth. A solvent such as alcohol or acetone can be used. Remove heavier deposits with a fine-grit abrasive pad.

At the end of each workday, clean and then store the fixture block in a dry place.

*Note:*

*If you experience problems while performing the procedures in this section, refer to the Troubleshooting section in the power supply user manual or contact your authorized Swagelok representative.*

## Fixture Block Periodic Maintenance

Every 700 to 900 welds:

1. Inspect and clean the collets. See Figure 21(A).
2. Check for scratches and dents.
3. Remove dirt and oxides from all surfaces of the collet with a soft stainless steel wire brush.
4. Remove any oxides from the non-anodized mating surfaces of the side plates with a fine-grit abrasive pad. See Figure 21(B).
5. Remove any dirt and oxides from the inside surfaces of the side plates with a clean, soft cloth. See Figure 21(C). Remove heavier deposits with a fine-grit abrasive pad.
6. Check the lever cam and latch for smooth operation. See Figure 22.
  - a. Remove lever cam by removing the set screw from the latch and pulling the lever cam from the fixture block.
  - b. Clean the lever cam.
  - c. Replace the set screw and verify that it is locked tightly in position.
7. Verify the fixture block will properly secure the work piece.
  - a. Install collets into one side of the fixture block.
  - b. Insert nominal sized tubing and close the fixture block using the lever cams.
  - c. Verify the tubing does not rotate in the collets.
  - d. Verify the tubing does not slide side-to-side in the collets.
  - e. Verify the tubing does not move up and down or left to right in the collets.
  - f. Repeat for the other side of the fixture block.

Contact your authorized Swagelok representative to return the fixture block for service.

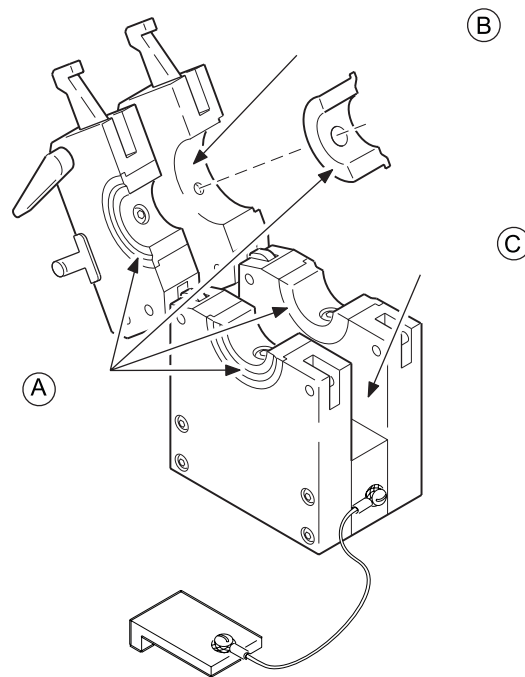


Figure 21 Cleaning the Collets and Collet Mounting Surfaces

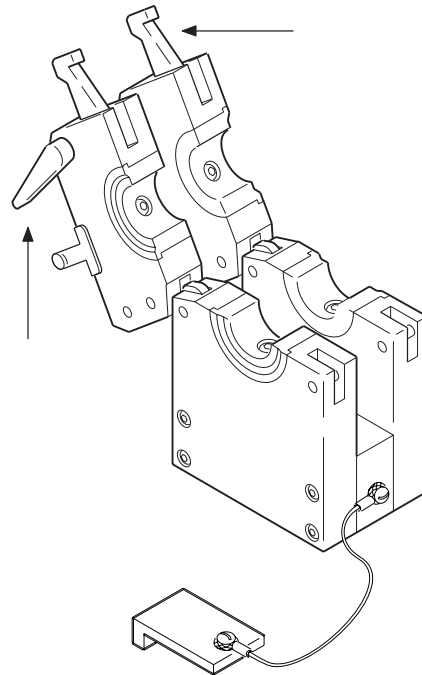


Figure 22 Lever Cam and Latch

**Note:**  
If any wear or damage is found or the fixture block is not properly securing the work piece, the fixture block should not be used.

## Weld Head Daily Maintenance

Perform weld head maintenance daily and every 700 to 900 welds. Depending on usage and wear, maintenance may be performed before the 700-weld mark.

At the start of each work day:

1. Inspect the weld head for cleanliness. Pay close attention to the rotor area.
2. Press **JOG**. Check the rotor for smooth rotation. Press JOG to stop the rotor motion. If the rotation is erratic or noisy, disassemble the weld head and clean the rotor, gears, and brush. See **Weld Head Disassembly and Cleaning**.
3. Press **HOME** to return the rotor to the HOME position.

At the end of each work day:

1. Remove dirt, carbon, and vapor deposits from the weld head with a clean, soft cloth and a solvent such as isopropyl alcohol.
2. Store the weld head in a clean, dry place.



### WARNING!

**DISCONNECT THE WORK AND ELECTRODE CABLES FROM THE POWER SUPPLY BEFORE PERFORMING THE ADJUSTMENT OR MAINTENANCE.**

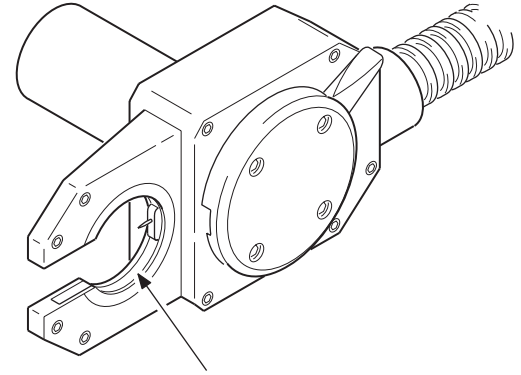


Figure 23 Inspect Exposed Surfaces of the Weld Head



### Caution!

**Do not use lubricants inside the weld head.**



### Caution!

**The rotor will move when JOG is pressed. The rotor is a potential pinch point.**

## Weld Head Disassembly and Cleaning

This section describes how to disassemble the weld head and rotor.

### Weld Head

To disassemble the weld head, follow these steps:

1. Blow any loose material from the weld head assembly with clean, low-pressure air.
2. Remove the four screws, locking ring, and locking ring plate. See Figure 24.
3. Remove the work extension screw with lock washer, and the work extension. Inspect the work extension for pitting, wear, or damage. See Figure 25.
4. Replace work extension if necessary. Refer to **Parts Drawings** for part ordering information.

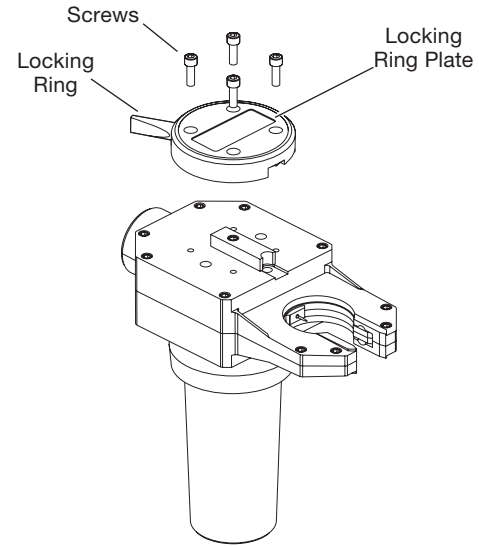


Figure 24 Removing the Locking Ring and Locking Ring Plate

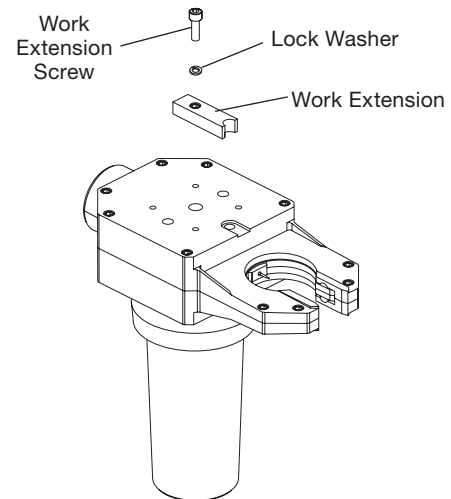


Figure 25 Removing the Work Extension

5. Remove the weld head housing screws from the housing. Using a slight rocking motion, carefully separate the locking ring half of the weld head housing from the motor half. See Figure 26.
6. Carefully separate the weld head housing halves so that internal components are not damaged.
7. Remove the rotor from the motor half of the weld head housing. See Figure 27.
8. Carefully lift the power block subassembly out of the motor half of the weld head housing. See Figure 28.

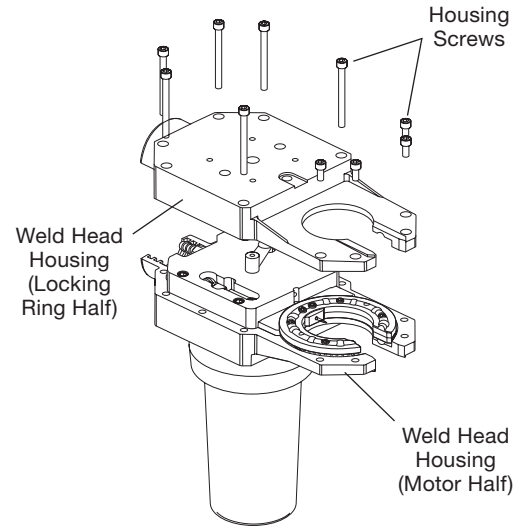


Figure 26 Removing the Locking Ring Half of the Weld Head Housing

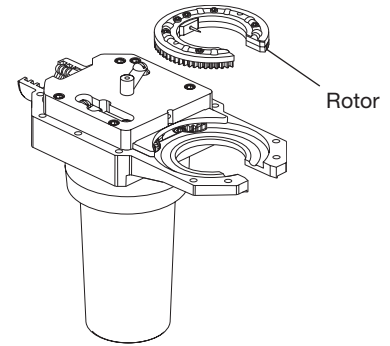


Figure 27 Removing the Rotor

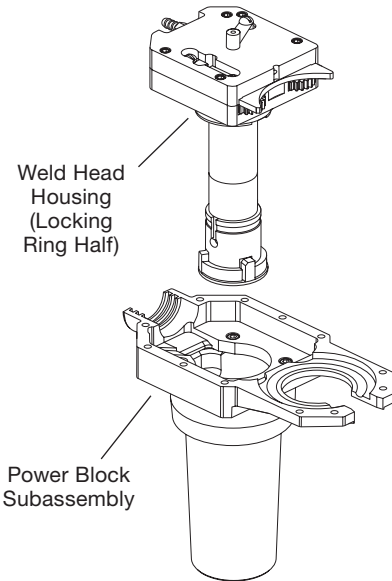


Figure 28 Removing the Power Block Subassembly

## 9. Examine the brush. See Figure 29.

Inspect and clean the brush using the following steps:

- a. Check the brush for excessive wear.
- b. Verify that the brush has a groove. Replace the brush if the groove is not present. Refer to **Parts Drawings** for part ordering information.
- c. Remove any oxidation from the brush with a fine-grit abrasive pad.

## 10. Blow any loose material from the power block assembly with clean, low-pressure air.

## 11. Verify that the two power strap screws are tight. See Figure 30.

## 12. Verify that the work plate screw is tight and free from excessive oxidation. See Figure 31. Clean the work plate with a fine-grit abrasive pad if necessary.

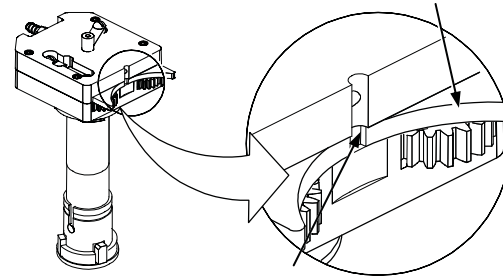
13. Inspect the gears for wear and replace if damaged. Refer to **Parts Drawings** for part ordering information.

Figure 29 Inspecting the Brush

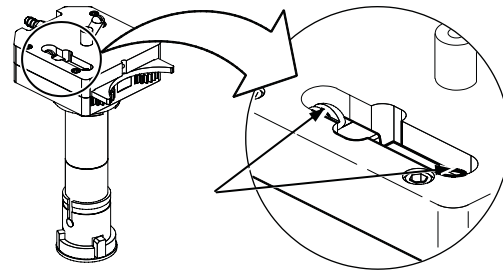


Figure 30 Inspecting the Power Strap Screws

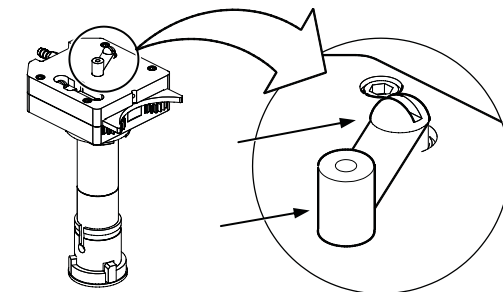


Figure 31 Inspecting the Work Plate and Screws

## Rotor

To disassemble the rotor, follow these steps:

1. Remove the rotor screws and the electrode clamping plate screws from the rotor. Remove the electrode from the ceramic insert. See Figure 32.
2. Place the rotor on a clean, dry surface with the rotor opening facing up. Separate the gear ring from the brush ring enough to clear the two rotor pins. See Figure 33.
3. Completely separate the gear ring from the brush ring as shown in Figure 34. Lay the rings flat on the work surface.
4. Remove the ball bearings from the gear and brush rings.
5. Inspect the ball bearings for wear and damage. Replace if necessary.
6. If the ball bearings are dirty, clean them with isopropyl alcohol or cleaning solution. Dry the balls thoroughly.

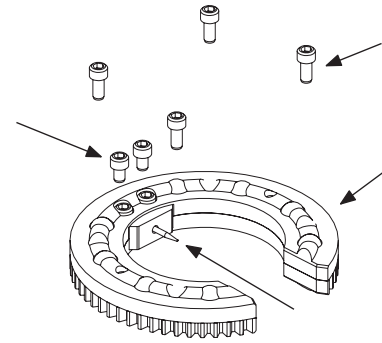


Figure 32 Removing the Rotor and Electrode Clamping Plate Screws

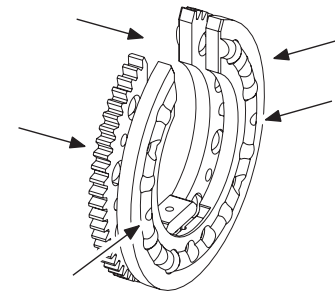


Figure 33 Placing the Rotor on the Work Surface

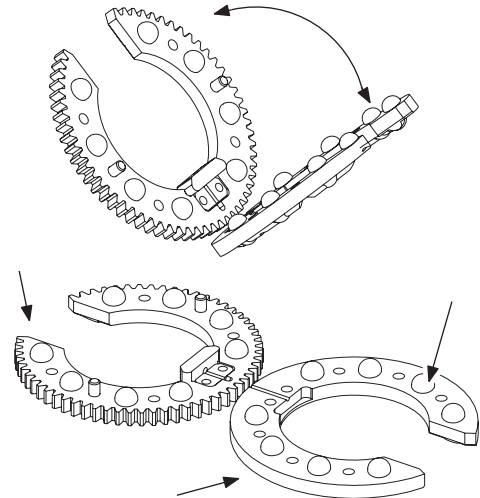


Figure 34 Separating the Gear Ring from the Brush Ring

7. Remove the ceramic insert. See Figure 35.
8. Inspect the ceramic insert. If it has carbon or other deposits, clean it with a fine-grit abrasive pad or soft nylon brush.
9. Remove the electrode clamping plate. Clean it with a fine-grit abrasive pad. See Figure 36.
10. Inspect the brush and gear rings for dirt or other deposits. Clean the rings with a fine-grit abrasive pad or soft stainless steel wire brush.
11. Dry all parts with clean, low-pressure air before reassembly.

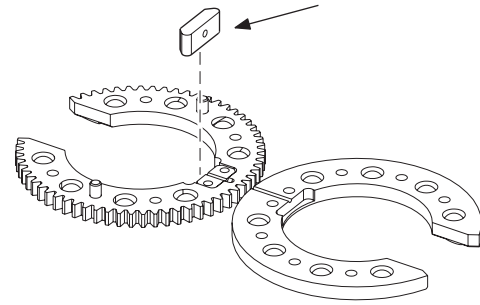


Figure 35 Removing The Ceramic Insert

## Weld Head Assembly

Assembly of the weld head and rotor is the reverse of the disassembly procedures.

To assemble the weld head, follow these steps:

1. Complete the steps in reverse order in **Rotor**.
2. Complete the steps in reverse order in **Weld Head Disassembly and Cleaning**.
3. Verify proper rotor position. See Figure 37.

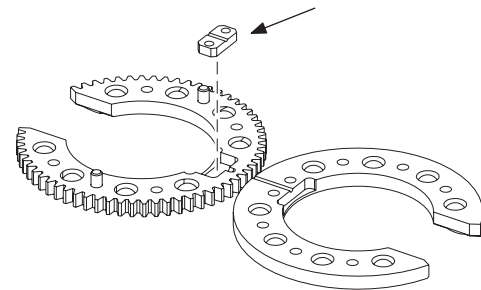


Figure 36 Removing the Electrode Clamping Plate



### Caution!

**Do not pinch any internal wiring during reassembly.**

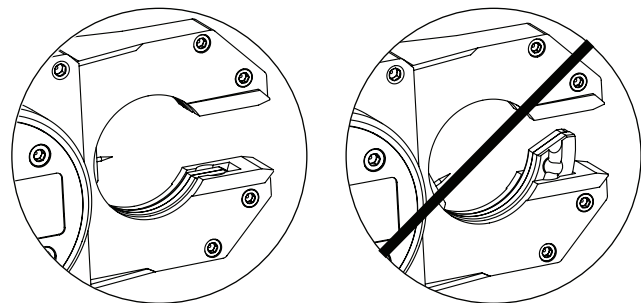


Figure 37 Rotor Position



## Parts Drawings

This section includes exploded assembly drawings and associated parts lists. These drawings are provided as a guide to identifying part names. For specific part ordering information, contact your Swagelok representative.

The parts identified in this section include:

- SWS-10H Weld Head
- SWS-10H Rotor Assembly
- SWS-10H Motor and Power Block Assembly
- CWS-10TFB Tube Fixture Block

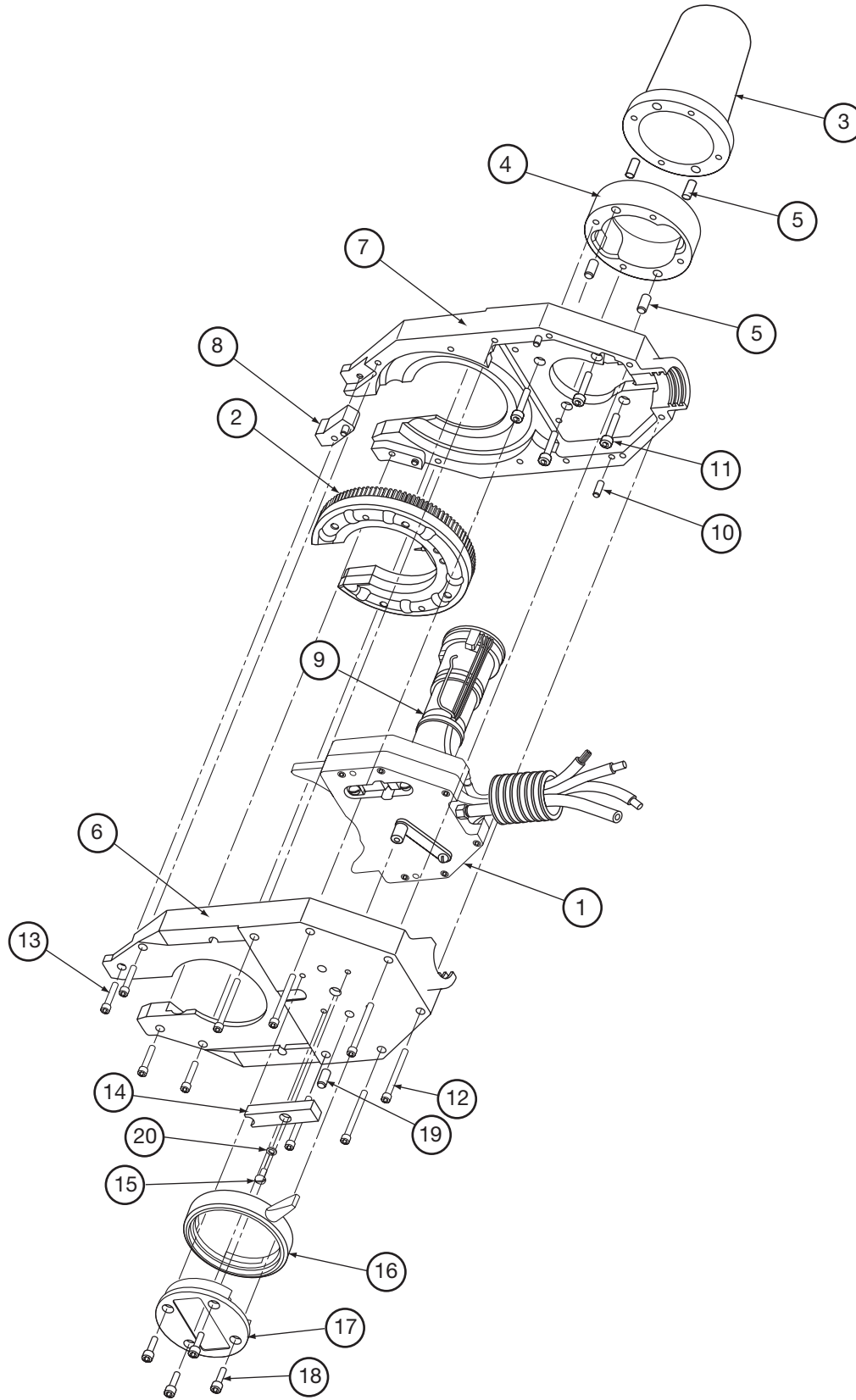


Figure 38 SWS-10H Weld Head

Swagelok

Table 7 SWS-10H Weld Head Parts List

Reference No.	Description	Ordering No.	Minimum Order Quantity
1	See Motor and Power Block Assembly Drawing	*	*
2	Rotor Assembly	11056	1
3	Motor Cover	SWS-WH-MT-CVR	1
4	Weld Head Motor Cover Extender	SWS-WH-MT-CVR-EXT	1
5	SS Dowel Pin	*	*
6	Housing (Work Side)	SWS-10H-D-WSH	1
7	Housing (Motor Side)	SWS-10H-D-MSH	1
8	Bearing Pad	21107	1
9	Motor Assembly	*	*
10	SS Dowel Pin	*	*
11	SS Socket Head Cap Screw, 6-32 x 1.000 in.	188-SCSA-138-32-1000	10
12	SS Socket Head Cap Screw, 4-40 x 1.250 in.	13162	10
13	SS Socket Head Cap Screw, 4-40 x 0.625 in.	13160	10
14	Work Extension Bar	21093	1
15	SS Button Head Screw, 4-40 x 0.250 in.	188-21066-RCEU	10
16	Locking Ring	21065	1
17	Locking Ring Plate	SWS-WH-LK-RNG-PLT	1
18	Plastic Socket Head Cap Screw, 6-32 x 0.437 in.	13105	10
19	SS Dowel Pin	*	*
20	Split Lock Washer	13208	10

For part ordering information, contact your authorized Swagelok representative.

\* Not available as a field replacement spare part.

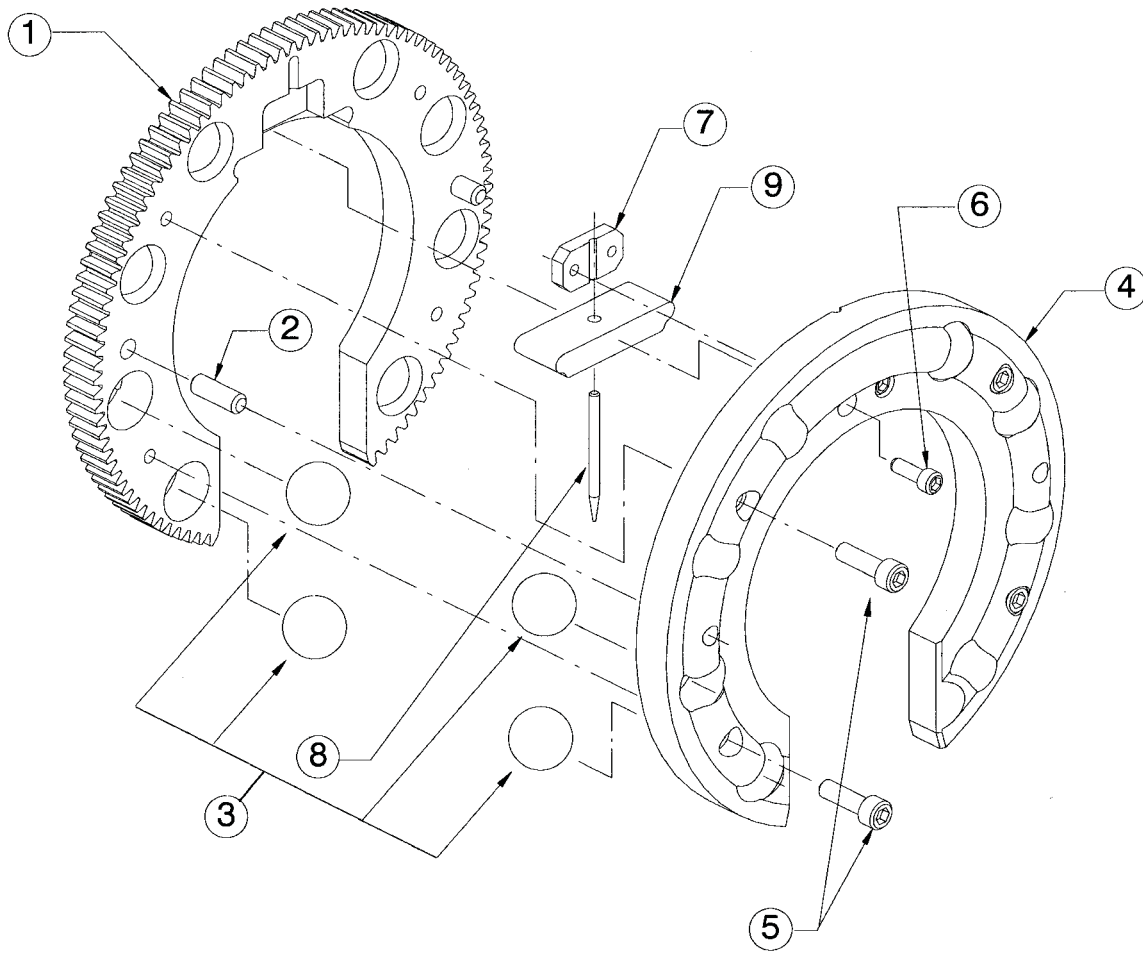


Figure 39 SWS-10H Rotor Assembly

Table 8 SWS-10H Rotor Assembly Parts List

Reference No.	Description	Ordering No.	Minimum Order Quantity
1	Rotor Gear Ring	10008-2	1
2	Dowel Pins	*	*
3	Plastic Ball Bearing, 0.375 in.	11154	10
4	Rotor Brush Ring	11209-B	1
5	SS Socket Head Cap Screw, 4-40 x 0.375 in.	13114	10
6	SS Socket Head Cap Screw, 2-56 x 0.250 in.	13176	10
7	Electrode Clamping Plate	11204	1
8	See Electrode Table (page 4)	-	-
9	Ceramic Insert	11210	1

For part ordering information, contact your authorized Swagelok representative.

\* Not available as a field replacement spare part.

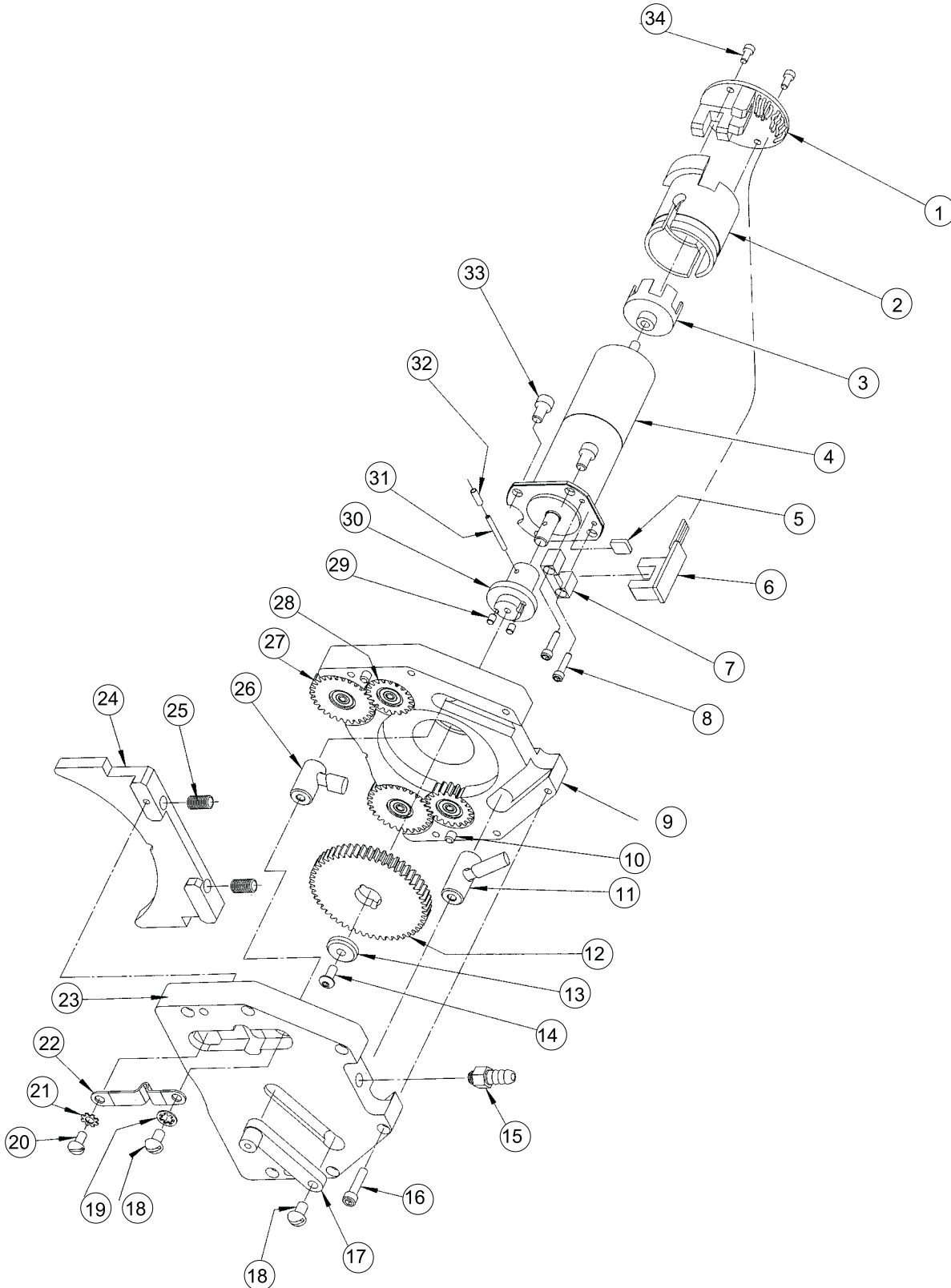


Figure 40 SWS-10H Motor and Power Block Assembly

Table 9 SWS-10H Motor and Power Block Assembly Parts List

Reference No.	Description	Ordering No.	Minimum Order Quantity
1	Encoder Circuit Board	10708	1
2	Sleeve Sensor Mount	*	*
3	Encoder Wheel	*	*
4	Motor	*	*
5	Home Sensor Mount Shim	11126	1
6	Home Sensor	10709	1
7	Home Sensor Mount	11125	1
8	SS Socket Head Cap Screw, 2-56 x 0.375 in.	13145	10
9	Power Block (Motor Side)	21156	1
10	SS Dowel Pin	*	*
11	Work Post	*	*
12	Drive Gear	SWS-10H-DR-GR	1
13	Retaining Washer	SWS-WH-DR-RET-WSHR	1
14	SS Button Head Cap Screw, 4-40 x 0.250 in.	13167	10
15	Purge Bayonet	B-BN4-K62	1
16	SS Socket Head Cap Screw, 4-40 x 0.500 in.	13163	10
17	Work Plate	11054	1
18	SS Round Head Screw, 6-32 x 0.250 in.	188-13124-RCEU	10
19	SS #6 Internal Tooth Lock Washer	13251	10
20	SS Pan Head Screw, 4-40 x 0.250 in.	188-21066-RCEU	10
21	SS #4 External Star Washer	13171	10
22	Power Strap	11117	1
23	Power Block (Work Side)	21208	1
24	Brush	SWS-10H-BRUSH	1
25	Brush Spring	11157	10
26	Power Post	*	*
27	Gear Assembly	10009-5	1
28	Gear Assembly	10009-4	1
29	SS Dowel Pin, 0.093 x 0.125 in.	13133	10
30	Drive Coupler	*	*
31	Drive Coupler Pin	*	*
32	Drive Coupler Pin Sleeve	*	*
33	SS Socket Head Cap Screw, 6-32 x 0.250 in.	13174	10
34	SS Socket Head Cap Screw, 2-56 x 0.187 in.	13111	10

For part ordering information, contact your authorized Swagelok representative.

\* Not available as a field replacement spare part.

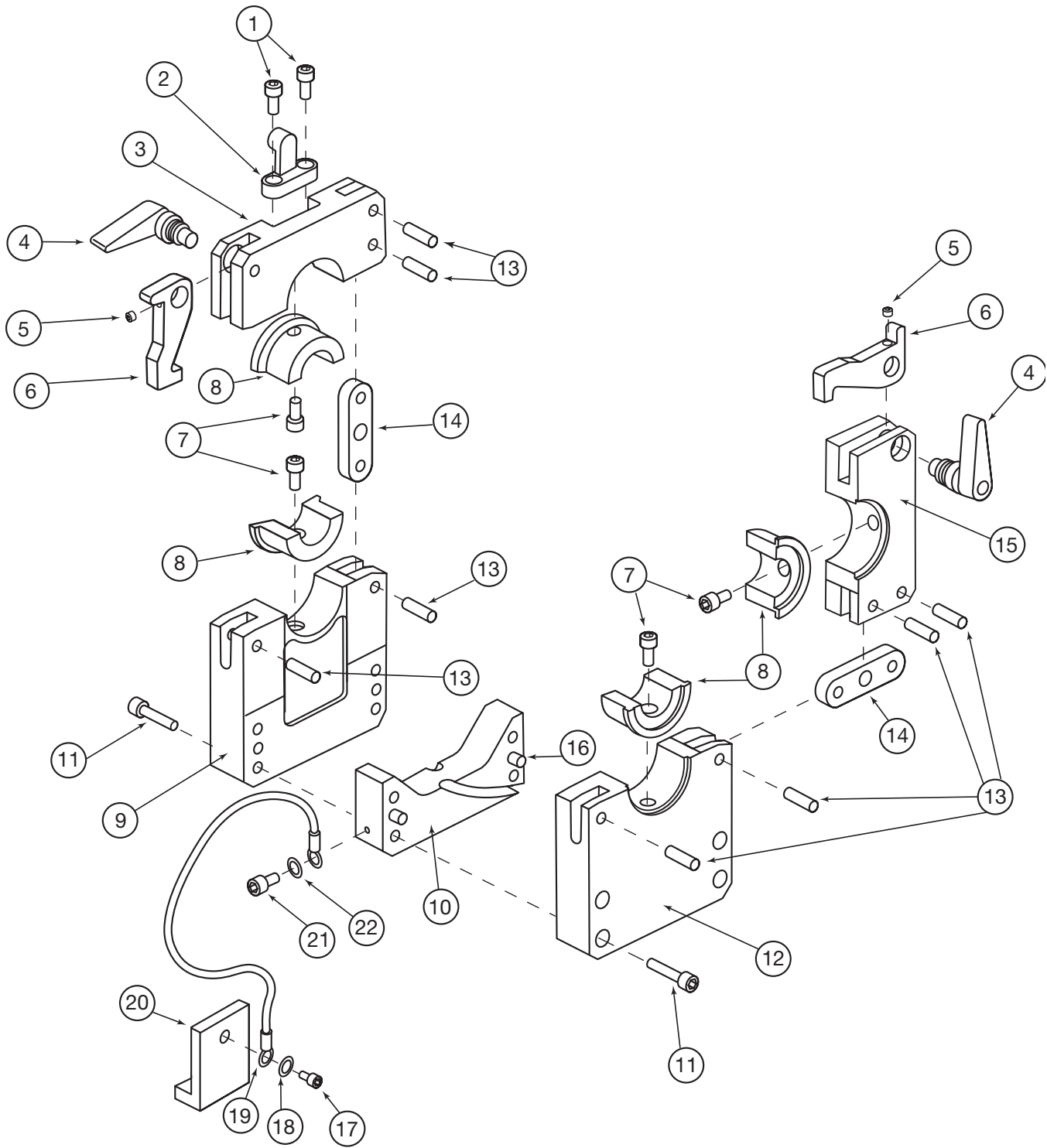


Figure 41 CWS-10TFB Tube Fixture Block



Table 10 CWS-10TFB Tube Fixture Block Parts List

Reference No.	Description	Ordering No.	Minimum Order Quantity
1	SS Socket Head Cap Screw, 4-40 x 0.250 in.	13112	10
2	Locking Tab	12148	1
3	Side Plate Assembly (Left)	CWS-10TSPL	1
4	Lever Cam Assembly	12130-2	1
5	SS Set Screw, 4-40 x 0.125 in.	12132	10
6	Latch	12146	1
7	SS Socket Head Cap Screw, 4-40 x 0.250 in.	13112	10
8	See Collet Tables (in Orbital Welding System, Series 10, MS-02-131)	-	-
9	Side Plate Assembly (Left)	CWS-10TSPL	1
10	Plenum Assembly	CWS-10PLEN	1
11	SS Socket Head Cap Screw, 10-24 x 0.625 in.	13118	10
12	Side Plate Assembly (Right)	CWS-10TSPR	1
13	Dowel Pin	*	*
14	Hinge	*	*
15	Side Plate Assembly (Right)	CWS-10TSPR	1
16	Dowel Pin	*	*
17	SS Socket Head Cap Screw, 4-40 x 0.187 in.	13207	10
18	SS #4 External Star Washer	13171	10
19	12 in. Lanyard	13231	1
20	Centering Gage	CWS-10CG	1
21	SS Socket Head Cap Screw, 4-40 x 0.250 in.	13112	10
22	SS 10 External Star Washer	13131	10

For part ordering information, contact your authorized Swagelok representative.

\* Not available as a field replacement spare part.

### **Warranty Information**

Swagelok products are backed by The Swagelok Limited Lifetime Warranty. For a copy, visit [swagelok.com](http://swagelok.com) or contact your authorized Swagelok representative.



# Serie 10

## SCHWEIßKOPF



## Benutzerhandbuch

Swagelok®

# Inhaltsverzeichnis

<b>Schweißkopf . . . . .</b>	<b>39</b>
<b>Spannblock . . . . .</b>	<b>39</b>
<b>Auspacken der Schweißkopfkomponenten . . . . .</b>	<b>40</b>
<b>Anschließen des Schweißkopfes . . . . .</b>	<b>41</b>
<b>Installieren der Elektrode im Schweißkopf. . . . .</b>	<b>42</b>
<b>Berechnung der Einstellungen der Lichtbogenlehre . . . .</b>	<b>44</b>
<b>Einstellen der Lichtbogenlänge. . . . .</b>	<b>45</b>
<b>Einspannen der Werkstücke. . . . .</b>	<b>50</b>
<b>Wartung . . . . .</b>	<b>55</b>
<b>Einzelteilzeichnungen . . . . .</b>	<b>63</b>

## Schweißkopf

Die SWS Schweißköpfe der Serie 10 liefern gleichmäßige, präzise Schweißungen für Außendurchmesser von 6 bis 25 mm und 1/4 bis 1 Zoll.

Ein Gleichstrommotor im Schweißkopf bewegt den Rotor, der die Wolframelektrode um die Schweißstelle führt. Optische Sensoren im Schweißkopf übertragen präzise Rückmeldungen an die Steuereinheit zur Steuerung der Rotorgeschwindigkeit.

Alle beweglichen Teile im Schweißkopf sind reibungsarm gelagert, um laufruhigen, gleichmäßigen Betrieb zu gewährleisten.

Ein federnd, gelagerter Schleifkontakt stellt ununterbrochenen Kontakt mit etwa einem Drittel des Rotorumfangs sicher. Diese Konfiguration gewährleistet eine beständige, gleichmäßige elektrische Leitfähigkeit zu Rotor und Elektrode.

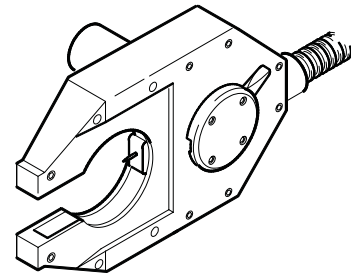


Abbildung 1 Schweißkopf Serie 10

## Spannblock

Der Spannblock der Serie 10 des SWS dient zur exakten Ausrichtung und Fixierung von Rohren, Fittings und Ventilkörpern. Aufgrund der modularen Konstruktion können Sie verschiedene Seitenplatten auswählen und die für Ihre Anwendung erforderliche Konfiguration erstellen.

Der Spannblock ist getrennt vom Schweißkopf, wodurch sich Werkstücke vor dem Schweißen leicht ausrichten und fixieren lassen. Durch die Verwendung mehrerer Spannblöcke lässt sich die Produktivität erhöhen.

Die Spannblöcke können für mehrere Abmessungen verwendet werden. In den Spannblock passt ein Universal-Spannfutter-einsatz (Universal Collet Insert (UCI)), der dem Durchmesser des Werkstücks entspricht. Die Spannfutterkonstruktion fixiert Rohre und Fittings, die bis zu  $\pm 0,13$  mm (0,005 Zoll) vom nominalen Außendurchmesser abweichen können. Die Spann-futter lassen sich schnell auswechseln, wodurch der Spannblock sehr anpassungsfähig für unterschiedliche Arbeitsanforderungen ist.

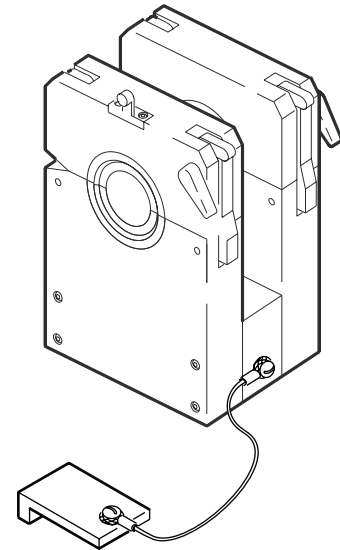


Abbildung 2 Spannblock Serie 10

## Auspacken der Schweißkopfkomponenten

Die folgenden Schweißkopfkomponenten sind in einem mit Schaumstoff ausgekleideten Versandbehälter verpackt.

- Schweißkopf
- Lichtbogenlehre
- Elektrodenpackung
- Werkzeug

Führen Sie nach Eintreffen des Swagelok Schweißkopfs der Serie 10 folgende Schritte durch:

1. Untersuchen Sie die Verpackung auf Schäden.
2. Nehmen Sie die Komponenten aus der Verpackung.
3. Prüfen Sie die Artikel auf Schäden.
4. Prüfen Sie, dass die Seriennummer des Schweißkopfs mit der Seriennummer auf dem Versandbehälter übereinstimmt.
5. Notieren Sie die Modell- und die Seriennummer sowie die Lieferdaten auf der Seite Registrierungsinformationen der Bedienungsanleitung Ihrer Stromversorgung.

## Anschließen des Schweißkopfes

Der Schweißkopf hat vier Anschlüsse, die mit dem Netzteil verbunden werden.

Die vier Anschlüsse am Kabel sind:

- Steuerung
- Minuspol (rot)
- Pluspol (grün)
- Schweißkopf-Schutzgas

Schließen Sie die vier Anschlüsse folgendermaßen an der Seite des Netzteils an (siehe Abbildung 4):

1. Legen Sie den Schweißkopf bereit.
2. Verbinden Sie den Stecker Steuerung mit der mit WELD HEAD beschrifteten Buchse an der Seite des Netzteils. Führen Sie den Stecker in die Buchse ein. Drehen Sie den Stecker um eine Vierteldrehung mit der Hand im Uhrzeigersinn fest. Dieser Anschluss überträgt die Steuerungssignale zum Antrieb des Schweißkopfes.
3. Verbinden Sie den roten Stecker mit der mit ELECTRODE beschriftete Buchse an der Seite des Netzteils. Drehen Sie den Stecker zur Befestigung eine Vierteldrehung im Uhrzeigersinn. Dieser Anschluss ist der Minuspol (-) des Schweißkopfes.
4. Verbinden Sie den grünen Anschluss in der mit WORK beschrifteten Buchse an der Seite des Netzteils ein. Drehen Sie den Stecker zur Befestigung eine Vierteldrehung im Uhrzeigersinn. Dieser Anschluss ist der Pluspol (+) des Schweißkopfes.
5. Führen Sie den Schutzgasanschluss des Schweißkopfes in den mit TO WELD HEAD beschrifteten Swagelok Schnellkuppungsstecker ein. Prüfen Sie, dass der Anschluss sicher befestigt ist. Dieser Anschluss versorgt den Schweißkopf durch einen Mengendurchflussregler (MFC) im Netzteil mit Schutzgas.

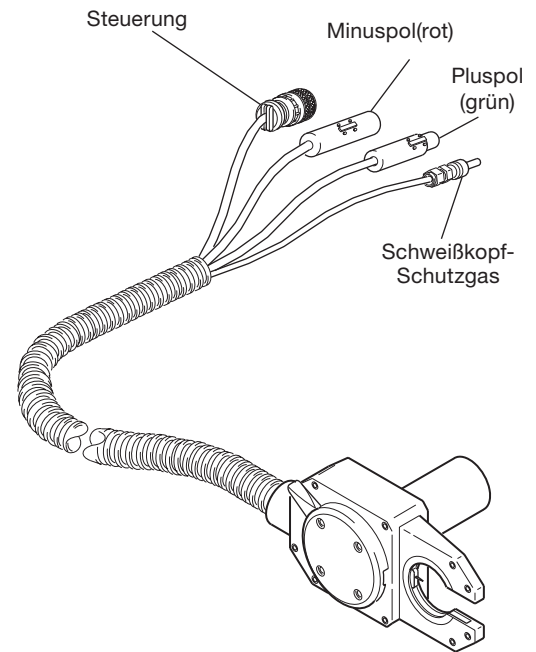


Abbildung 3 Schweißkopf

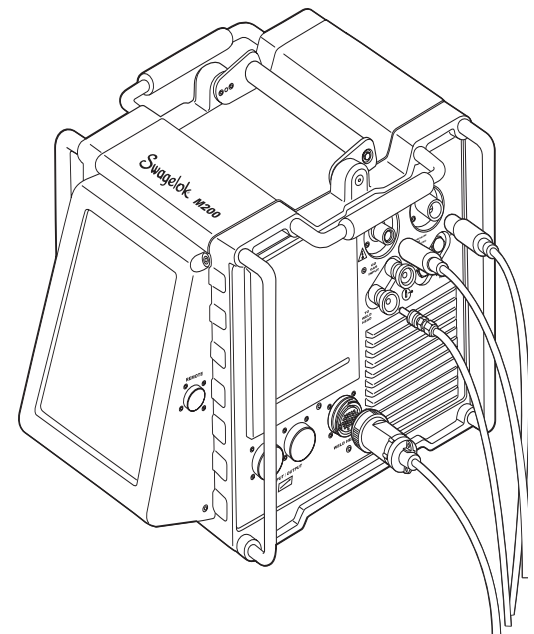


Abbildung 4 Schweißkopfanschlüsse



### Achtung!

**Achten Sie darauf, dass der mehrpolige Anschluss fest eingesteckt und fest angezogen ist.**

*Hinweis:*

*Der Schutzgasanschluss des Schweißkopfes muss ein nicht absperrender (SESO) Swagelok Schnellkuppungsstecker sein (z.B. SS-QC4-S-400).*

Swagelok

## Installieren der Elektrode im Schweißkopf

Dieser Swagelok Schweißkopf wird mit verschiedenen Elektroden geliefert. Die folgende Anleitung zeigt, wie die Elektrode richtig im Schweißkopf installiert wird.

### Auswahl der richtigen Elektrode

Die Länge und der Durchmesser der Elektrode hängen von Ihrem Schweißkopfmodell und dem Außendurchmesser des zu schweißenden Werkstücks ab. Verwenden Sie die Tabelle zur Elektrodenauswahl, um die richtige Elektrode auszuwählen.

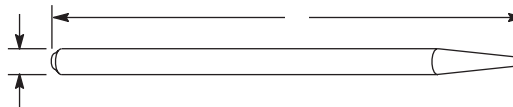


Abbildung 5 Elektrode Abmessungen

Tabelle 1 Tabelle zur Elektrodenauswahl

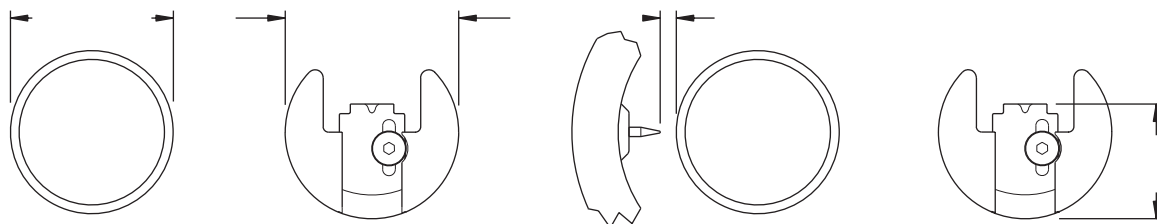
Elektroden-Bestellnr.:	Komponenten-Außendurchmesser	Elektrodenlänge (L)	Elektroden-durchmesser (D)
CWS-C.062-1.105-P	1/4 Zoll	28,07 mm (1,105 Zoll)	1,57 mm (0,062 Zoll)
	3/8 Zoll		
	1/2 Zoll		
	6 mm		
	8 mm		
	10 mm		
	12 mm		
	14 mm		
15 mm			
CWS-C.062-.855-P	25 mm	(0,855 Zoll)	(0,062 Zoll)





## Berechnung der Einstellungen der Lichtbogenlehre

Verwenden Sie die untenstehende Formel zu Berechnung der Einstellung für eine spezifische Lichtbogenlänge.



EINSTELLUNG DER LICHTBOGENLEHRE

### Wobei

*A = der größte AD am Schweißende des Rohres oder Fittings (Schweißdurchmesser).*

*B = Durchmesser der Lichtbogenlehre*

*C = gewünschte Lichtbogenlänge*

Abbildung 7 Berechnungsformel zur Einstellung der Lichtbogenlehre

### Beispiel 1: (Schweißkopf Serie 10)

1/2 an 1/2 Zoll Stumpfschweißende - Größter Außendurchmesser A = 0,503 Zoll

Durchmesser der Lichtbogenlehre B = 1,994 Zoll

Gewünschte Lichtbogenlänge C = 0,040 Zoll

$$\frac{0,503 \text{ Zoll}}{2} + \frac{1,994 \text{ Zoll}}{2} + 0,040 \text{ Zoll} = 1,288 \text{ Zoll}$$

### Beispiel 2: (Schweißkopf Serie 10)

12 an 12 mm Stumpfschweißende - Größter Außendurchmesser A = 12,07 mm

Durchmesser der Lichtbogenlehre B = 50,65 mm

Gewünschte Lichtbogenlänge C = 1,02 mm

$$\frac{12,07 \text{ mm}}{2} + \frac{50,65 \text{ mm}}{2} + 1,02 \text{ mm} = 32,38 \text{ mm}$$

## Einstellen der Lichtbogenlänge

Mit der richtigen Einstellung der Lichtbogenlänge lässt sich die Schweißung besser steuern und eine größere Beständigkeit erzielen. Die folgenden Schritte beschreiben die Einstellung der Lichtbogenlänge.

Zum Einstellen der Lichtbogenlänge wird die mit dem Schweißkopf gelieferte Lichtbogenlehre verwendet. Die Lehre wird auf die gewünschte Lichtbogenlänge eingestellt und dann in den Rotor eingesetzt. Mit eingesetzter Lehre lässt sich die Elektrode genau positionieren.

## Einstellen der Lichtbogenlehre

1. Die äußeren Durchmesser der zu schweißenden Werkstücke mit einem Messschieber oder Mikrometer abmessen. Siehe Abbildung 8(A). Die Stromversorgung M200 berechnet die Einstellung der Lichtbogenlehre, wenn die Funktion „Automatische Erstellung“ verwendet wird.
2. Verwenden Sie die Tabellen auf Seite 8, um Ihren nominalen AD nachzuschlagen. Suchen Sie den „tatsächlichen Durchmesser“, der Ihrer Messung am nächsten liegt.
3. Stellen Sie die Lichtbogenlehre so ein, dass sie der Einstellung auf den Tabellen auf Seite 8 entspricht. Siehe Abbildung 7(B).

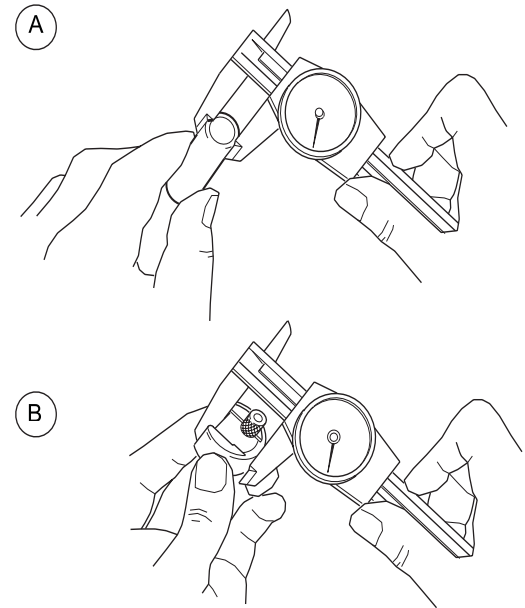


Abbildung 8 Einstellung der Lichtbogenlehre

Tabelle 2 SWS-10H Durchmesser der Lichtbogenlehre 1,994 Zoll

No-mi-naler AD (Zoll)	Tat-sächli-cher AD (Zoll)	Einstel-lung für einen Licht-bogen von 0,025 Zoll (Zoll)	Einstel-lung für einen Licht-bogen von 0,030 Zoll (Zoll)	Einstel-lung für einen Licht-bogen von 0,035 Zoll (Zoll)	Einstel-lung für einen Licht-bogen von 0,040 Zoll (Zoll)	Einstel-lung für einen Licht-bogen von 0,045 Zoll (Zoll)	Einstel-lung für einen Licht-bogen von 0,050 Zoll (Zoll)	Einstel-lung für einen Licht-bogen von 0,5 mm (mm)	Einstel-lung für einen Licht-bogen von 6,4 mm (mm)	Einstel-lung für einen Licht-bogen von 7,6 mm (mm)	Einstel-lung für einen Lichtbo-gen von 1,02 mm (mm)	Einstel-lung für einen Lichtbo-gen von 1,14 mm (mm)
1/4	0,250	1,147	1,152	1,157	1,162	1,167	1,172	29,00	29,14	29,26	29,52	29,64
3/8	0,375	1,209	1,214	1,219	1,224	1,229	1,234	30,58	30,72	30,84	31,10	31,22
1/2	0,500	1,272	1,277	1,282	1,287	1,292	1,297	32,18	32,32	32,44	32,70	32,82
5/8	0,625	1,335	1,340	1,345	1,350	1,355	1,360	33,76	33,90	34,02	34,28	34,40
3/4	0,750	1,397	1,402	1,407	1,412	1,417	1,422	35,35	35,49	35,61	35,87	35,99
7/8	0,875	1,460	1,465	1,470	1,475	1,480	1,485	36,94	37,08	37,20	37,46	37,58
1	1,000	1,522	1,527	1,532	1,537	1,542	1,547	38,53	38,67	38,79	39,05	39,17

Tabelle 3 SWS-10H Durchmesser der Lichtbogenlehre 50,65 mm

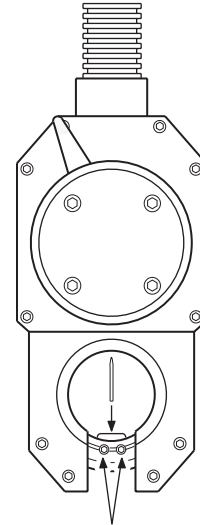
Nominaler AD (mm)	Tatsächli-cher AD (mm)	Einstellung für einen Lichtbo-gen von 0,50 mm (mm)	Einstellung für einen Lichtbo-gen von 0,64 mm (mm)	Einstellung für einen Lichtbogen von 0,76 mm (mm)	Einstellung für einen Lichtbo-gen von 1,02 mm (mm)	Einstellung für einen Lichtbo-gen von 1,14 mm (mm)
6	6,00	28,83	28,97	29,09	29,35	29,47
8	8,00	29,83	29,97	30,09	30,35	30,47
10	10,00	30,83	30,97	31,09	31,35	31,47
12	12,00	31,83	31,97	32,09	32,35	32,47
18	18,00	34,83	34,97	35,09	35,35	35,47
22	22,00	36,83	36,97	37,09	37,35	37,47
23	23,00	37,33	37,47	37,59	37,85	37,97
25	25,00	38,33	38,47	38,59	38,85	38,97

Tabelle 4 SWS-10H Durchmesser der Lichtbogenlehre für ATW-Fittings

ATW Größe	Kragen-AD	Einstellung für 1,14 mm (0,045 Zoll) Lichtbogenlänge
1/4 Zoll	0,29 Zoll	1,186 in
3/8 Zoll	0,41 Zoll	1,248 Zoll
1/2 Zoll	0,55 Zoll	1,316 Zoll
3/4 Zoll	0,80 Zoll	1,441 Zoll
1 Zoll	1,06 Zoll	1,571 Zoll
6 mm	7,0 mm	29,97 mm
8 mm	9,0 mm	30,98 mm
10 mm	11,0 mm	31,98 mm
12 mm	13,2 mm	33,10 mm
18 mm	19,2 mm	36,11 mm
23 mm	25,4 mm	38,5 mm

## Einsetzen der Elektrode in den Rotor

1. Drücken Sie ohne befestigten Spannblock auf ELECTRODE CHANGE (ELEKTRODENWECH-SEL) auf dem Bedienfeld. Die Elektrode fährt in die Abbildung 8 angezeigte Position.
2. Lösen Sie die zwei Elektrodenklemmschrauben. Entfernen Sie die Elektrode, falls diese ausgewechselt wird.
3. Setzen Sie die neue Elektrode so ein, dass die Spitze in die Rotormitte zeigt. Ziehen Sie die Elektrodenklemmschrauben leicht an, um die Elektrode vorübergehend zu befestigen.
4. Stellen Sie die richtige Lichtbogenlänge mit der Lichtbogenlehre ein.



Elektrodenklemmschrauben

Abbildung 9 Elektrodeninstallation



### WARNUNG!

**NICHT AUF START DRÜCKEN, WÄHREND SIE DIE ELEKTRODE BERÜHREN.**



### Achtung!

**Den Rotor nur betätigen oder bewegen, wenn eine Elektrode eingespannt ist.**



### Achtung!

**Der Rotor bewegt sich, wenn ELECTRODE CHANGE (ELEKTRODENWECHSEL) gedrückt wird. Der Rotor ist eine potentielle Klemmstelle.**

## Einstellen der Lichtbogenlänge

1. Drücken Sie **JOG** oder **ELECTRODE CHANGE (ELEKTRODENWECHSEL)** um den Rotor zu positionieren. Damit erhalten Sie Zugang zu den Klemmschrauben der Elektrode.
2. Setzen Sie die Lichtbogenlehre in den Rotor ein. Siehe Abbildung 9(A).
3. Neigen Sie den Schweißkopf nach oben. Lösen Sie die Elektrodenschrauben, so dass die Elektrode auf die Oberfläche der Lichtbogenlehre fallen kann. Siehe Abbildung 9(B).
4. Ziehen Sie die Elektrodenklemmschrauben nur leicht fest, um die Elektrode zu befestigen. Entfernen Sie die Lichtbogenlehre.
5. Drücken Sie **HOME** oder **ELECTRODE CHANGE (ELEKTRODENWECHSEL)**, um den Rotor wieder in die Ausgangsposition zu bringen.

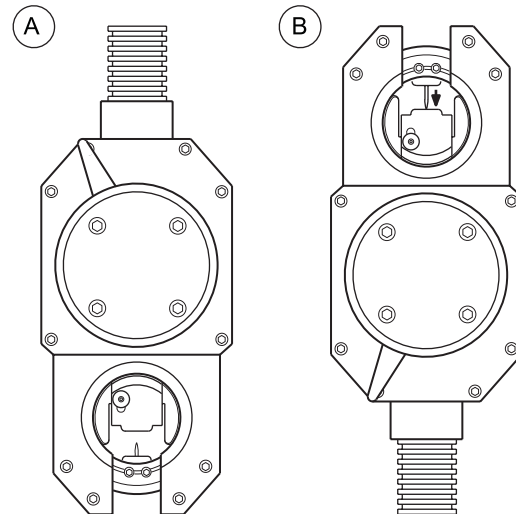


Abbildung 10 Einstellen der Lichtbogenlänge



### Achtung!

Den Rotor nur betätigen oder bewegen, wenn eine Elektrode eingespannt ist.



### Achtung!

Der Rotor bewegt sich, wenn **JOG**, **ELEKTRODENWECHSEL** oder **HOME** gedrückt wird. Der Rotor ist eine potentielle Klemmstelle.

## Vorbereitung der Arbeit

Es ist wichtig, dass die Rohrstücke vor dem Schweißen richtig vorbereitet werden. Siehe Abbildung 10.

Die Rohre müssen rechtwinklig und gratfrei sein, um wiederholbare, hochwertige Schweißungen zu erhalten. Die Rohre mit einer Metallsäge oder einem Rohrschneider auf die richtige Länge zuschneiden. Die Rohre auf einer Drehbank oder mit einem tragbaren Rohrplangerät plandrehen. Die Enden entgraten und dabei sicherstellen, dass der Innen- und der Außendurchmesser rechtwinklig und gratfrei sind. Die Rohrenden mit einem geeigneten Lösungsmittel reinigen.

Befolgen Sie folgende Richtlinien um die Gefahr von Schweißungen schlechter Qualität zu verringern:

- Die Rohrenden müssen rechtwinklig sein.
- Die Wandstärkeltoleranz der Rohrenden darf maximal  $\pm 15\%$  der Nennwandstärke betragen.
- Die Rohrenden müssen gratfrei sein.
- Die Rohrenden müssen frei von Rost, Fett, Öl, Farbe oder anderen Verunreinigungen der Oberfläche sein.

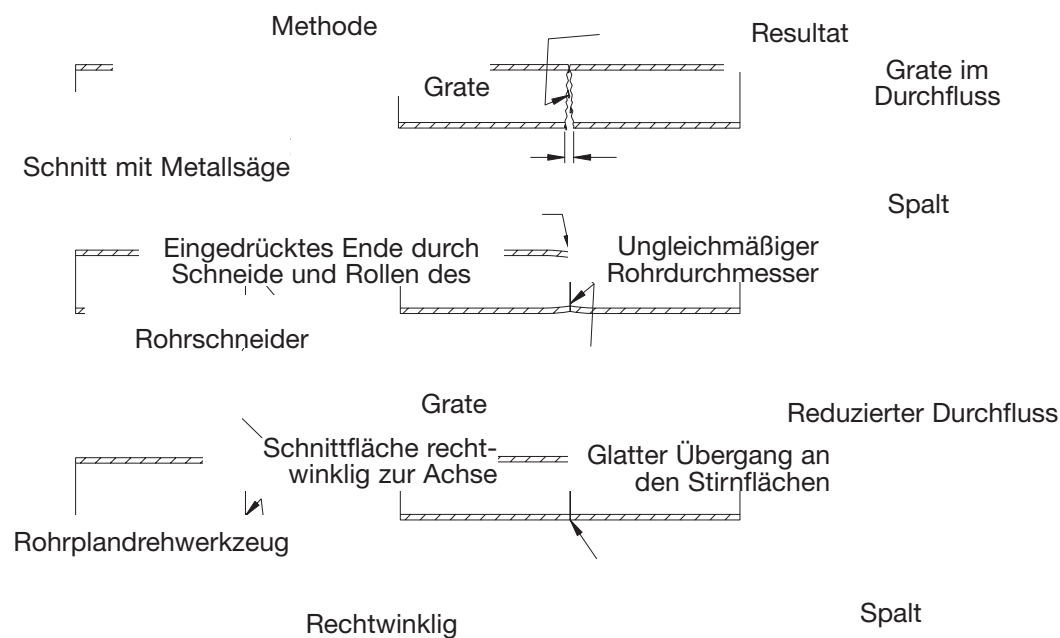


Abbildung 11 Rohrvorbereitung

## Einspannen der Werkstücke

Wählen Sie den passenden Spannblock aus. Wählen Sie die Spannfutter passend für den Außendurchmesser des Werkstücks aus.

### Auswahl von Spannblock und Spannfutter

1. Wählen Sie den Spannblock passend für den Außendurchmesser des zu schweißenden Rohrs aus. Siehe Tabelle 5.

Tabelle 5 Spannblöcke

Modell	AD-Kapazität	Minimal erforderliche Spannlänge.
CWS-10TFB	6 bis 25 mm (1/4 bis 1 Zoll)	19 mm (3/4 Zoll) (Senkbohrung)
		24 mm (15/16 Zoll) (keine Senkbohrung)

2. Wählen Sie die passenden Spannfutter für den Durchmesser der zu schweißenden Teile aus. Siehe Tabelle 6.

Tabelle 6 Spannfutter

Modell	AD-Kapazität	Anmerkungen
CWS-10UCI-X ① (Senkbohrung)	6 bis 25 mm (1/4 Zoll bis 1 Zoll)	Rohre/ Verschraubungen
CWS-10UCI-XT ① (keine Senkbohrung)	6 bis 25 mm (1/4 Zoll bis 1 Zoll)	Rohre/ Verschraubungen

① Wobei X die Spannfuttergröße in 1/16 Zoll oder metrisch (Anhang „MM“) angibt.

### Installieren der Spannfutter in einem Rohrspannblock

1. Die beiden Hebel lösen und den Rohrspannblock öffnen. Siehe Abbildung 11.
2. Die Spannfutterhälften in der oberen und der unteren Seitenplatte einsetzen und die Spannfutterschrauben festziehen. Sicherstellen, dass die Spannbacke bündig mit der Seitenplatte abschließt. Siehe Abbildung 12.

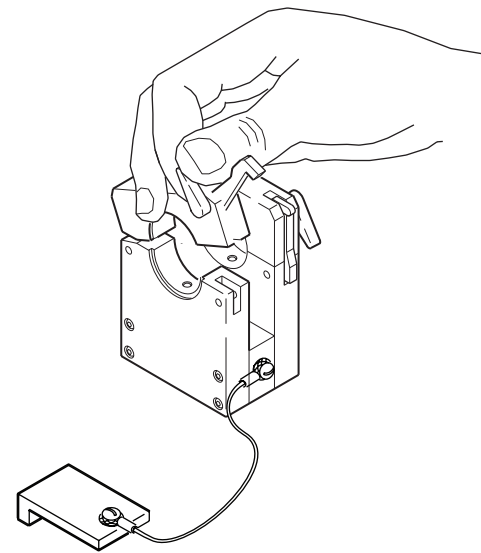


Abbildung 12 Öffnen des Spannblocks

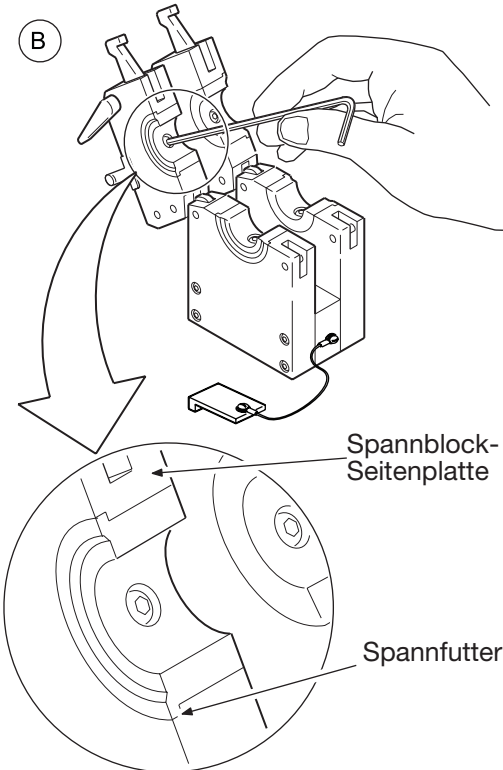
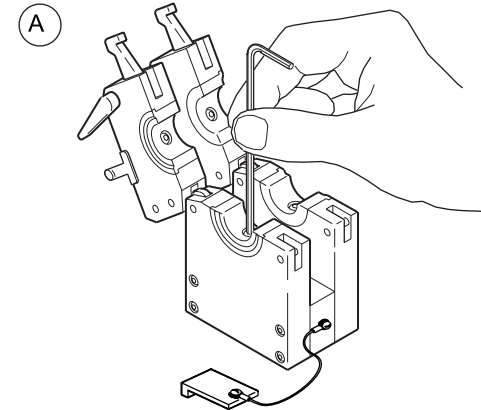


Abbildung 13 Installieren der Spannfutter



### Ausrichten der Werkstücke im Spannblock

1. Platzieren Sie die Zentrierlehre in eine Seite des Spannblocks. Die Zentrierlehre muss die Breite der Spannbacke umfassen. Siehe Abbildung 13.
2. Legen Sie eines der Werkstücke an die Zentrierlehre an. Siehe Abbildung 14(A).
3. Schließen Sie die obere Seitenplatte. Siehe Abbildung 14(B).
4. Entfernen Sie die Zentrierlehre.

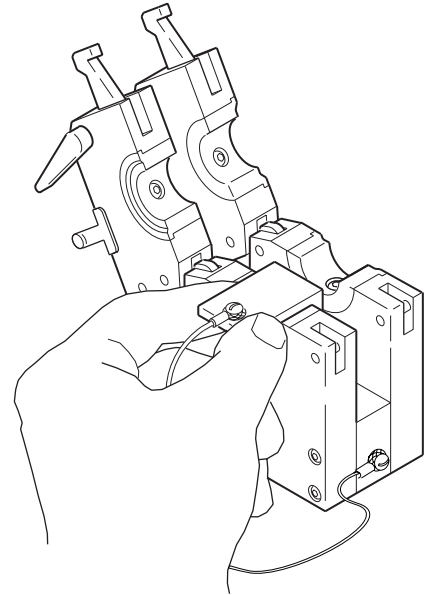


Abbildung 14 Platzierung der Zentrierlehre

#### Hinweis:

Beim Schweißen eines Swagelok ATW-Fittings an ein Rohr das Rohr zuerst an die Zentrierlehre anlegen.

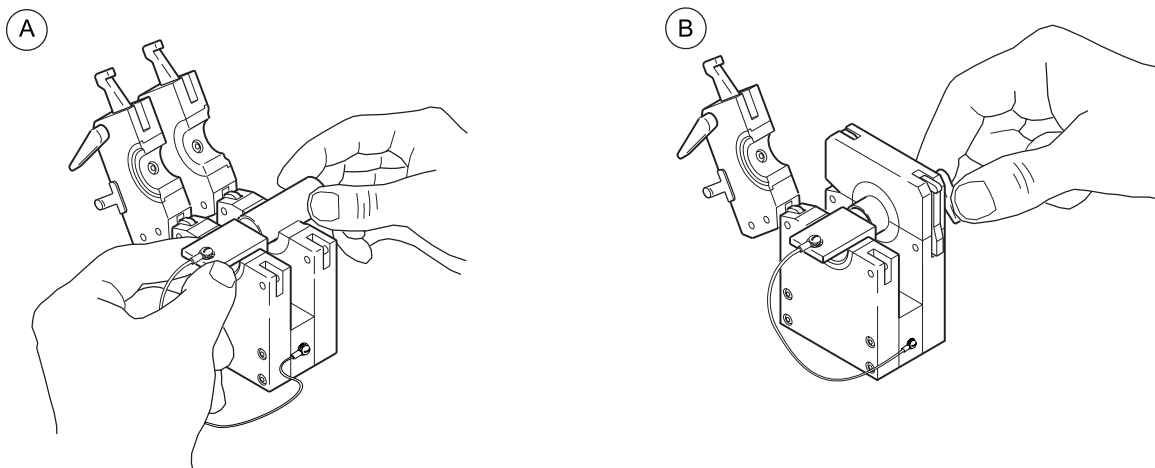


Abbildung 15 Das erste Werkstück in den Spannblock einlegen

5. 5. Legen Sie das zweite Werkstück an das erste Werkstück an und Schließen Sie die obere Seitenplatte. Siehe Abbildung 15.
6. Untersuchen Sie die Passung und die Ausrichtung der Schweißverbindung ringsum. Falls die Ausrichtung nicht korrekt ist, gehen Sie zum nächsten Abschnitt.

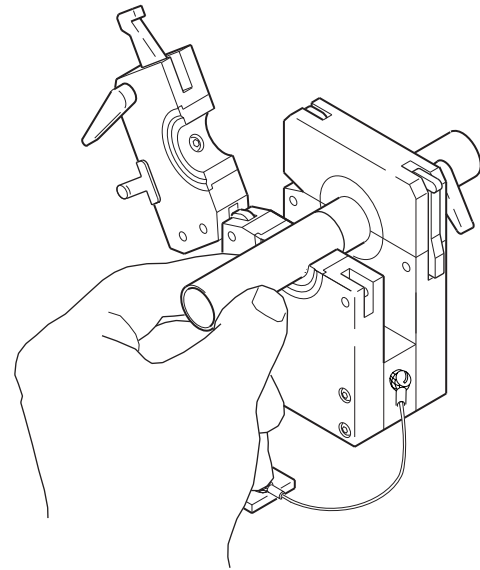


Abbildung 16 Platzierung des zweiten Werkstücks

### Anpassen des Rohr-an-Rohr-Spannblocks

Um die genaue Ausrichtung der Werkstücke im Spannblock beizubehalten, müssen die Seitenplatten gelegentlich ausgerichtet werden.

Gehen Sie zur Ausrichtung des Spannblocks folgendermaßen vor:

1. Drehen Sie den Spannblock um und beachten Sie die Richtungspfeile auf dem Plenum. Die Pfeile zeigen zur verstellbaren Seitenplatte. Siehe Abbildung 16.
2. Lösen Sie die vier Inbusschrauben an der verstellbaren Seitenplatte mit dem mitgelieferten 3/32 Zoll Inbusschlüssel so weit, dass sie sich vom Plenum lösen lässt. Siehe Abbildung 16, um die passende Seitenplatte zu finden.
3. Drehen Sie den Spannblock um, so dass er aufrecht steht, lösen Sie beide Hebel und öffnen Sie beide Seiten des Spannblocks.

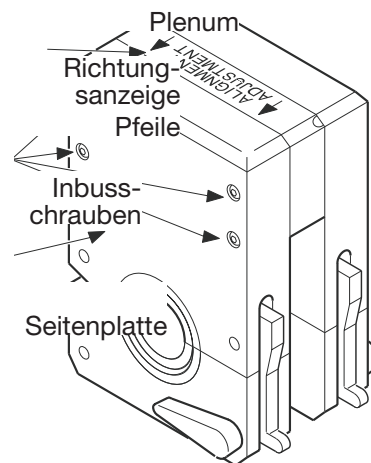


Abbildung 17 Lockern der Seitenplatte

4. Platzieren Sie ein gerades Rohrstück (Mindestlänge 38,1 mm [1,50 Zoll]) in die Spannhalter, so dass es auf beiden Seitenplatten aufliegt.
5. Schließen und verriegeln Sie die nicht justierbare Seitenplatte. Siehe Abbildung 17.
6. Schließen Sie das Oberteil der gelockerten Seitenplatte.
7. Ziehen Sie die vier Inbusschrauben an der gelockerten Seitenplatte fest. Achten Sie darauf, dass die Schrauben gleichmäßig festgezogen werden, damit die Seitenplatte nicht verrutscht.
8. Öffnen Sie die Seitenplatten und nehmen Sie das Rohrstück heraus.

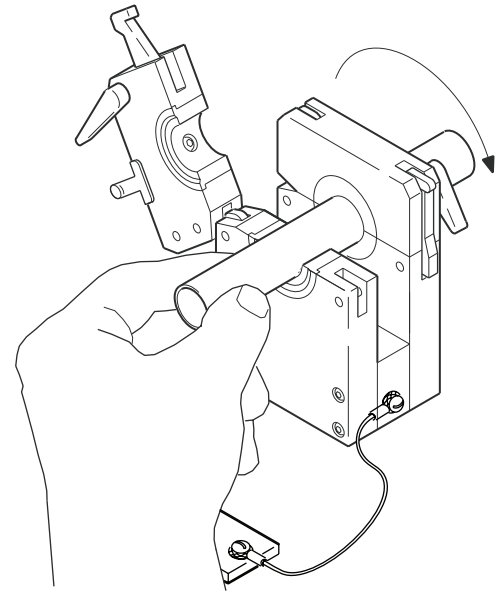


Abbildung 18 Platzierung des Rohrs

### Verbinden des Schweißkopfs mit dem Spannblock

1. Den Verriegelungshebel am Schweißkopf bis zum Anschlag entgegen dem Uhrzeigersinn drehen. Siehe Abbildung 18.
2. Schweißkopf in den Spannblock einführen. Siehe Abbildung 19(A).
3. Den Verriegelungshebel im Uhrzeigersinn drehen, um den Schweißkopf zu befestigen. Siehe Abbildung 19(B).

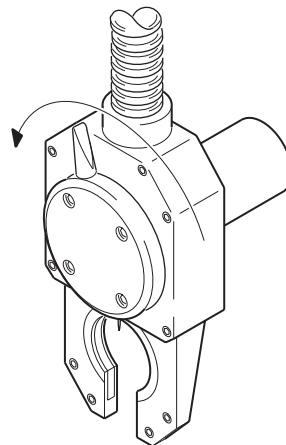


Abbildung 19 Verriegelungshebel lösen

### Bedienung des Schweißkopfs

Bedienen Sie den Schweißkopf unter Verwendung der folgenden Parameter:

<b>Schutzgasdurchfluss, std L/min (std ft<sup>3</sup>/hr)</b>	4,7 bis 9,4 ① (10 bis 20)
<b>Mindestvorspülzeit und -nachspülzeit in Sekunden</b>	20 ②
<b>Maximale empfohlene durchschnittliche Stromstärke</b>	75 Amp. bei 50% Lastspielen ③

① Erhöhen Sie den Durchfluss wenn das Schweißen bei hohen Stromstärken erfolgt

② Der Durchfluss sollte beim Schweißen bei hohen Stromstärken zum Kühlen ununterbrochen sein.

③ Bei der Verwendung von optionalen Schweißkopfverlängerungskabeln kann die Ausgangsstromstärke reduziert werden.

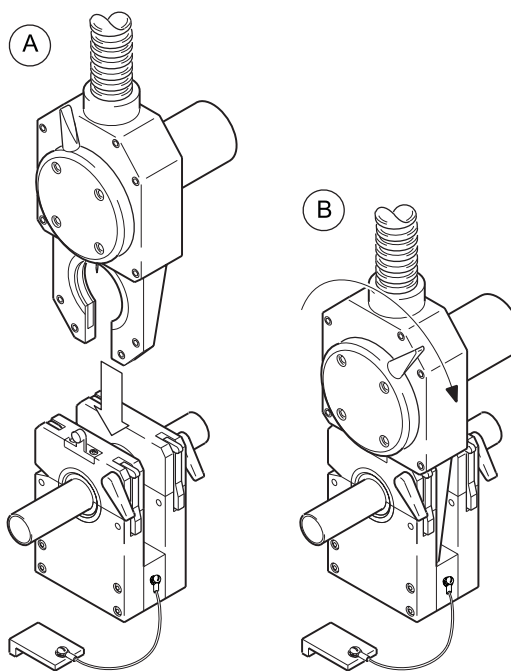


Abbildung 20 Verbinden des Schweißkopfs mit dem Spannblock

## Wartung

Um sicherzustellen, dass sich Ihr Swagelok Schweißsystem (SWS) immer in betriebsbereitem Zustand befindet, müssen die Systemkomponenten regelmäßig gewartet werden.

In diesem Abschnitt werden die Wartungsverfahren für die Spannblöcke und die Schweißköpfe beschrieben.

Detaillierte Zeichnungen der Teile und Informationen finden Sie im Abschnitt Einzelteilzeichnungen am Ende dieses Handbuchs.

Der Spannblock sollt täglich und alle 40 Schweißstunden durchgeführt werden. Je nach Verwendung und Abnutzung kann die Wartung jeweils vor dem 40-Stunden-Intervall durchgeführt werden.

*Hinweis:*

*Falls es beim Durchführen der Verfahren dieses Abschnitts zu Problemen kommt, gehen Sie zum Abschnitt Fehlersuche im Benutzerhandbuch für die Stromversorgung oder wenden Sie sich an Ihren autorisierten Swagelok Vertreter.*

### Tägliche Wartung des Spannblocks

Zu Beginn jedes Arbeitstags:

1. Untersuchen Sie den Spannblock auf Sauberkeit, Abnutzung und Beschädigungen.
2. Entfernen Sie Schmutz-, Kohlenstoff- und andere Ablagerungen mit einem sauberen, weichen Tuch vom Spannblock. Es kann ein Lösungsmittel, beispielsweise Alkohol oder Aceton verwendet werden. Entfernen Sie stärkere Ablagerungen mit einem feinkörnigen Schleifkissen.

Reinigen Sie den Spannblock am Ende jedes Arbeitstages und bewahren Sie ihn an einem trockenen Ort auf.

## Wartung des Spannblocks

Alle 700 bis 900 Schweißungen:

1. 1.Spannfutter untersuchen und reinigen. Siehe Abbildung 20(A).
2. Auf Kratzer und Dellen untersuchen.
3. Schmutz und Oxide mit einer weichen Edelstahlbürste von allen Oberflächen der Spannbacke entfernen.
4. Oxide von den nicht-eloxierten aufeinandertreffenden Oberflächen der Seitenplatten mit einem feinkörnigen Schleifkissen entfernen. Siehe Abbildung 20(B).
5. Schmutz und Oxide von den Innenflächen der Seitenplatten mit einem sauberen, weichen Tuch entfernen. Siehe Abbildung 20(C). Entfernen Sie stärkere Ablagerungen mit einem feinkörnigen Schleifkissen.
6. Hebelnocke und Riegel auf leichtgängigen Betrieb überprüfen. Siehe Abbildung 21.
  - a. Entfernen Sie die Hebelnocke, indem Sie die Stellschraube vom Riegel entfernen und die Hebelnocke vom Spannblock abziehen.
  - b. Die Hebelnocke reinigen.
  - c. Stellschraube wieder anbringen und sicherstellen, dass sie fest angezogen ist.
7. Sicherstellen, dass der Spannblock das Werkstück richtig festhält.
  - a. Die Spannfutter in eine Seite des Spannblocks einbauen.
  - b. Rohr in Nenngroße einlegen und den Spannblock mit den Hebelnocken schließen.
  - c. Sicherstellen, dass sich das Rohr in den Spannfuttern nicht dreht.
  - d. Sicherstellen, dass das Rohr in den Spannfuttern nicht seitlich hin und her rutscht.
  - e. Sicherstellen, dass sich das Rohr in den Spannfuttern nicht von oben nach unten oder von links nach rechts bewegen kann.
  - f. Für die andere Seite des Spannblocks wiederholen.

Kontaktieren Sie Ihren autorisierten Swagelok Vertreter, um den Spannblock zur Reparatur einzuschicken.

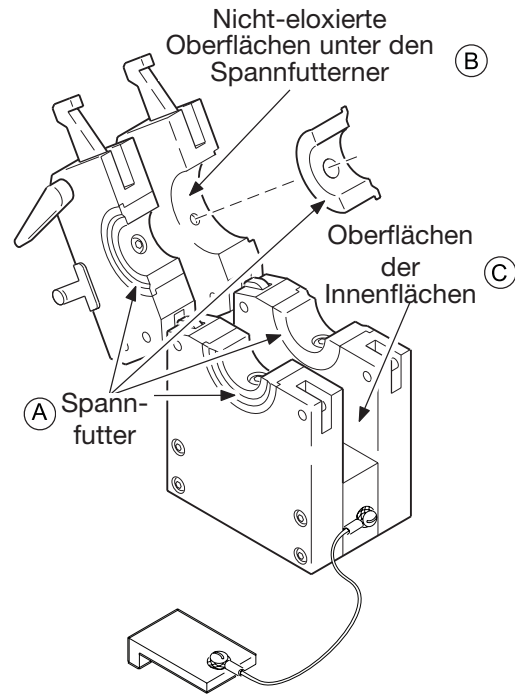


Abbildung 21 Reinigen der Spannfutter und der Spannfutter-Montageflächen

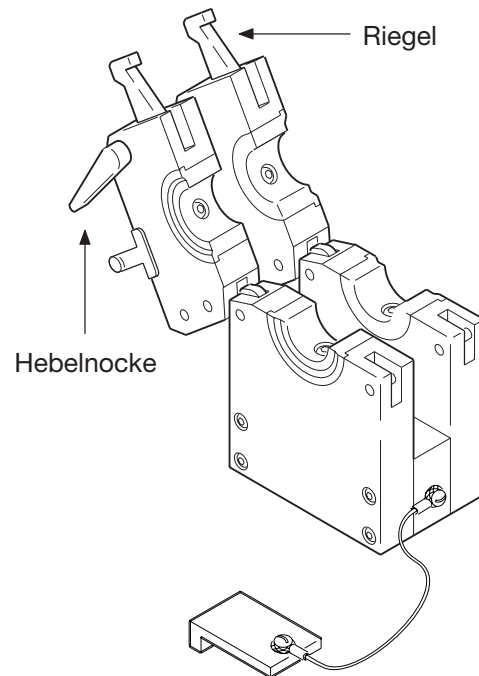


Abbildung 22 Hebelnocke und Riegel

### Hinweis:

Bei Abnutzung oder Schäden oder, falls der Spannblock das Werkstück nicht richtig festhält, sollte der Spannblock nicht verwendet werden.

## Tägliche Wartung des Schweißkopfs

Der Schweißkopf sollte täglich und alle 700 bis 900 Schweißungen gewartet werden. Je nach Verwendung und Abnutzung kann die Wartung jeweils vor der 700ten Schweißung durchgeführt werden.

Zu Beginn jedes Arbeitstags:

1. Den Schweißkopf auf Sauberkeit überprüfen. Dabei besonders auf den Rotorbereich achten.
2. Drücken Sie **JOG**. Rotor auf einen ruckfreien Betrieb hin überprüfen. Drücken Sie **JOG**, um die Rotorbewegung anzuhalten. Falls die Drehung ungleichmäßig oder laut ist, den Schweißkopf demontieren und Rotor, Getriebe und Bürste reinigen. Siehe **Schweißkopf-Demontage und -Reinigung**.
3. Drücken Sie **HOME**, um den Rotor in die Ausgangsposition (**HOME**) zu bringen.

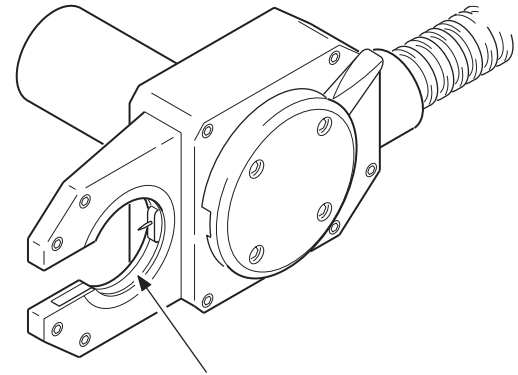
Am Ende jedes Arbeitstags:

1. Schmutz-, Kohlenstoff- und andere Ablagerungen mit einem sauberen, weichen Tuch und einem Lösungsmittel (beispielsweise Isopropanol) vom Schweißkopf entfernen.
2. Den Schweißkopf an einem sauberen, trockenen Ort aufbewahren.



### WARNUNG!

**ENTFERNEN SIE VOR EINER VERÄNDERUNG SOWIE VOR DER WARTUNG DEN PLUS- UND MINUSPOL VON DER STROMVERSORGUNG.**



Rotorbereich

*Abbildung 23 Untersuchen der freiliegenden Oberflächen des Schweißkopfs*



### Achtung!

**Verwenden Sie im Schweißkopf kein Schmiermittel.**



### Achtung!

**Der Rotor bewegt sich, wenn **JOG** gedrückt wird. Der Rotor ist eine potentielle Klemmstelle.**

## Schweißkopf-Demontage und -Reinigung.

In diesem Abschnitt wird die Demontage von Schweißkopf und Rotor beschrieben.

### Schweißkopf

Gehen Sie zur Demontage des Schweißkopfs folgendermaßen vor:

1. Entfernen Sie loses Material mit sauberer Druckluft (niedriger Druck) vom Schweißkopf.
2. Die vier Schrauben, den Sicherungsring und die Sicherungsplatte entfernen. Siehe Abbildung 23.
3. Entfernen Sie die Erdungsschraube mit der Sicherungsscheibe und die Erdung. Die Erdung auf Lochfraß, Abnutzung oder Beschädigung untersuchen. Siehe Abbildung 24.
4. Wechseln Sie die Erdung gegebenenfalls aus. Bestellinformationen für Einzelteile finden Sie unter **Einzelteilzeichnungen**.

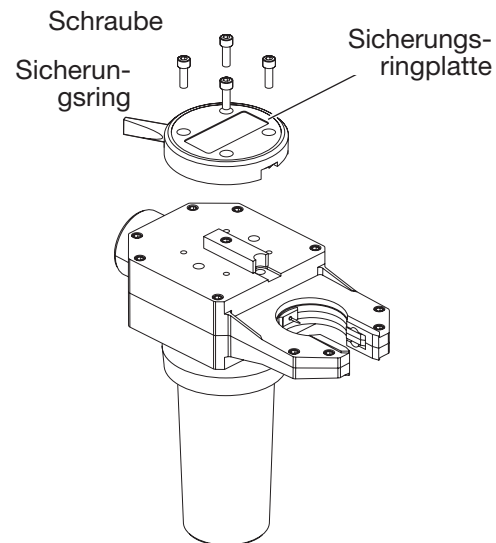


Abbildung 24 Entfernen des Sicherungsring und der Sicherungsringplatte

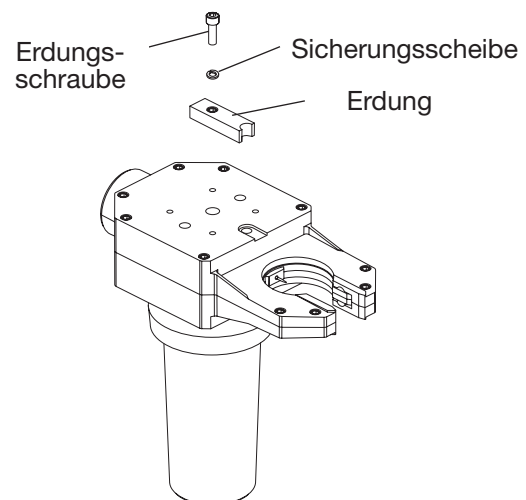


Abbildung 25 Entfernen der Erdung



5. Die Schweißkopfgehäuseschrauben vom Gehäuse entfernen. Die Sicherungsringshälfte des Schweißkopf-gehäuses vorsichtig hin- und her kippen und von der Motorenhälfte entfernen. Siehe Abbildung 25.
6. Die Schweißkopfgehäusehälften vorsichtig voneinander trennen, damit die internen Komponenten nicht beschädigt werden.
7. Den Rotor von der Motorenhälfte des Schweißkopf-gehäuses entfernen. Siehe Abbildung 26.
8. Die Antriebsblock-Unterbaugruppe vorsichtig aus der Motorenhälfte des Schweißkopfgehäuses entfernen. Siehe Abbildung 27.

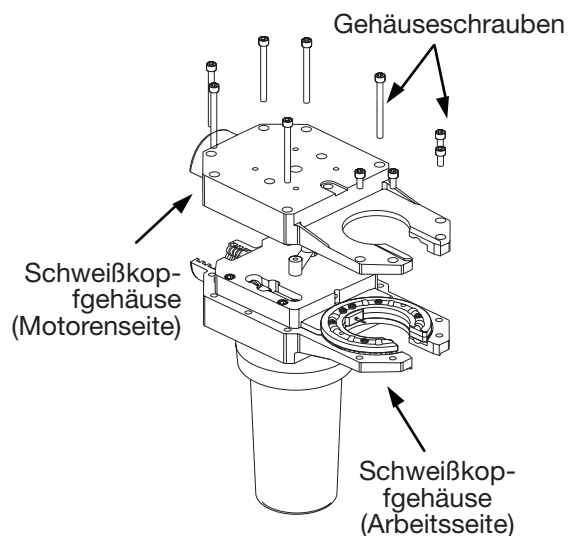


Abbildung 26 Entfernen der Sicherungsringshälfte des Schweißkopfgehäuses

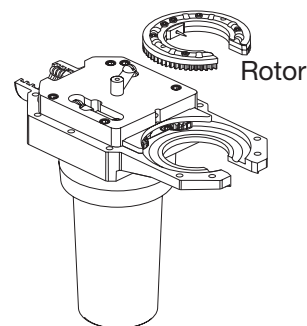


Abbildung 27 Entfernen des Rotors

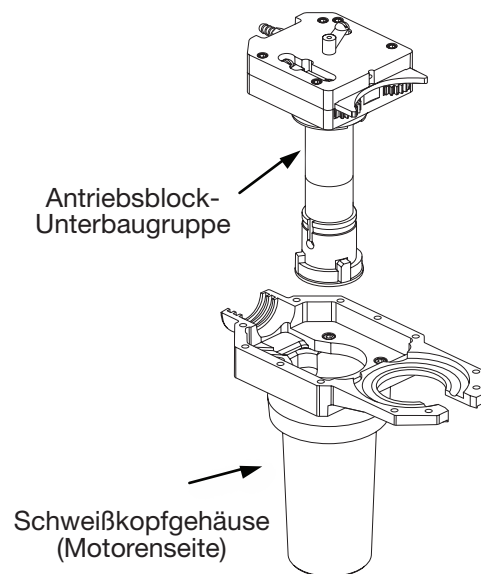


Abbildung 28 Entfernen der Antriebsblock-Unterbaugruppe

9. Überprüfen Sie den Schleifkontakt. Siehe Abbildung 28.  
Untersuchen und reinigen Sie den Schleifkontakt folgendermaßen:
- Den Schleifkontakt auf übermäßigen Verschleiß überprüfen.
  - Sicherstellen, dass der Schleifkontakt eine Vertiefung hat. Den Schleifkontakt auswechseln, falls keine Vertiefung vorhanden ist. Bestellinformationen für Einzelteile finden Sie unter Einzelteilzeichnungen.
  - Oxidation mit einem feinkörnigen Schleifkissen von dem Schleifkontakt entfernen.
10. Entfernen Sie loses Material mit sauberer Druckluft (niedriger Druck) vom Antriebsblock.
11. Sicherstellen, dass die beiden Klammerschrauben festgezogen sind. Siehe Abbildung 29.
12. Sicherstellen, dass die Schraube der Werkstückplatte festgezogen ist und keine übermäßige Oxidation aufweist. Siehe Abbildung 30. Die Werkstückplatte gegebenenfalls mit einem feinkörnigen Schleifkissen reinigen.
13. Die Zahnräder auf Verschleiß untersuchen und gegebenenfalls auswechseln. Bestellinformationen für Einzelteile finden Sie unter Einzelteilzeichnungen.

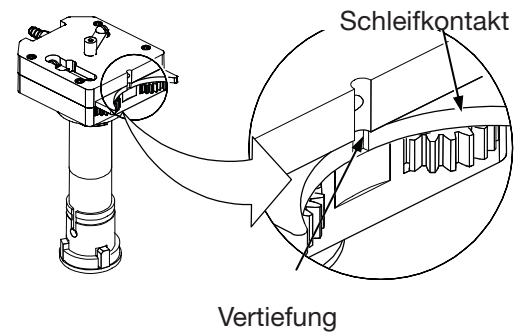


Abbildung 29 Untersuchen des Schleifkontakts

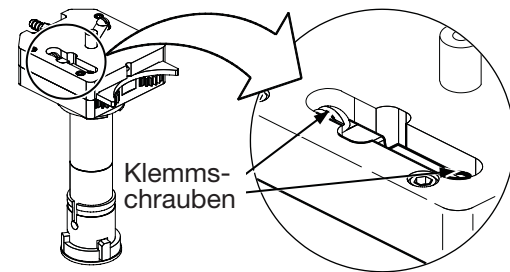


Abbildung 30 Untersuchen der Kabelklemmschrauben

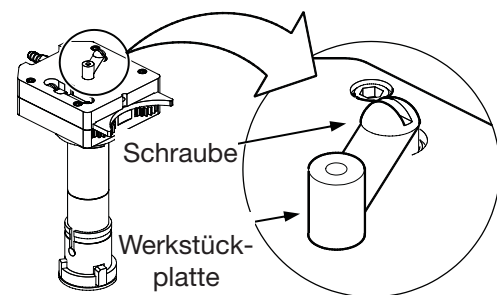


Abbildung 30 Untersuchen der Werkstückplatte und Schrauben

## Rotor

Gehen Sie zur Demontage des Rotors folgendermaßen vor:

1. Entfernen Sie die Rotorschrauben und die Elektroden-Klemmplattenschrauben vom Rotor. Die Elektrode aus dem Keramikeinsatz nehmen. Siehe Abbildung 31.
2. Den Rotor auf eine saubere, trockene Oberfläche legen, so dass die Rotoröffnung nach oben zeigt. Den Zahnring vom Kontaktring trennen, so dass sich die zwei Rotorstifte reinigen lassen. Siehe Abbildung 32.
3. Den Zahnring wie in Abbildung 33 dargestellt ganz vom Kontaktring trennen. Die Ringe flach auf die Arbeitsfläche legen.
4. Die Kugellager vom Zahnring und dem Kontaktring entfernen.
5. Die Kugellager auf Verschleiß und Schäden überprüfen. Gegebenenfalls austauschen.
6. Falls die Kugellager schmutzig sind, mit Isopropanol oder einer Reinigungslösung reinigen. Die Kugeln gründlich trocknen.

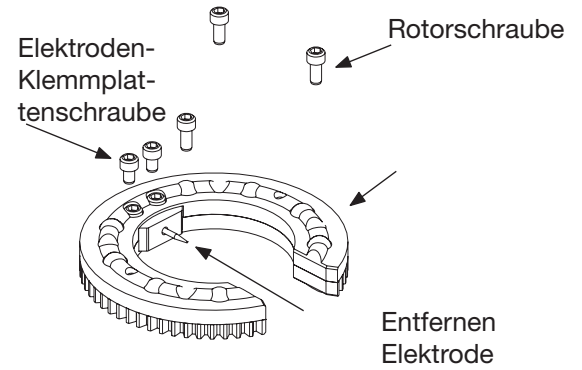


Abbildung 32 Entfernen der Rotor- und Elektroden-Klemmplattenschrauben

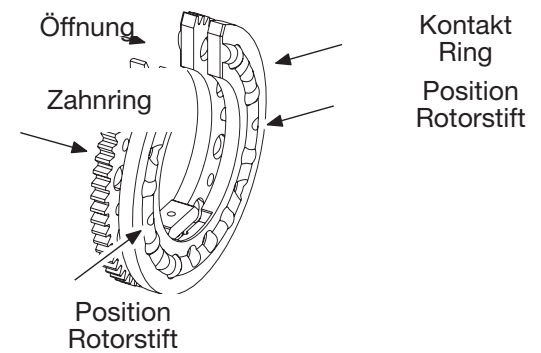


Abbildung 33 Platzieren des Rotors auf die Werkstückoberfläche

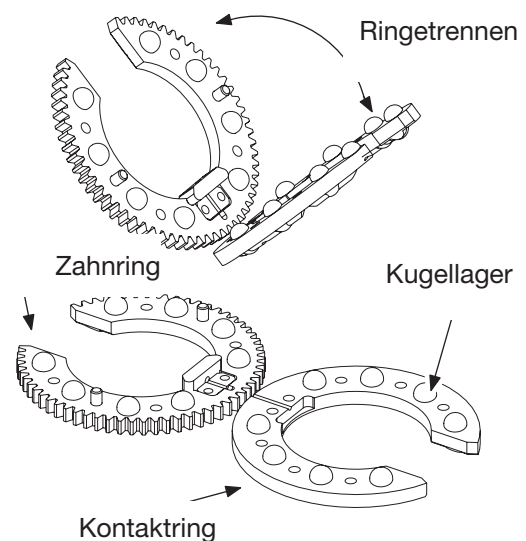


Abbildung 33 Trennen des Zahnrings vom Kontaktring

7. Keramikeinsatz entfernen. Siehe Abbildung 34.
8. Den Keramikeinsatz untersuchen. Falls Kohlenstoff- oder andere Ablagerungen vorhanden sind, mit einem feinkörnigen Schleifkissen oder einer weichen Nylonbürste reinigen.
9. Die Elektrodenklemmplatte entfernen. Mit einem feinkörnigen Schleifkissen reinigen. Siehe Abbildung 35.
10. Kontakt- und Zahnring auf Schmutz und andere Ablagerungen überprüfen. Die Ringe mit einem feinkörnigen Schleifkissen oder einer weichen Edelstahlbürste reinigen.
11. Alle Teile vor der Wiedermontage mit sauberer Druckluft reinigen.

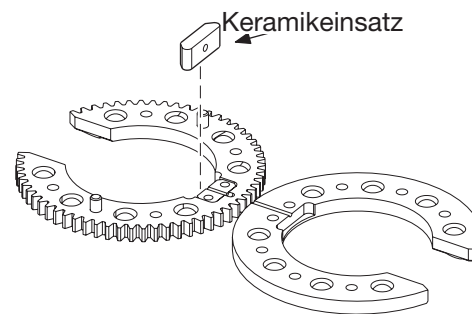


Abbildung 35 Entfernen des Keramikeinsatzes

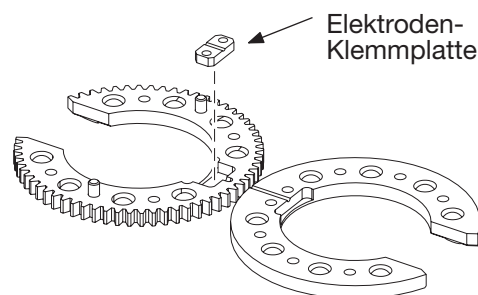


Abbildung 36 Entfernen der Elektrodenklemmplatte

## Schweißkopfeinheit

Die Montage von Schweißkopf und Rotor erfolgt in umgekehrter Reihenfolge wie die Demontage.

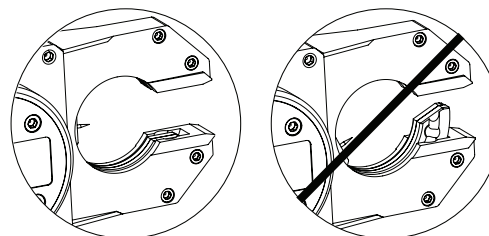
Gehen Sie zur Montage des Schweißkopfs folgendermaßen vor:

1. Führen Sie die unter **Rotor** aufgeführten Schritte in umgekehrter Reihenfolge durch.
2. Führen Sie die unter **Schweißkopf-Demontage und Reinigung** aufgeführten Schritte in umgekehrter Reihenfolge durch.
3. Überprüfen Sie, dass der Rotor in der richtigen Position ist. Siehe Abbildung 36.



**Achtung!**

**Bei der Wiedermontage keine Drähte einklemmen.**



Richtig

Falsch

Abbildung 37 Rotorposition

## Einzelteilzeichnungen

Dieser Abschnitt enthält Explosionszeichnungen der Bauteile und die dazugehörigen Teilelisten. Diese Zeichnungen werden als Hilfsmittel zur Identifikation der Bezeichnungen der Einzelteile zur Verfügung gestellt. Für die Bestellinformationen spezifischer Teile wenden Sie sich bitte an Ihren Swagelok Vertreter.

Folgende Teile werden in diesem Abschnitt identifiziert:

- SWS-10H Schweißkopf
- SWS-10H Rotorbaugruppe
- SWS-10H Motor- und Antriebseinheit
- CWS-10TFB Rohrspannblock

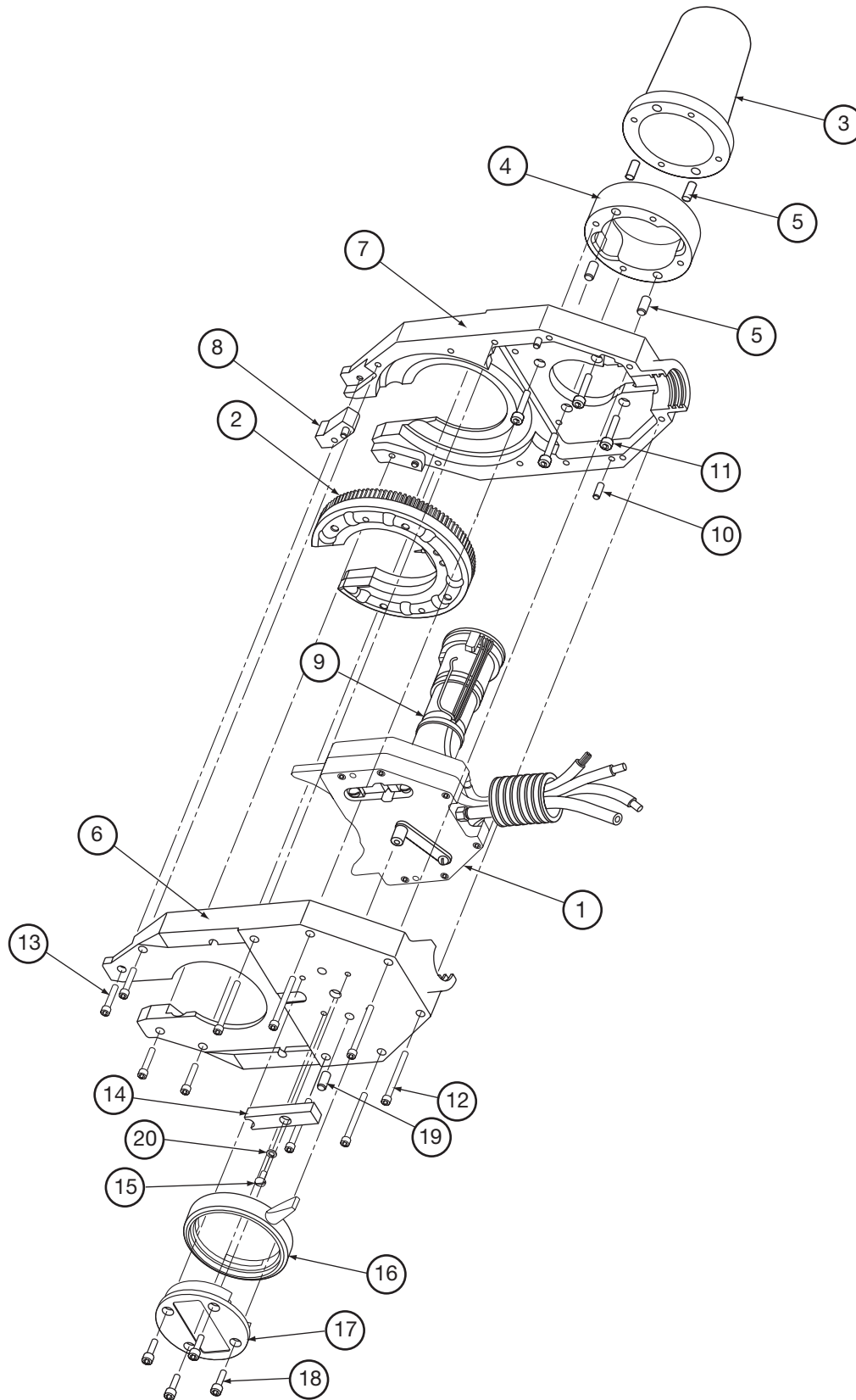


Abbildung 38 SWS-10H Schweißkopf

Tabelle 7 SWS-10H Schweißkopf-Teileliste

Referenznr	Beschreibung	Bestellnr	Mindestbestellmenge
1	Beachten Sie die Zeichnung der Motor- und Abtriebsblock-baugruppe	*	*
2	Rotorbaugruppe	11056	1
3	Motorabdeckung	SWS-WH-MT-CVR	1
4	Schweißkopfmotorabdeckungsverlängerung	SWS-WH-MT-CVR-EXT	1
5	Edelstahl-Zylinderstift	*	*
6	Gehäuse (Arbeitsseite)	SWS-10H-D-WSH	1
7	Gehäuse (Motorenseite)	SWS-10H-D-MSH	1
8	Lager	21107	1
9	Motorbaugruppe	*	*
10	Edelstahl-Zylinderstift	*	*
11	Edelstahl-Inbusschraube, 6-32 x 1,000 Zoll	188-SCSA-138-32-1000	10
12	Edelstahl-Inbusschraube, 4-40 x 1,250 Zoll	13162	10
13	Edelstahl-Inbusschraube, 4-40 x 0,625 Zoll	13160	10
14	Erdung	21093	1
15	Edelstahl-Halbrundschrabe, 4-40 x 0,250 Zoll	188-21066-RCEU	10
16	Sicherungsring	21065	1
17	Sicherungsringplatte	SWS-WH-LK-RNG-PLT	1
18	Kunststoff-Inbusschraube, 6-32 x 0,437 Zoll	13105	10
19	Edelstahl-Zylinderstift	*	*
20	Sicherungsscheibe	13208	10

Für Bestellinformationen wenden Sie sich bitte an Ihren autorisierten Swagelok Vertreter.

\* Nicht erhältlich als Ersatzteil zum Auswechseln am Einsatzort.

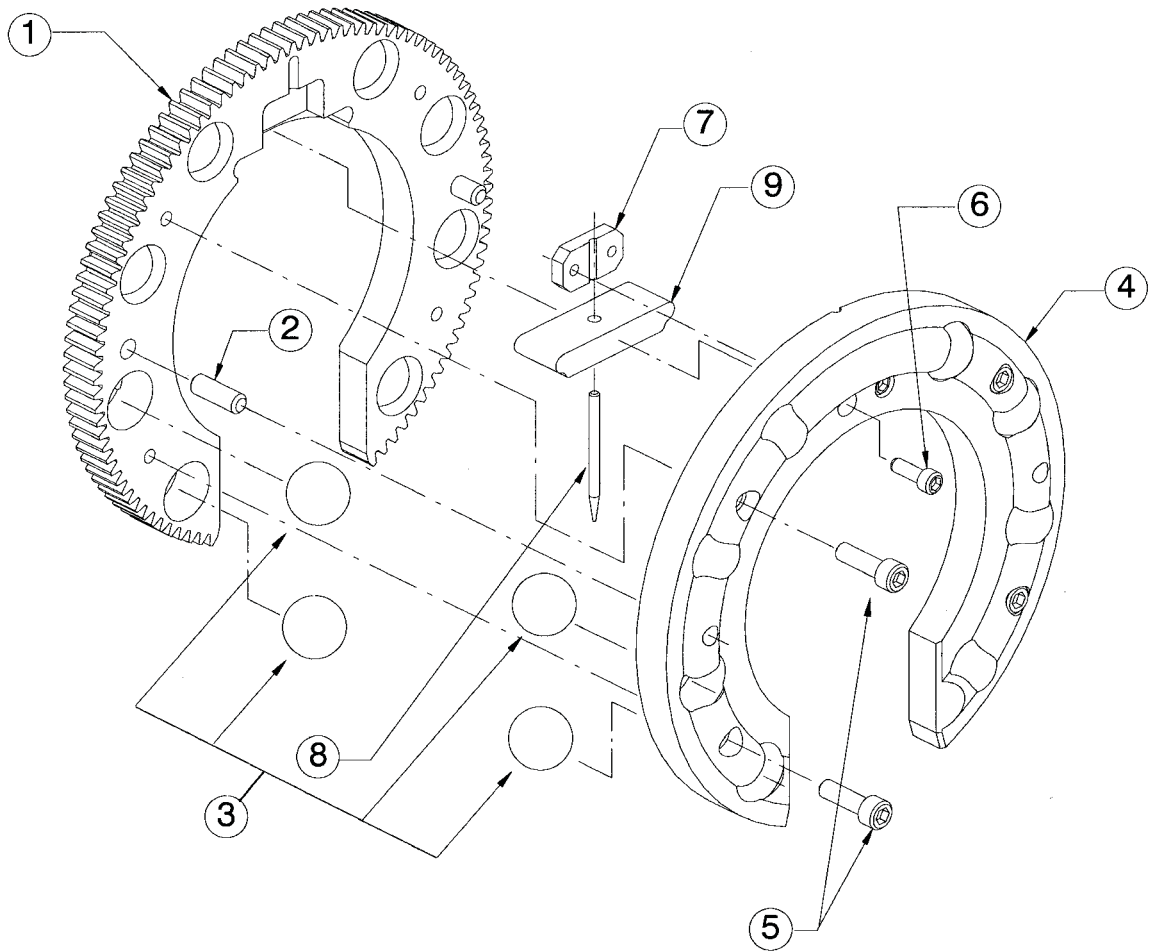


Abbildung 39 SWS-10H Rotorbaugruppe



Tabelle 8 SWS-10H Rotorbaugruppe-Teilleiste

Referenznr.	Beschreibung	Bestellnr.	Mindestbestellmenge
1	Rotorzahnkranz	10008-2	1
2	Zylinderstifte	*	*
3	Kunststoffkugellager, 0,375 Zoll	11154	10
4	Rotor-Kontaktring	11209-B	1
5	Edelstahl-Inbusschraube, 4-40 x 0,375 Zoll.	13114	10
6	Edelstahl-Inbusschraube, 2-56 x 0,250 Zoll	13176	10
7	Elektroden-Klemmplatte	11204	1
8	Siehe Elektrodentabelle (Seite 4)	-	-
9	Keramikeinsatz	11210	1

Für Bestellinformationen wenden Sie sich bitte an Ihren autorisierten Swagelok Vertreter.

\* Nicht erhältlich als Ersatzteil zum Auswechseln am Einsatzort.

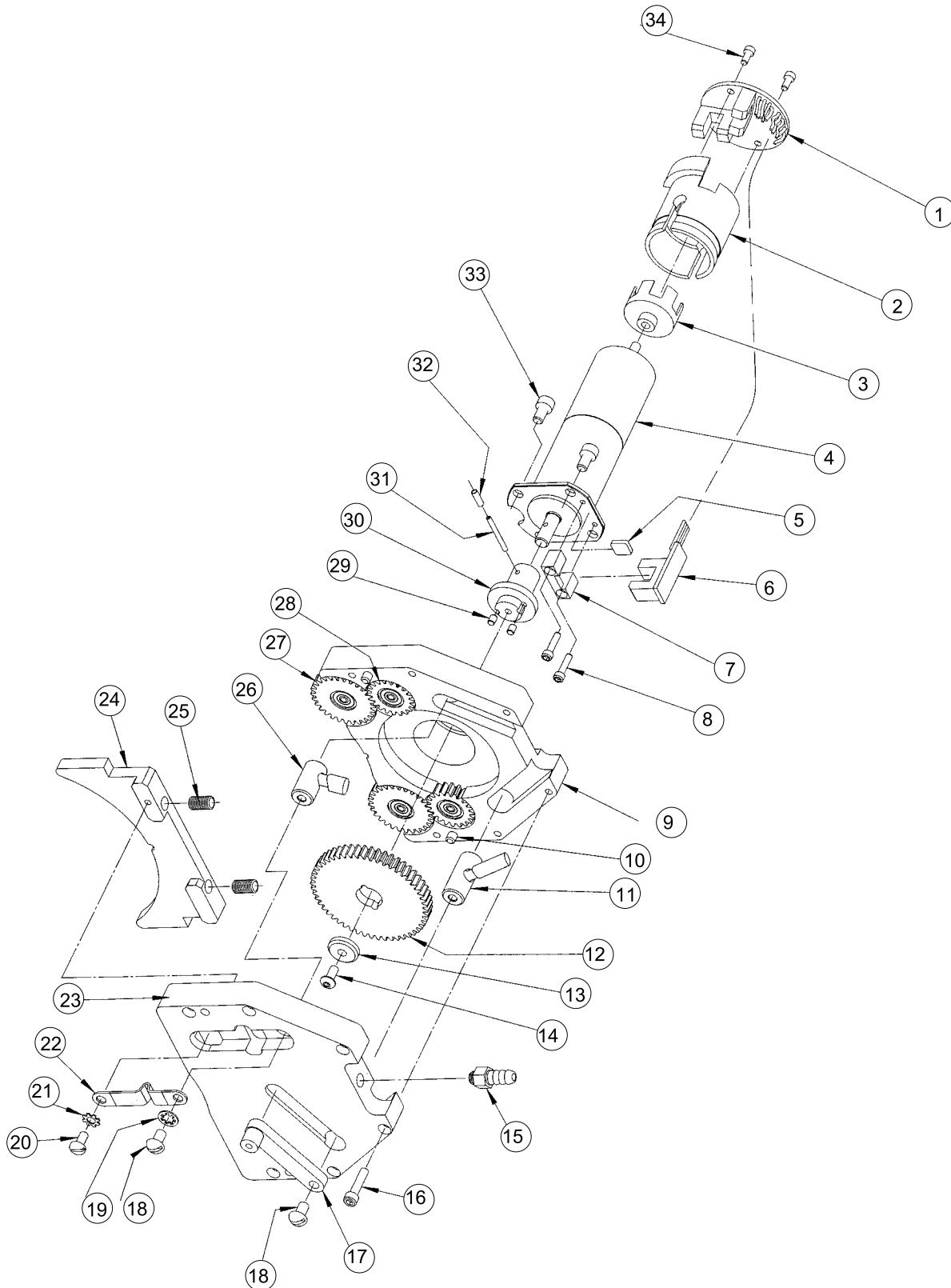


Abbildung 40 SWS-10H Motor- und Antriebsblockeinheit

Tabelle 9 SWS-10H Teileliste für Motor- und Antriebsblockeinheit

Referenznr.	Beschreibung	Bestellnr.	Mindestbestellmenge
1	Encoder-Platine	10708	1
2	Hülsensensorhalterung	*	*
3	Encoderrad	*	*
4	Motor	*	*
5	Scheibe für Ausgangsstellungssensorhalterung	11126	1
6	Ausgangsstellungssensor	10709	1
7	Ausgangsstellungssensorhalterung	11125	1
8	Edelstahl-Inbusschraube, 2-56 x 0,375 Zoll	13145	10
9	Antriebsblock (Motorseite)	21156	1
10	Edelstahl-Zylinderstift	*	*
11	Arbeitsstift	*	*
12	Antriebsrad	SWS-10H-DR-GR	1
13	Sicherungsscheibe	SWS-WH-DR-RET-WSHR	1
14	Edelstahl-Halbrundschrabe, 4-40 x 0,250 Zoll	13167	10
15	Spülanschluss	B-BN4-K62	1
16	Edelstahl-Inbusschraube, 4-40 x 0,500 Zoll	13163	10
17	Werkstückplatte	11054	1
18	Edelstahl-Rundkopfschraube, 6-32 x 0,250 Zoll	188-13124-RCEU	10
19	Edelstahl #6 Innengezahnnte Sicherungsscheibe	13251	10
20	Edelstahl-Flachkopfschraube, 4-40 x 0,250 Zoll	188-21066-RCEU	10
21	Edelstahl #4 Zahnscheibe	13171	10
22	Klammer	11117	1
23	Antriebsblock (Arbeitsseite)	21208	1
24	Bürste	SWS-10H-BRUSH	1
25	Schleifkontaktfeder	11157	10
26	Antriebsstift	*	*
27	Zahnradbauteil	10009-5	1
28	Zahnradbauteil	10009-4	1
29	Edelstahl-Zylinderstift, 0,093 x 0,125 Zoll	13133	10
30	Antriebskupplung	*	*
31	Antriebskupplungsstift	*	*
32	Hülse für Antriebskupplungsstift	*	*
33	Edelstahl-Inbusschraube, 6-32 x 0,250 Zoll	13174	10
34	Edelstahl-Inbusschraube, 2-56 x 0,187 Zoll	13111	10

Für Bestellinformationen wenden Sie sich bitte an Ihren autorisierten Swagelok Vertreter.

\* Nicht erhältlich als Ersatzteil zum Auswechseln am Einsatzort.

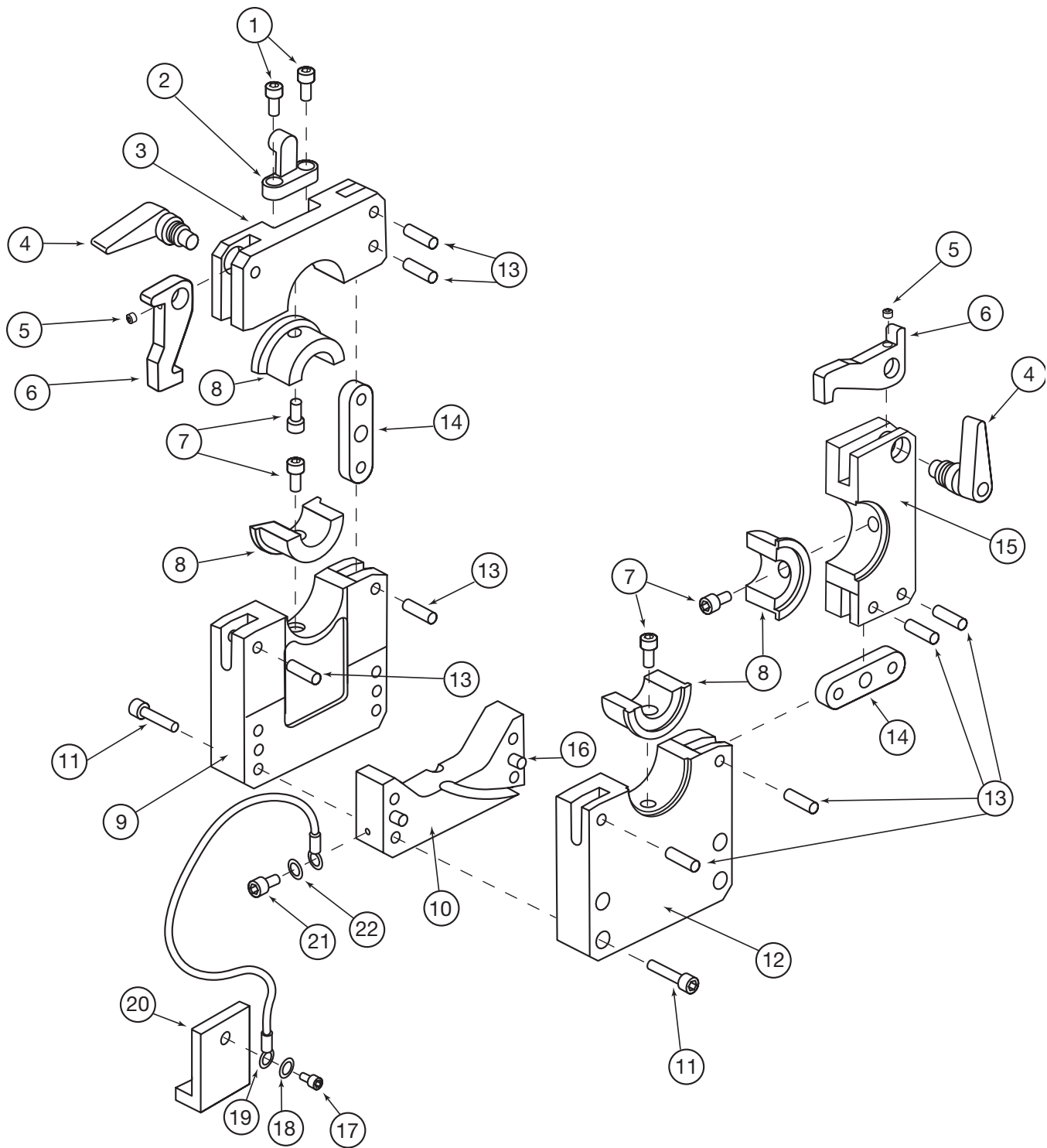


Abbildung 41 CWS-10TFB Rohrspannblock

Tabelle 10 CWS-10TFB Rohrspannblock-Teilleiste

Referenznr.	Beschreibung	Bestellnr.	Mindestbestellmenge
1	Edelstahl-Inbusschraube, 4-40 x 0,250 Zoll	13112	10
2	Sicherungsblech	12148	1
3	Seitenplattenbauteil (links)	CWS-10TSPL	1
4	Hebelnockenbauteil	12130-2	1
5	Edelstahl-Stellschraube, 4-40 x 0,125 Zoll	12132	10
6	Riegel	12146	1
7	Edelstahl-Inbusschraube, 4-40 x 0,250 Zoll	13112	10
8	Siehe Spannfuttertabellen (in Orbitalschweißsystem, Serie 10, MS-02-131)	-	-
9	Seitenplattenbauteil (links)	CWS-10TSPL	1
10	Plenum-Bauteil	CWS-10PLEN	1
11	Edelstahl-Inbusschraube, 10-24 x 0,625 Zoll	13118	10
12	Seitenplattenbauteil (rechts)	CWS-10TSPR	1
13	Zylinderstift	*	*
14	Scharnier	*	*
15	Seitenplattenbauteil (rechts)	CWS-10TSPR	1
16	Zylinderstift	*	*
17	Edelstahl-Inbusschraube, 4-40 x 0,187 Zoll	13207	10
18	Edelstahl #4 Zahnscheibe	13171	10
19	Draht (Länge 12 Zoll)	13231	1
20	Zentrierlehre	CWS-10CG	1
21	Edelstahl-Inbusschraube, 4-40 x 0,250 Zoll	13112	10
22	Edelstahl 10 Zahnscheibe	13131	10

Für Bestellinformationen wenden Sie sich bitte an Ihren autorisierten Swagelok Vertreter..

\* Nicht erhältlich als Ersatzteil zum Auswechseln am Einsatzort.

### **Garantieinformationen**

Swagelok Produkte fallen unter die eingeschränkte Swagelok Nutzungsdauergarantie. Eine Kopie erhalten Sie auf der Website [swagelok.de](http://swagelok.de) oder von Ihrem autorisierten Swagelok-Vertreter.

# シリーズ 10 ウェルド・ヘッド



ユーザー・マニュアル

# 目次

ウェルド・ヘッド	75
フィクチャー・ブロック	75
ウェルド・ヘッド運送用ケースの開梱	76
ウェルド・ヘッドの取り付け	77
ウェルド・ヘッドへの電極の取り付け	78
アーク・ギャップ・ゲージ設定値の算出	80
アーク・ギャップの設定	81
溶接物の固定	86
メンテナンス	91
構成部品の分解図	99



## ウェルド・ヘッド

Swagelok ウェルディング・システム(SWS)シリーズ 10 ウェルド・ヘッドは、外径サイズ 1/4 インチから 1 インチまで、6 mm から 25 mm までの溶接を一貫して正確に行います。

ウェルド・ヘッド内の直流モーターによってローターが起動し、溶接接合部の周りでタングステン電極を回転させます。ウェルド・ヘッド内の光学回路はパワー・サプライに正確なフィードバックを送り、ローターのスピードを制御します。

ウェルド・ヘッド内の可動部品はすべて低摩擦装置に取り付けられているため、一貫してスムーズに作動します。

スプリング・ロード式フローティング・ブラシは、常にローター円周のほぼ 3 分の 1 に接触しています。このため、ローターおよび電極への電気伝導性が常に一定となります。

## フィクスチャー・ブロック

SWS シリーズ 10 フィクスチャー・ブロックは、チューブ、継手、バルブ・ボディを正確に配列して保持します。モジュラー・デザインを採用しているため、異なるサイド・プレートを使用して溶接に必要な形状を作成することができます。

フィクスチャー・ブロックはウェルド・ヘッドと分離しているため、作業前の溶接物の位置合わせや固定が容易です。また、複数のフィクスチャー・ブロックを使用することで、生産性の向上を図ることができます。

各フィクスチャー・ブロックは、さまざまなサイズの溶接物に対応します。ユニバーサル・コレット・インサート (UCI) とフィクスチャー・ブロックを組み合わせると、溶接物のサイズに適合させることができます。コレットは、呼び外径公差 0.13 mm 以内のチューブおよび継手を確実に固定します。コレットは容易に交換することができるため、フィクスチャー・ブロックはさまざまな溶接要件にも柔軟に対応します。

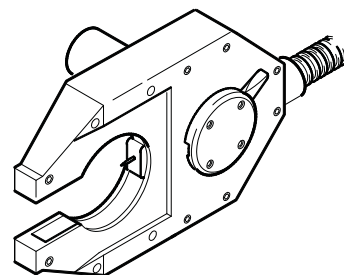


図 1：シリーズ 10 ウェルド・ヘッド

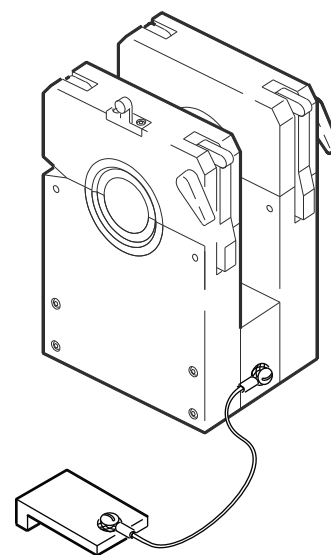


図 2：シリーズ 10 フィクスチャー・ブロック

## ウェルド・ヘッド運送用ケースの開梱

以下のウェルド・ヘッド部品は、クッション材を施した運送用ケースに収納されています。

- ウェルド・ヘッド
- アーク・ギャップ・ゲージ
- 電極バック
- 工具セット

Swagelok シリーズ 10 ウェルド・ヘッド入荷の際は、以下の点についてご確認ください。

1. 運送用ケースに損傷がないか検査します。
2. 運送用ケースから部品を取り出します。
3. 部品に損傷がないか点検します。
4. ウェルド・ヘッドのシリアル・ナンバーと、運送用ケースに記載のシリアル・ナンバーが一致していることを確認します。
5. 型式番号、シリアル・ナンバー、納入日を「登録インフォメーション・フォーム」に記入します（フォームはパワー・サプライ・ユーザー・マニュアルに入っています）。

## ウェルド・ヘッドの取り付け

ウェルド・ヘッドには、パワー・サプライに接続するコネクタが 4 つあります。

ケーブルには、以下の 4 つのコネクタがあります。

- ウェルド・ヘッド
- 電極 (赤色)
- ワーク (緑色)
- ウェルド・ヘッド・シールド・ガス

以下の手順に従って、パワー・サプライの側面パネルに、4 つのコネクタを接続してください (図 4 参照)。

1. ウェルド・ヘッドを設置します。
2. 1/4 回転コネクタの溝を、側面パネルの「WELD HEAD (ウェルド・ヘッド)」と表示されたソケットの小さなタブに合わせます。コネクタをソケットに差し込みます。コネクタ固定用スリーブを時計回りに手でまわして締め付けます。この接続により、ウェルド・ヘッドを動かすのに必要な制御信号が伝わります。
3. 赤色のコネクタを、側面パネルの「ELECTRODE (電極)」と表示されたソケットに完全に底に当たるまで差し込みます。コネクタを時計回りに 1/4 回転まわして固定します。この接続が、ウェルド・ヘッドの負 (-) のターミナルです。
4. 緑色のコネクタを、側面パネルの「WORK (ワーク)」と表示されたソケットに差し込みます。コネクタを時計回りに 1/4 回転まわして固定します。この接続が、ウェルド・ヘッドの正 (+) のターミナルです。
5. ウェルド・ヘッド・シールド・ガス用コネクタを、「TO WELD HEAD (ウェルド・ヘッドへ)」と表示された Swagelok クイック・コネクツ・システムに差し込みます。コネクタがしっかりと装着されていることを確認してください。この接続により、パワー・サプライ内のマス・フロー・コントローラー (MFC) を経由して、シールド・ガスがウェルド・ヘッドに供給されます。

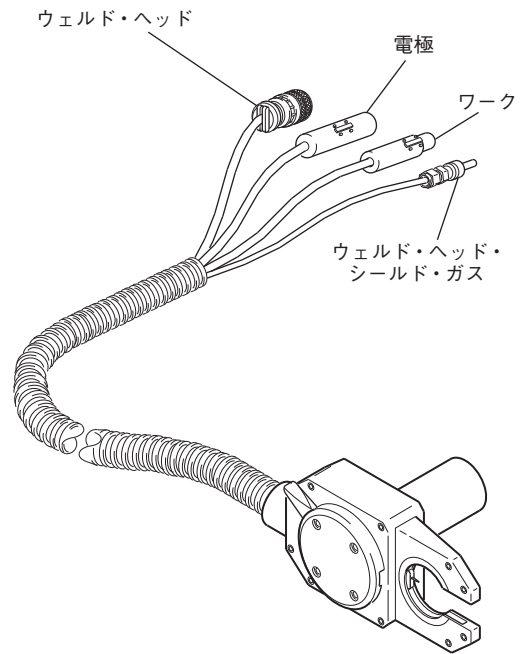


図 3: ウェルド・ヘッド

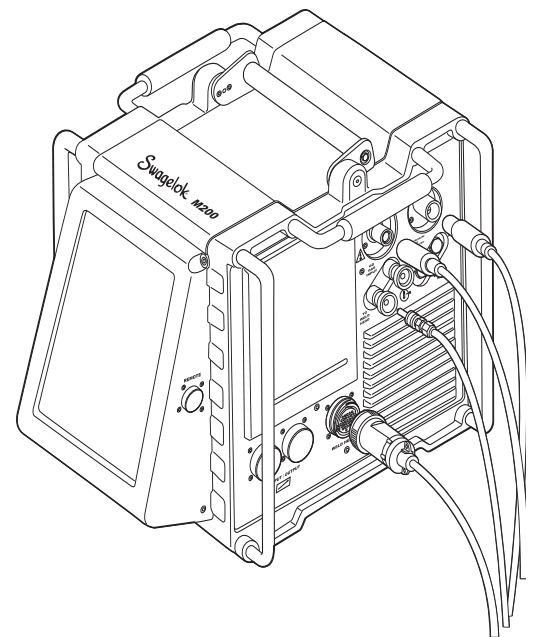


図 4: ウェルド・ヘッド・コネクタ



### 注意!

ウェルド・ヘッド・コネクタが適合するソケットに完全に底に当たるまで差し込まれ、スリーブが締め付けられていることをご確認ください。

### 注:

ウェルド・ヘッド・シールド・ガス用コネクタには必ず、シングル・エンド・シャット・オフ (SESO) 型 Swagelok クイック・コネクツ・システム (型番: SS-QC4-S-400) をご使用ください。

## ウェルド・ヘッドへの電極の取り付け

Swagelok ウェルド・ヘッドには電極パックが付属しています。以下の手順に従って、電極をウェルド・ヘッドに正しく取り付けてください。

### 適切な電極の選択

電極の長さおよび直径は、使用するウェルド・ヘッド・モデルおよび溶接物の外径サイズによって決まります。表 1：電極選定表を参照して、正しい電極を選んでください。

表 1：電極選定表

電極型番	溶接物外径サイズ	電極長さ (L)	電極直径 (D)
CWS-C.062-1.105-P	1/4 インチ	1.105 インチ (28.07 mm)	0.062 インチ (1.57 mm)
	3/8 インチ		
	1/2 インチ		
	6 mm		
	8 mm		
	10 mm		
	12 mm		
	14 mm		
	15 mm		
CWS-C.062-.855-P	3/4 インチ	0.855 インチ (21.72 mm)	0.062 インチ (1.57 mm)
	7/8 インチ		
	18 mm		
	22 mm		
	1 インチ		
	23 mm		
25 mm			

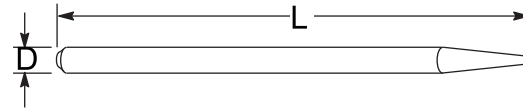
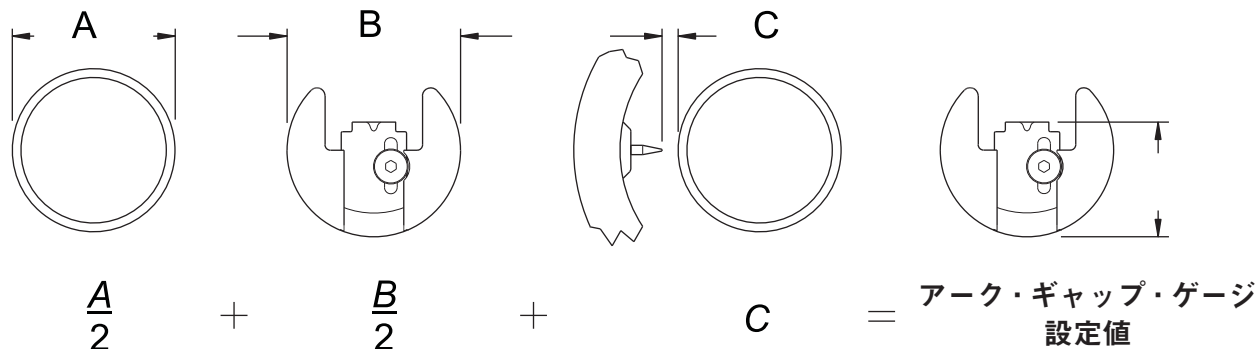


図 5：電極長さ／直径



## アーク・ギャップ・ゲージ設定値の算出

特定のアーク・ギャップ用のアーク・ギャップ・ゲージ設定値を算出する際は、以下の公式を使用してください。



ここで、

A = チューブまたは継手の溶接エンドの最大外径サイズ (溶接物の直径)

B = アーク・ギャップ・ゲージ直径

C = 使用するアーク・ギャップ

図 7: アーク・ギャップ・ゲージ設定値の公式

### 例 1: シリーズ 10 ウェルド・ヘッド

チューブ突き合わせ溶接 (1/2 インチ・サイズ - 1/2 インチ・サイズ)  
— 最大外径サイズ

A = 0.503 インチ

アーク・ギャップ・ゲージ直径

B = 1.994 インチ

使用するアーク・ギャップ

C = 0.040 インチ

$$\frac{0.503 \text{ インチ}}{2} + \frac{1.994}{2} + 0.040 \text{ インチ} = 1.288 \text{ インチ}$$

### 例 2: シリーズ 10 ウェルド・ヘッド

チューブ突き合わせ溶接 (12 mm サイズ - 12 mm サイズ)

— 最大外径サイズ

A = 12.07 mm

アーク・ギャップ・ゲージ直径

B = 50.65 mm

使用するアーク・ギャップ

C = 1.02 mm

$$\frac{12.07 \text{ mm}}{2} + \frac{50.65 \text{ mm}}{2} + 1.02 \text{ mm} = 32.38 \text{ mm}$$

## アーク・ギャップの設定

アーク・ギャップ設定を正しく行うことで溶接を容易にコントロールすることができるため、一貫した溶接を行うことができます。以下の手順に従って、アーク・ギャップの設定を行ってください。

アーク・ギャップは、ウェルド・ヘッドに付属しているアーク・ギャップ・ゲージを使用して設定します。アーク・ギャップ・ゲージは、使用するアーク・ギャップに合わせて調節してから、ローター内に取り付けます。アーク・ギャップ・ゲージを所定の位置にセットすることで、電極の位置がほぼ正確に決まります。

## アーク・ギャップ・ゲージの設定

1. ノギスまたはマイクロメーターを使用して、溶接物の外径サイズを測定します。図 8 (A) をご参照ください。M200 パワー・サプライの場合、「自動作成」機能を使用すると、アーク・ギャップ・ゲージ設定値を自動で計算します。
2. 82 ページの表を参照して、呼び外径サイズを確認します。測定値に最も近い「実際の」外径サイズを見つけます。
3. アーク・ギャップ・ゲージを調節して 82 ページの表の設定値に合わせます。図 8 (B) をご参照ください。

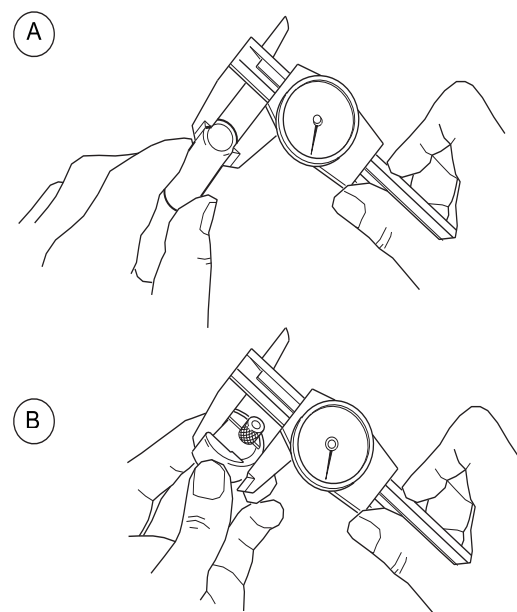


図 8：アーク・ギャップ・ゲージを設定する

表2：SWS-10H (アーク・ギャップ・ゲージ直径：1.994 インチ)

呼び 外径 サイズ (インチ)	実際の 外径 サイズ (インチ)	0.025 インチの アーク・ ギャップ 設定値 (インチ)	0.030 インチの アーク・ ギャップ 設定値 (インチ)	0.035 インチの アーク・ ギャップ 設定値 (インチ)	0.040 インチの アーク・ ギャップ 設定値 (インチ)	0.045 インチの アーク・ ギャップ 設定値 (インチ)	0.050 インチの アーク・ ギャップ 設定値 (インチ)	0.5 mm の アーク・ ギャップ 設定値 (mm)	0.64 mm の アーク・ ギャップ 設定値 (mm)	0.76 mm の アーク・ ギャップ 設定値 (mm)	1.02 mm の アーク・ ギャップ 設定値 (mm)	1.14 mm のアーク・ ギャップ 設定値 (mm)
1/4	0.250	1.147	1.152	1.157	1.162	1.167	1.720	29.00	29.14	29.26	29.52	29.64
3/8	0.375	1.209	1.214	1.219	1.224	1.229	1.234	30.58	30.72	30.84	31.10	31.22
1/2	0.500	1.272	1.277	1.282	1.287	1.292	1.297	32.18	32.32	32.44	32.70	32.82
5/8	0.625	1.335	1.340	1.345	1.350	1.355	1.360	33.76	33.90	34.02	34.28	34.40
3/4	0.750	1.397	1.402	1.407	1.412	1.417	1.422	35.35	35.49	35.61	35.87	35.99
7/8	0.875	1.460	1.465	1.470	1.475	1.480	1.485	36.94	37.08	37.20	37.46	37.58
1	1.000	1.522	1.527	1.532	1.537	1.542	1.547	38.53	38.67	38.79	39.05	39.17

表3：SWS-10H (アーク・ギャップ・ゲージ直径：50.65 mm)

呼び 外径サイズ (mm)	実際の 外径サイズ (mm)	0.50 mm の アーク・ギャップ 設定値 (mm)	0.64mm の アーク・ギャップ 設定値 (mm)	0.76mm の アーク・ギャップ 設定値 (mm)	1.02mm の アーク・ギャップ 設定値 (mm)	1.14 mm の アーク・ギャップ 設定値 (mm)
6	6.00	28.83	28.97	29.09	29.35	29.47
8	8.00	29.83	29.97	30.09	30.35	30.47
10	10.00	30.83	30.97	31.09	31.35	31.47
12	12.00	31.83	31.97	32.09	32.35	32.47
18	18.00	34.83	34.97	35.09	35.35	35.47
22	22.00	36.83	36.97	37.09	37.35	37.47
23	23.00	37.33	37.47	37.59	37.85	37.97
25	25.00	38.33	38.47	38.59	38.85	38.97

表4：SWS-10H (ATW 継手用アーク・ギャップ・ゲージ直径)

ATW サイズ	カフ外径サイズ	0.045 インチ (1.14 mm) の アーク・ギャップ 設定値
1/4 インチ	0.29 インチ	1.186 インチ
3/8 インチ	0.41 インチ	1.248 インチ
1/2 インチ	0.55 インチ	1.316 インチ
3/4 インチ	0.80 インチ	1.441 インチ
1 インチ	1.06 インチ	1.571 インチ
6 mm	7.0 mm	29.97 mm
8 mm	9.0 mm	30.98 mm
10 mm	11.0 mm	31.98 mm
12 mm	13.2 mm	33.10 mm
18 mm	19.2 mm	36.11 mm
23 mm	25.4 mm	38.5 mm



## 電極のローターへの挿入

1. フィクスチャー・ブロックを取り付けていない状態で、本体スイッチ・パネルの「電極交換」を押します。電極が図9の位置に移動します。
2. 2個の電極固定ねじを緩めます。電極を交換する場合は、電極を取り外します。
3. 未使用の電極を差し込みます。その際、電極の鋭利な先端が外側に向いていることを確認します。電極固定ねじを軽く締め付けて、所定の位置に仮留めします。
4. アーク・ギャップ・ゲージを使用して、適切なアーク・ギャップをセットします。

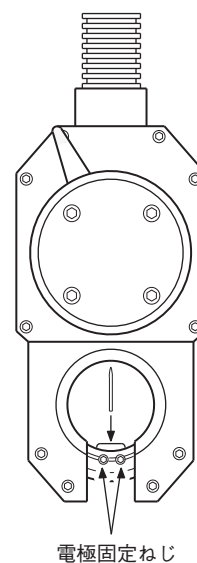


図9：電極を取り付ける



### 警告！

電極に触れている間は「スタート」を押さないでください。



### 注意！

電極を所定の位置に固定するまでは、ローターを回転あるいは動かさないでください。



### 注意！

「電極交換」を押すと、ローターが移動します。ローターに指を挟まないようにご注意ください。

## アーク・ギャップの設定

1. 「ジヨグ」または「電極交換」を押してローターを適切な位置にセットします。これで電極固定ねじが確認できるようになります。
2. アーク・ギャップ・ゲージをローターに差し込みます。図10 (A) をご参照ください。
3. ウェルド・ヘッドを上向きに傾けます。電極固定ねじを緩めると、アーク・ギャップ・ゲージ表面上に電極が落下します。図10 (B) をご参照ください。
4. 電極を固定できる程度に電極固定ねじを締め付けます。アーク・ギャップ・ゲージを取り外します。
5. 「ホーム」または「電極交換」を押して、ローターをホーム・ポジションに戻します。

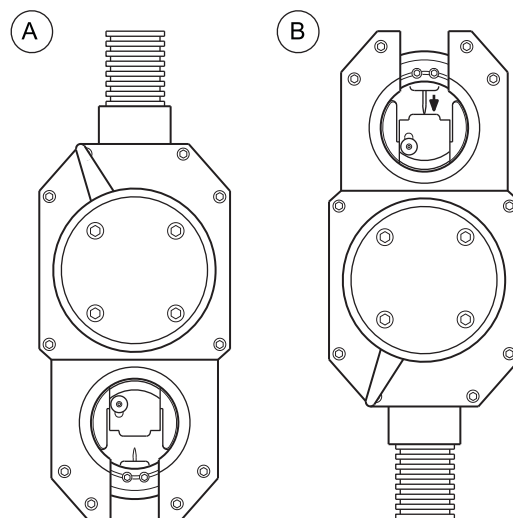


図10：アーク・ギャップを設定する



### 注意！

電極を所定の位置に固定するまでは、ローターを回転あるいは動かさないでください。



### 注意！

「ジヨグ」、「電極交換」、「ホーム」を押すと、ローターが移動します。ローターに指を挟まないようご注意ください。

## 溶接物の準備

溶接前に、適切にチューブを準備することが重要です。図 11 をご参照ください。

再現性のある高品質な自生融解溶接を確実に行うためには、チューブは厳密に直角かつバリのないものでなければなりません。チューブを切断する場合は、金のこあるいはチューブ・カッターを使用してください。チューブの端面は、旋盤あるいはポータブルなフェーシング・ツールを用いて処理してください。チューブ端面のバリ取りを行い、チューブの内径および外径の両方が厳密に直角かつバリのないことをご確認ください。適切な溶剤を用いてチューブ端面のクリーニングを行ってください。

以下のガイドラインに従うことで、高品質の溶接を行うことができます。

- チューブ端面は、必ず厳密な直角にしてください。
- チューブ端面は、公称肉厚との公差が  $\pm 15\%$  を超えないようにしてください。
- チューブ端面のバリは必ず取ってください。
- チューブ端面に付着している不純物（さび、グリース、オイル、塗料など）を除去してください。

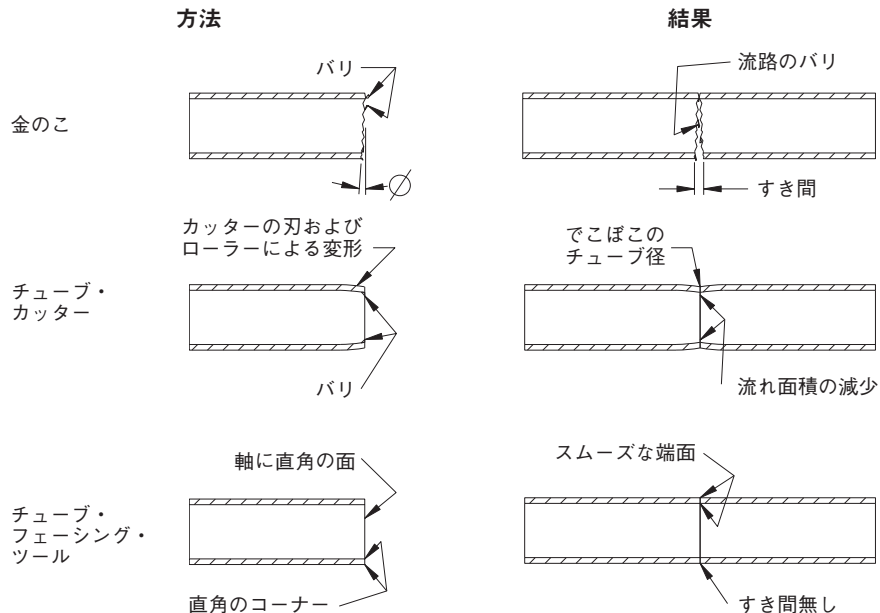


図 11：チューブを準備する

## 溶接物の固定

適切なフィクスチャー・ブロックを選択または構成します。溶接物の外径サイズに適合するコレットを選びます。

### フィクスチャー・ブロックおよびコレットの選択

1. 溶接するチューブの外径サイズに適合するフィクスチャー・ブロックを選びます。表5をご参照ください。

表5：フィクスチャー・ブロック

モデル	対応する外径サイズ	溶接直管部の最小長さ
CWS-10TFB	1/4 ~ 1インチ (6 ~ 25mm)	3/4インチ (19mm) (カウンターボアあり) 15/16インチ (24mm) (カウンターボアなし)

2. 溶接する部品の直径に適したコレットを選びます。表6をご参照ください。

表6：コレット

モデル	対応する外径サイズ	備考
CWS-10UCI-X <sup>①</sup> (カウンターボアあり)	1/4 ~ 1インチ (6 ~ 25mm)	チューブ/継手
CWS-10UCI-XT <sup>①</sup> (カウンターボアなし)	1/4 ~ 1インチ (6 ~ 25mm)	チューブ/継手

①X部分にはコレット・サイズ [インチ・サイズ (1/16インチ刻み) またはミリ・サイズ (末尾がMM)] が入ります。

### チューブ用フィクスチャー・ブロック内へのコレットの取り付け

1. 両方のレバーを外してチューブ用フィクスチャー・ブロックを開きます。図12をご参照ください。
2. 上部および下部サイド・プレートの両方にコレットを取り付け、コレット止めネジを締め付けます。コレットの肩とフィクスチャー・サイド・プレートに段差がないことを確認します。図13をご参照ください。

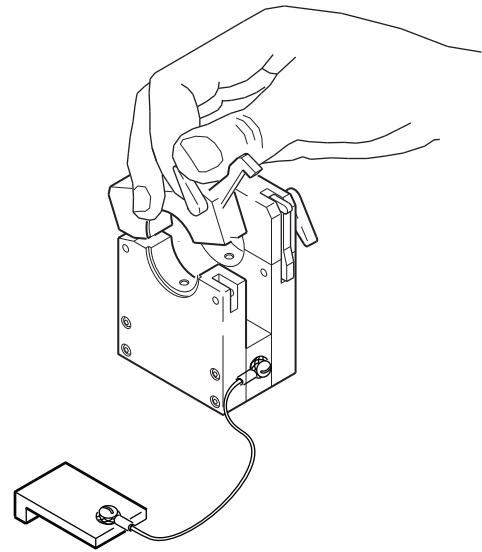


図12：フィクスチャー・ブロックを開く

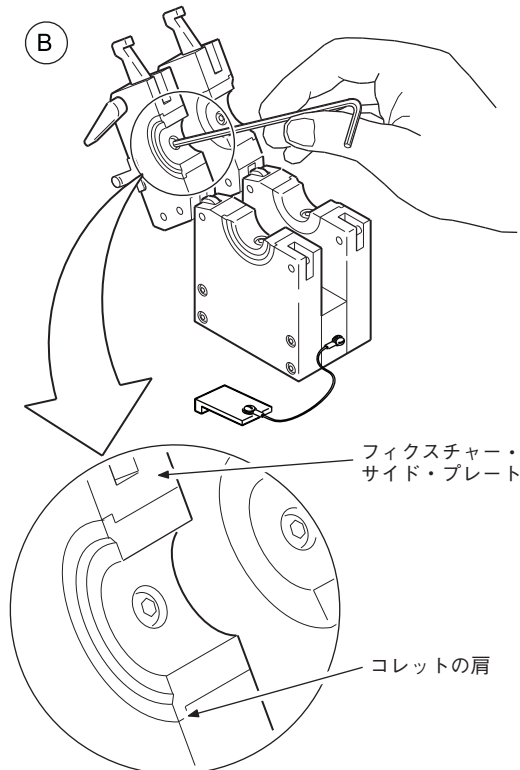
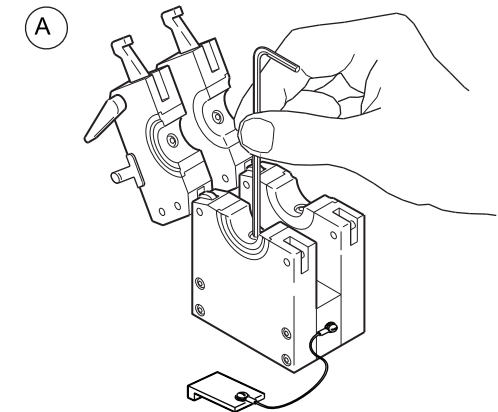


図13：コレットを取り付ける

### 溶接物とチューブ用フィクスチャー・ブロックの位置合わせ

1. チューブ用フィクスチャー・ブロックの片側にセンタリング・ゲージをセットします。センタリング・ゲージはコレットの幅全体にかかっている必要があります。図 14 をご参照ください。
2. 溶接物をセンタリング・ゲージに突き合わせます。図 15 (A) をご参照ください。
3. 上部サイド・プレートを開けて固定します。図 15(B) をご参照ください。
4. センタリング・ゲージを取り外します。

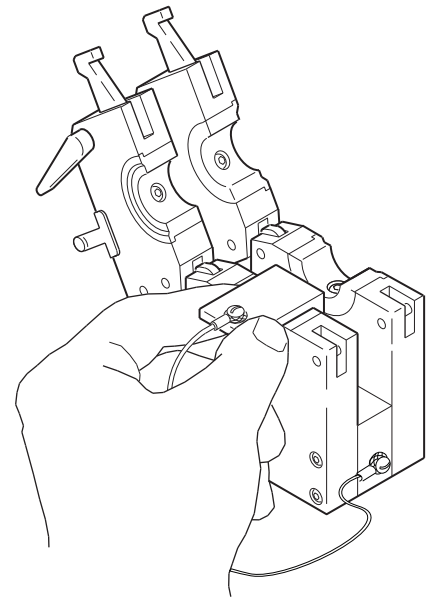


図 14：センタリング・ゲージをセットする

注：

Swagelok ATW 継手をチューブに溶接する際は、最初にチューブをセンタリング・ゲージに突き合わせてください。

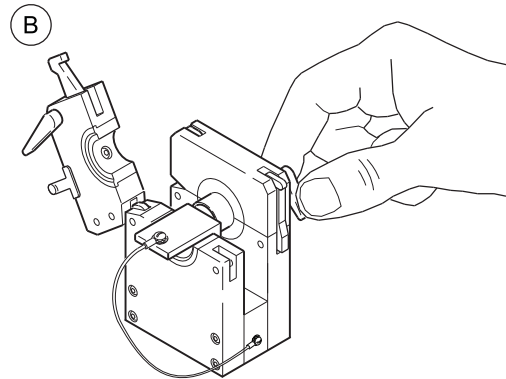
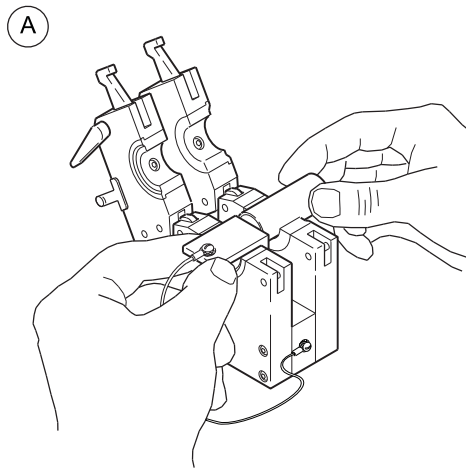


図 15：最初の溶接物をフィクスチャー・ブロックにセットする

5. 2つ目の溶接物を最初の溶接物に突き合わせてから、上部サイド・プレートを開けて固定します。図16をご参照ください。
6. 溶接接合部の外周（360°）全体を検査し、突き合わせ面にすき間がなく、アライメント（位置合わせ）が正しく行われていることを確認します。アライメント（位置合わせ）がずれている場合は、次のセクションに進んでください。

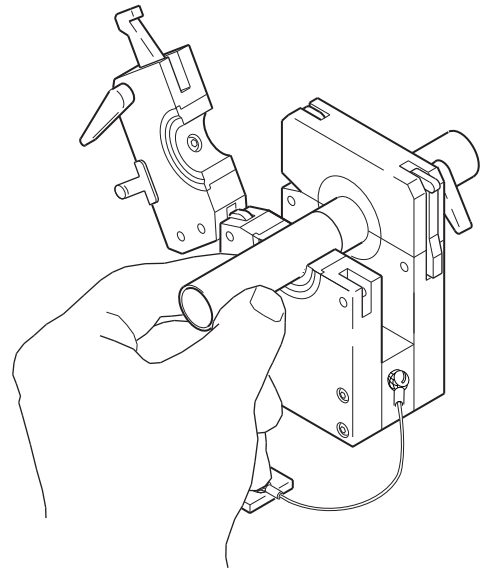


図16：2つ目の溶接物をセットする

### チューブ・チューブ用フィクスチャー・ブロックの調節

フィクスチャー・ブロック内で溶接物を正確にアライメント（位置合わせ）するには、定期的にサイド・プレートの位置合わせを行う必要があります。

以下の手順に従って、フィクスチャー・ブロックの位置合わせを行ってください。

1. フィクスチャー・ブロックをひっくり返し、センター・プレート上の方向を示す矢印を見つけます。この矢印は、適切なサイド・プレートを指し示しています。図17をご参照ください。
2. 付属品の3/32インチ・サイズの六角レンチを使用して、適切なサイド・プレートのキャップ・ネジ4本を緩めて、サイド・プレートをセンター・プレートから少し離します。図17を参照して、適切なサイド・プレートを確認します。
3. フィクスチャー・ブロックを上向きに戻し、両方のレバーを外してフィクスチャー・ブロックを両側とも開きます。

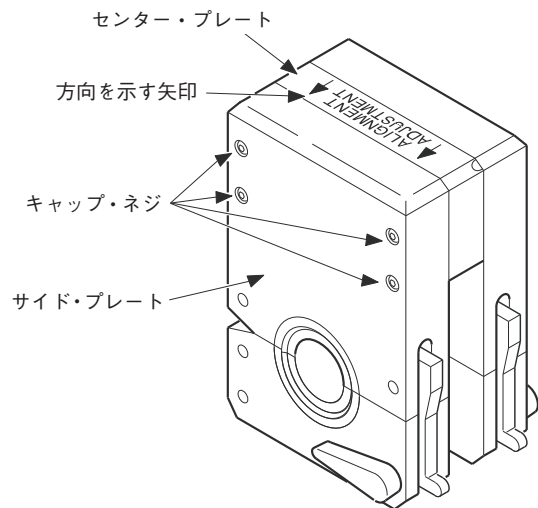


図17：サイド・プレートを緩める

4. 両方のサイド・プレートに載る程度の長さの直管チューブ (最小長さ : 38.1 mm) をコレットにセットします。
5. 調節ができない方のサイド・プレートを閉じて固定します。図 18 をご参照ください。
6. 緩めた上部サイド・プレートを閉じて固定します。
7. 緩めたサイド・プレートの 4 本のキャップ・ネジを締め付けます。サイド・プレートの滑落防止のため、キャップ・ネジは均等に締め付けてください。
8. サイド・プレートを開いてチューブを取り外します。

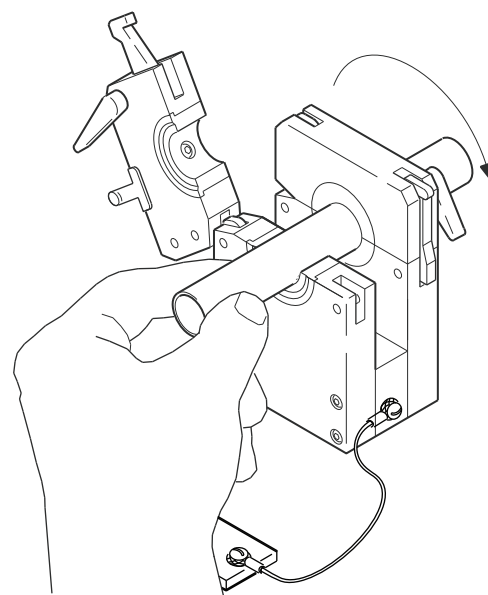


図 18 : チューブをセットする

### ウェルド・ヘッドとフィクスチャー・ブロックの取り付け

1. ウェルド・ヘッドのロックング・レバーを反時計回りにまわします（止まるまで）。図19をご参照ください。
2. ウェルド・ヘッドをフィクスチャー・ブロックに差し込みます。図20(A)をご参照ください。
3. ロックング・レバーを時計回りにまわしてウェルド・ヘッドを固定します。図20(B)をご参照ください。

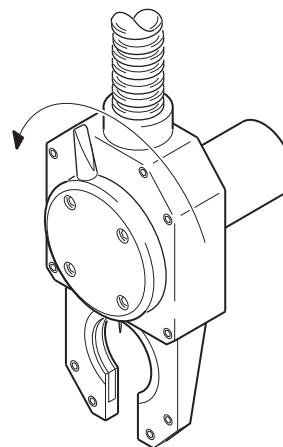


図19：ロックング・レバーを外す

### ウェルド・ヘッドの操作

ウェルド・ヘッドを操作する際は、以下のパラメーターを使用してください。

シールド・ガス流量 (std L/min)	4.7 ~ 9.4 <sup>①</sup>
最小プリバースおよび ポストバース時間 (秒)	20 <sup>②</sup>
最大推奨平均電流値	75 A (使用率 50%) <sup>③</sup>

① 溶接電流が高い時は、流量を高めに設定してください。

② 高電流率で溶接する際は、連続的に流して冷却してください。

③ ウェルド・ヘッド延長ケーブル (オプション) を使用する際は、出力電流が下がる場合があります。

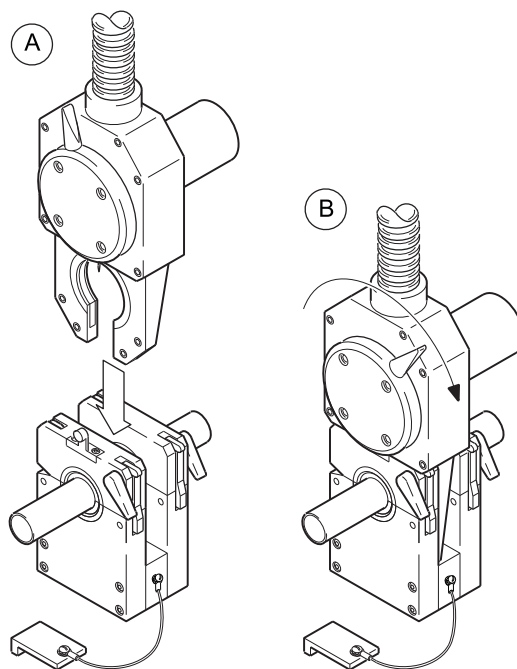


図20：ウェルド・ヘッドとフィクスチャー・ブロックを組み立てる



## メンテナンス

Swagelok ウェルディング・システム (SWS) 装置が常に正常に機能するように、システム部品の定期的なメンテナンスを行ってください。

本セクションでは、フィクスチャー・ブロックおよびウェルド・ヘッドのメンテナンス手順について説明します。

部品の詳細図および各部品をご注文の際は、本マニュアルの最後の「構成部品の分解図」の項をご参照ください。

フィクスチャー・ブロックのメンテナンスは、毎日かつ溶接を 40 時間行う毎に行ってください。使用状況と磨耗の状態によっては、溶接が 40 時間以下の場合でもメンテナンスを行ってください。

### フィクスチャー・ブロックの毎日のメンテナンス

日常の作業前に以下の作業を行ってください。

1. フィクスチャー・ブロックに汚れ、磨耗、損傷が生じていないか検査します。
2. 清潔な柔らかい布を使用して、フィクスチャー・ブロックから汚れ、カーボン、付着物を取り除きます。アルコールやアセトンなどの溶剤を使用することも可能です。頑固な付着物は目の細かい研磨パッドで取り除いてください。

日常の作業後に、フィクスチャー・ブロックのクリーニングを行い、乾燥した場所に保管してください。

注：

本セクションの手順を行っている際に問題が生じた場合は、パワー・サプライ・ユーザー・マニュアルの「トラブルシューティング」の項を参照するか、スウェーデン指定販売会社までお問い合わせください。

## フィクチャー・ブロックの定期的なメンテナンス

溶接を 700 ～ 900 回行う毎に以下の作業を行ってください。

1. コレットの検査およびクリーニングを行います。図 21 (A) をご参照ください。
2. スクラッチ傷やへこみが点検します。
3. 柔らかいステンレス鋼製ワイヤー・ブラシを使用して、コレットの全表面から汚れや酸化物を取り除きます。
4. 目の細かい研磨パッドを使用して、サイド・プレートの陽極酸化処理していない接合表面から酸化物を取り除きます。図 21 (B) をご参照ください。
5. 清潔な柔らかい布を使用して、サイド・プレートの内面から汚れや酸化物を取り除きます。図 21 (C) をご参照ください。頑固な付着物は、目の細かい研磨パッドを使用して取り除いてください。
6. レバー・カムおよびラッチがスムーズに動作するか点検します。図 22 をご参照ください。
  - a. ラッチから止めネジを取り外し、フィクチャー・ブロックからレバー・カムを引いて取り外します。
  - b. レバー・カムのクリーニングを行います。
  - c. 止めネジを元通りに取り付け、所定の位置にしっかりと固定されていることを確認します。
7. フィクチャー・ブロックが溶接物を適切に固定していることを確認します。
  - a. コレットをフィクチャー・ブロックの片側に取り付けます。
  - b. コレットと同じサイズのチューブを差し込み、レバー・カムを使用してフィクチャー・ブロックを閉じます。
  - c. チューブがコレットの中でまわらないことを確認します。
  - d. チューブがコレットの中でスライドしないことを確認します。
  - e. チューブがコレットの中で上下左右に動かないことを確認します。
  - f. もう一方のフィクチャー・ブロックについても、同じ手順で溶接物が適切に固定されていることを確認します。

修理が必要なフィクチャー・ブロックの返送先につきましては、スウェーデン指定販売会社までお問い合わせください。

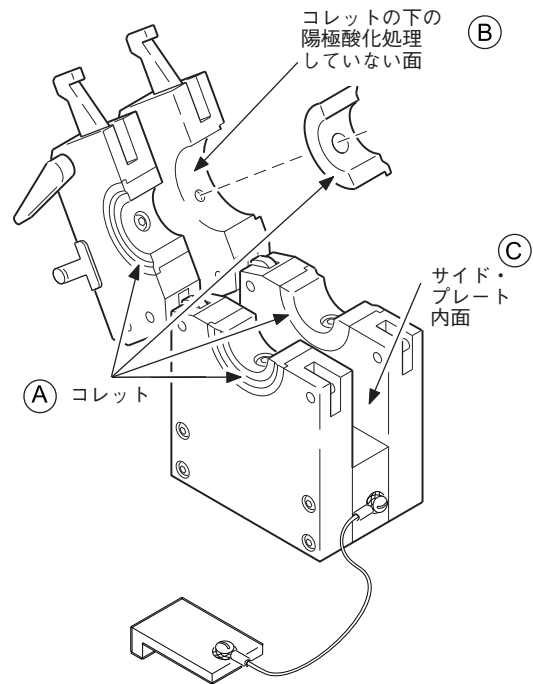


図 21：コレットおよびコレット取り付け面のクリーニングを行う

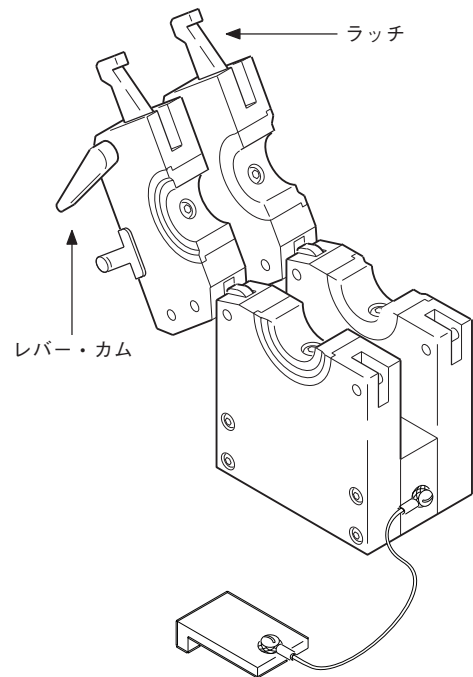


図 22：レバー・カムおよびラッチ

注：

摩耗や損傷が生じている場合、またはフィクチャー・ブロックが溶接物を適切に固定できない場合、そのフィクチャー・ブロックは絶対に使用しないでください。

## ウェルド・ヘッドの毎日のメンテナンス

ウェルド・ヘッドのメンテナンスは、毎日かつ溶接を 700 ～ 900 回行う毎に行ってください。使用状況と磨耗の状態によっては、溶接回数が 700 回以下の場合でもメンテナンスを行ってください。

日常の作業前に以下の作業を行ってください。

1. ウェルド・ヘッドが汚れていないか検査します。特にローター部分を注意してご確認ください。
2. 「ジョグ」を押します。ローターがスムーズに回転するか点検します。「ジョグ」を押してローターの回転を止めます。ローターの回転が安定しない、または機械音が大きい場合は、ウェルド・ヘッドを分解して、ローター、ギア、ブラシのクリーニングを行います。「ウェルド・ヘッドの分解／クリーニング」の項をご参照ください。
3. 「ホーム」を押し、ローターをホーム・ポジションに戻します。

日常の作業後に以下の作業を行ってください。

1. 清潔な柔らかい布およびイソプロピル・アルコールなどの溶剤を使用して、ウェルド・ヘッドから汚れ、カーボン、付着物を取り除きます。
2. ウェルド・ヘッドを清潔で乾燥した場所に保管します。



### 警告！

調節やメンテナンスを行う場合は、必ず事前にワーク・ケーブルおよび電極ケーブルをパワー・サプライから取り外してください。

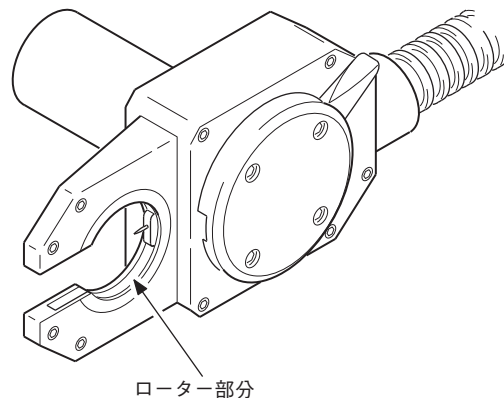


図 23：ウェルド・ヘッドの露出面を検査する



### 注意！

潤滑油はウェルド・ヘッド内部に使用しないでください。



### 注意！

「ジョグ」を押すと、ローターが移動します。ローターに指を挟まないようご注意ください。

## ウェルド・ヘッドの分解／クリーニング

本セクションでは、ウェルド・ヘッドおよびローターの分解方法について説明します。

### ウェルド・ヘッド

以下の手順に従って、ウェルド・ヘッドを分解してください。

1. クリーンで低圧の空気を吹きつけて、ウェルド・ヘッド・アセンブリーからすべてのゴミを取り除きます。
2. ねじ 4 本、ロックリング、ロックリング・プレートを取り外します。図 24 をご参照ください。
3. ワーク・エクステンション・ネジ、ロック・ワッシャー、ワーク・エクステンションを取り外します。ワーク・エクステンションにピット、磨耗、損傷が生じていないか検査します。図 25 をご参照ください。
4. 必要であればワーク・エクステンションを交換します。各部品をご注文の際は、「構成部品の分解図」の項をご参照ください。

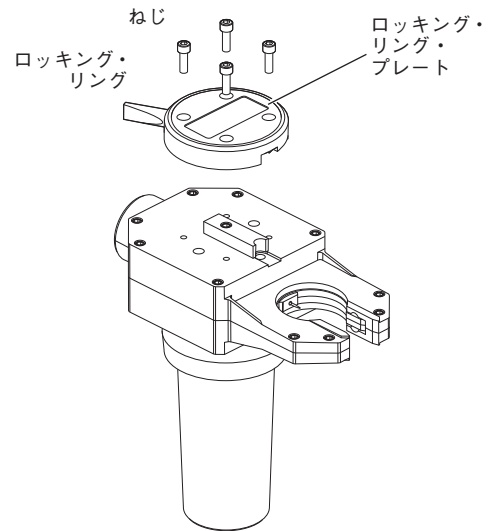


図 24：ロックリングおよびロックリング・プレートを取り外す

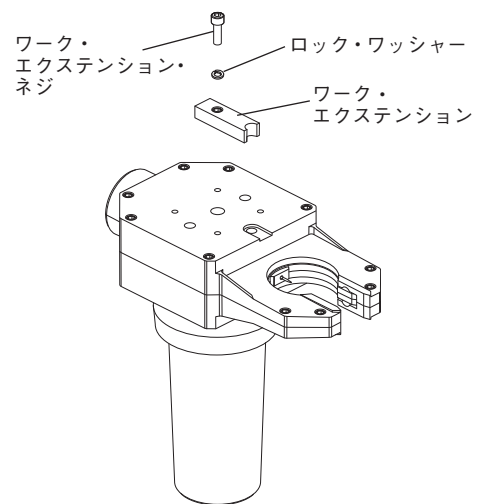


図 25：ワーク・エクステンションを取り外す

5. ハウジングからウェルド・ヘッド・ハウジング・ネジを取り外します。軽く揺り動かすようにして、ワーク側ウェルド・ヘッド・ハウジングをモーター側ハウジングから外します。図 26 をご参照ください。
6. 内部部品が損傷しないよう注意しながらウェルド・ヘッド・ハウジングを外します。
7. ローターをモーター側ウェルド・ヘッド・ハウジングから取り外します。図 27 をご参照ください。
8. パワー・ブロック・サブアセンブリを持ち上げて、モーター側ウェルド・ヘッド・ハウジングから取り外します。図 28 をご参照ください。

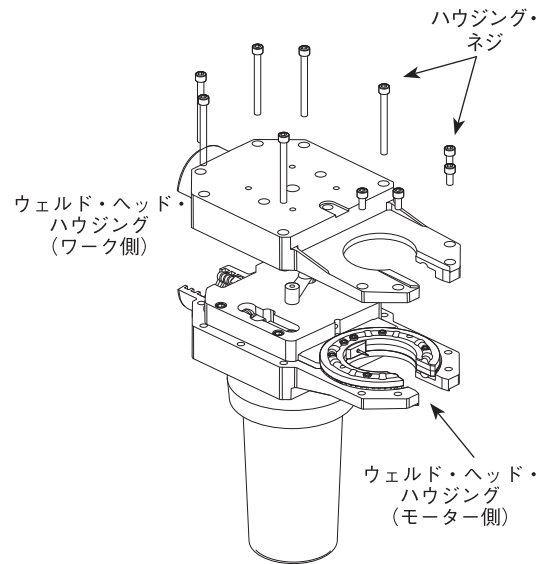


図 26：ワーク側ウェルド・ヘッド・ハウジングを取り外す

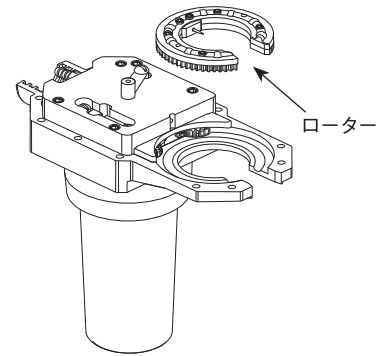


図 27：ローターを取り外す

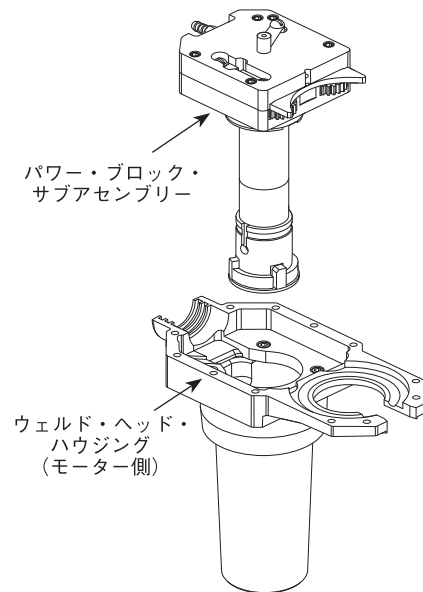


図 28：パワー・ブロック・サブアセンブリを取り外す

## 9. ブラシの検査を行います。図 29 をご参照ください。

以下の手順に従って、ブラシの検査およびクリーニングを行ってください。

- a. ブラシに過度の摩耗がないか点検します。
  - b. ブラシに溝があることを確認します。溝がない場合はブラシを交換します。各部品をご注文の際は、本マニュアルの最後の「**構成部品の分解図**」の項をご参照ください。
  - c. 目の細かい研磨パッドを使用して、ブラシから酸化物を取り除きます。
10. クリーンで低圧のドライ・エアを吹きつけて、パワー・ブロック・アセンブリーからゴミを取り除きます。
11. パワー・ストラップねじが2本とも締め付けられていることを確認します。図 30 をご参照ください。
12. ワーク・プレートねじが締め付けられていること、過度の酸化が生じていないことを確認します。図 31 をご参照ください。必要であれば目の細かい研磨パッドを使用して、ワーク・プレートのクリーニングを行います。
13. ギアに摩耗が生じていないか検査し、損傷している場合は交換します。各部品をご注文の際は、本マニュアルの最後の「**構成部品の分解図**」の項をご参照ください。

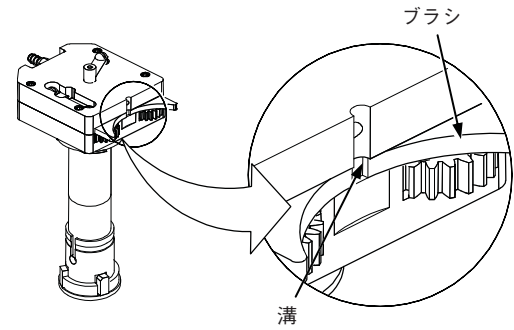


図 29：ブラシの検査を行う

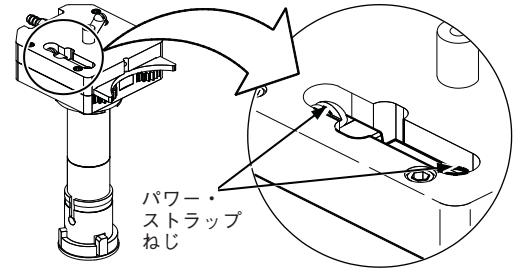


図 30：パワー・ストラップねじの検査を行う

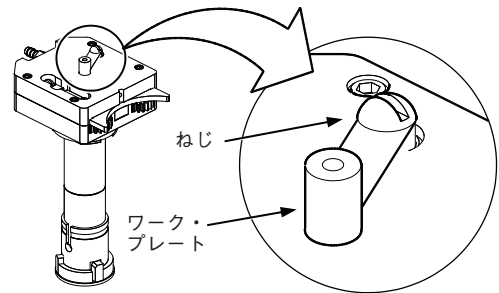


図 31：ワーク・プレートおよびねじの検査を行う

## ローター

以下の手順に従って、ローターを分解してください。

1. ローターねじおよび電極固定プレートねじをローターから取り外します。電極をセラミック・インサートから取り外します。図 32 をご参照ください。
2. 清潔で乾燥した面にローターを置きます。その際、ローター開口部を上向きにします。2本のローター・ピンが確認できる程度にギア・リングをブラシ・リングから離します。図 33 をご参照ください。
3. ギア・リングをブラシ・リングから完全に離します (図 34 参照)。ギア・リングを作業台の上に平らに置きます。
4. ボール・ベアリングをギア・リングおよびブラシ・リングから取り外します。
5. ボール・ベアリングに磨耗や損傷が生じていないか検査します。必要であれば、交換します。
6. ボール・ベアリングが汚れている場合は、イソプロピル・アルコールまたは洗浄剤を使用してクリーニングを行います。ボール・ベアリングを十分に乾燥させます。

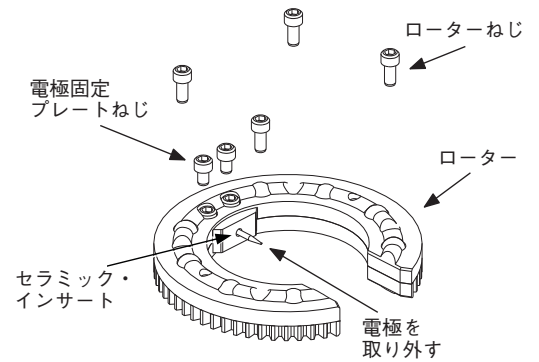


図 32：ローターおよび電極固定プレートねじを取り外す

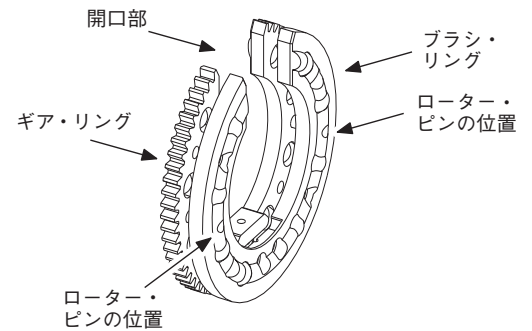


図 33：作業台上にローターを設置する

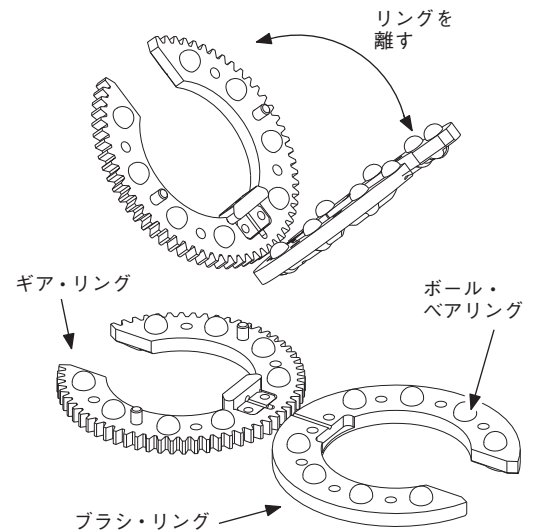


図 34：ギア・リングをブラシ・リングから取り外す

7. セラミック・インサートを取り外します。図 35 をご参照ください。
8. セラミック・インサートの検査を行います。カーボンなどが付着している場合は、目の細かい研磨パッドまたは柔らかいナイロン製ブラシを使用してクリーニングを行います。
9. 電極固定プレートを取り外し、目の細かい研磨パッドを使用してクリーニングを行います。図 36 をご参照ください。
10. ブラシ・リングおよびギア・リングに汚れや付着物がないか検査します。目の細かい研磨パッドまたは柔らかいステンレス鋼製ワイヤー・ブラシを使用して、ギア・リングのクリーニングを行います。
11. 再組み立てを行う前に、クリーンで低圧のドライ・エアーを吹きつけて、すべての部品を乾燥させます。

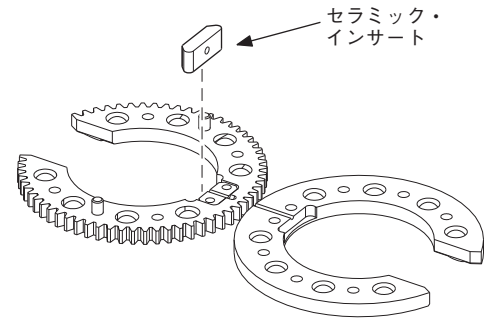


図 35：セラミック・インサートを取り外す

### ウェルド・ヘッドの組み立て

ウェルド・ヘッドおよびローターを組み立てる際は、分解手順と逆の順序で行ってください。

以下の手順に従って、ウェルド・ヘッドを組み立ててください。

1. 「ローター」の項の手順を逆に行います。
2. 「ウェルド・ヘッドの分解／クリーニング」の項の手順を逆に行います。
3. ローターの位置が適切であることを確認します。図 37 をご参照ください。

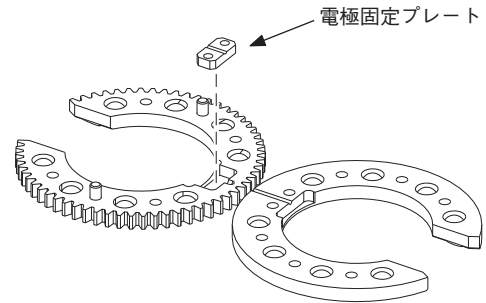
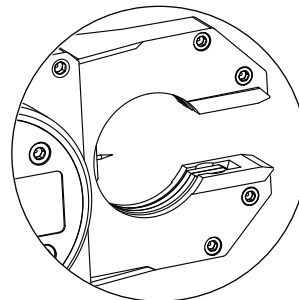


図 36：電極固定プレートを取り外す

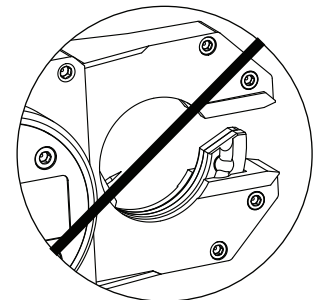


**注意！**

再取り付けの際に、内部の配線を挟み込まないでください。



正



誤

図 37：ローターの位置



## 構成部品の分解図

本セクションでは、分解図および関連部品のリストを記載しています。分解図を参照することで、部品名を容易に確認することができます。各部品のご注文につきましては、スウェーじロック指定販売会社までお問い合わせください。

本セクションでは、以下の製品の部品を記載しています。

- SWS-10H ウェルド・ヘッド
- SWS-10H ローター・アセンブリー
- SWS-10H モーターおよびパワー・ブロック・アセンブリー
- CWS-10TFB チューブ用フィクスチャー・ブロック

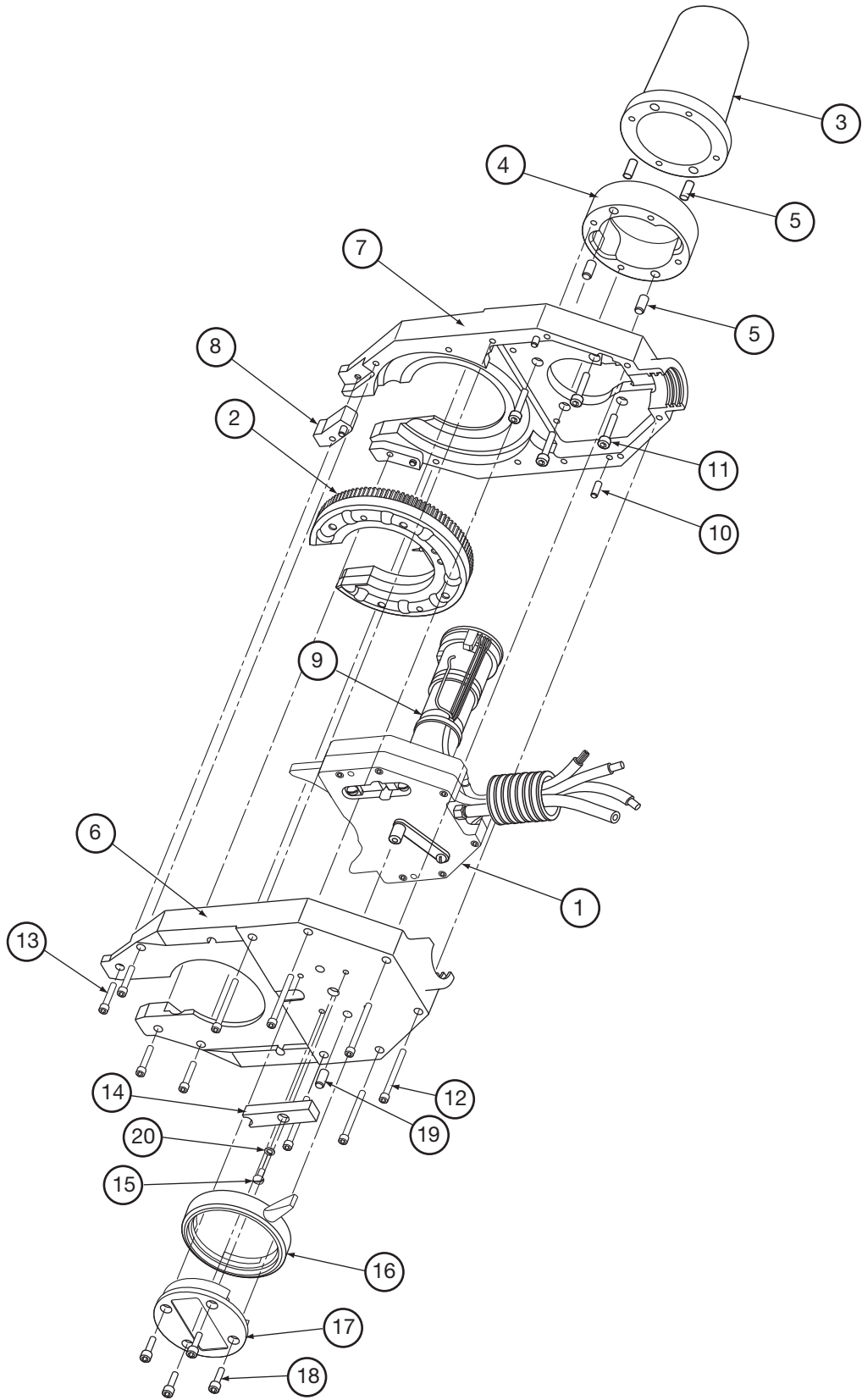


図 38 : SWS-10H ウェルド・ヘッド

表 7 : SWS-10H ウェルド・ヘッド構成部品リスト

参照番号	名称	型番	最小注文数量
1	モーターおよびパワー・ブロック・アセンブリーの分解図をご参照ください	*	*
2	ローター・アセンブリー	11056	1
3	モーター・カバー	SWS-WH-MT-CVR	1
4	ウェルド・ヘッド・モーター・カバー・エクステンション	SWS-WH-MT-CVR-EXT	1
5	ステンレス鋼製ドゥエル・ピン	*	*
6	ハウジング (ワーク側)	SWS-10H-D-WSH	1
7	ハウジング (モーター側)	SWS-10H-D-MSH	1
8	ベアリング・パッド	21107	1
9	モーター・アセンブリー	*	*
10	ステンレス鋼製ドゥエル・ピン	*	*
11	ステンレス鋼製ソケット・ヘッド・キャップ・ネジ (6-32 × 1.000 インチ)	188-SCSA-138-32-1000	10
12	ステンレス鋼製ソケット・ヘッド・キャップ・ネジ (4-40 × 1.250 インチ)	13162	10
13	ステンレス鋼製ソケット・ヘッド・キャップ・ネジ (4-40 × 0.625 インチ)	13160	10
14	ワーク・エクステンション・バー	21093	1
15	ステンレス鋼製ボタン・ヘッド・ネジ (4-40 × 0.250 インチ)	188-21066-RCEU	10
16	ロッキング・リング	21065	1
17	ロッキング・リング・プレート	SWS-WH-LK-RNG-PLT	1
18	プラスチック製ソケット・ヘッド・キャップ・ネジ (6-32 × 0.437 インチ)	13105	10
19	ステンレス鋼製ドゥエル・ピン	*	*
20	スプリット・ロック・ワッシャー	13208	10

各部品のご注文につきましては、スウェーじロック指定販売会社までお問い合わせください。

\* ユーザーよりの現場交換用の予備品としてはご注文いただけません。

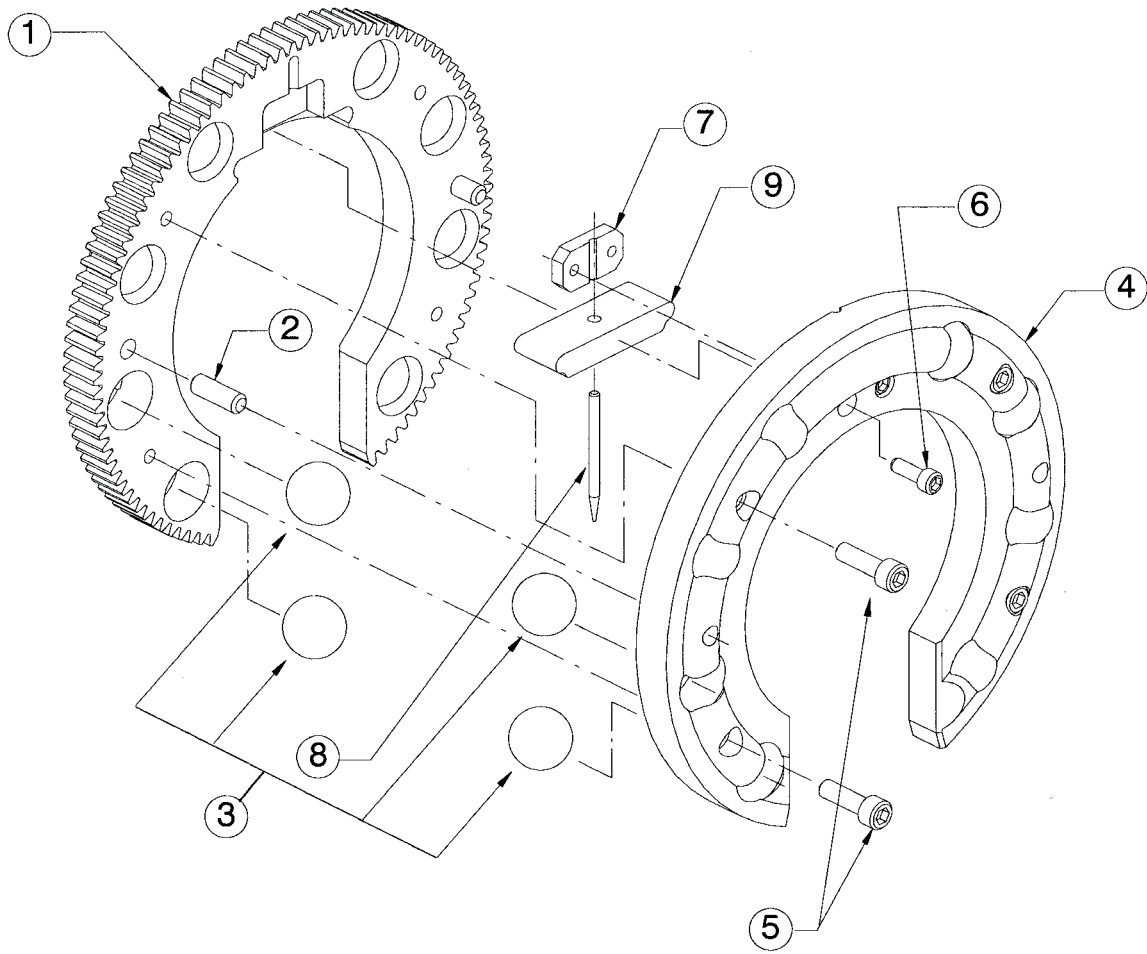


図 39 : SWS-10H ローター・アセンブリー

表 8 : SWS-10H ローター・アセンブリー構成部品リスト

参照番号	名称	型番	最小注文数量
1	ローター・ギア・リング	10008-2	1
2	ドゥエル・ピン	*	*
3	プラスチック製ボール・ベアリング (0.375 インチ)	11154	10
4	ローター・ブラシ・リング	11209-B	1
5	ステンレス鋼製ソケット・ヘッド・キャップ・ネジ (4-40×0.375 インチ)	13114	10
6	ステンレス鋼製ソケット・ヘッド・キャップ・ネジ (2-56×0.250 インチ)	13176	10
7	電極固定プレート	11204	1
8	電極表 (78 ページ) をご参照ください。	—	—
9	セラミック・インサート	11210	1

各部品のご注文につきましては、スウェージロック指定販売会社までお問い合わせください。

\* ユーザーよりの現場交換用の予備品としてはご注文いただけません。

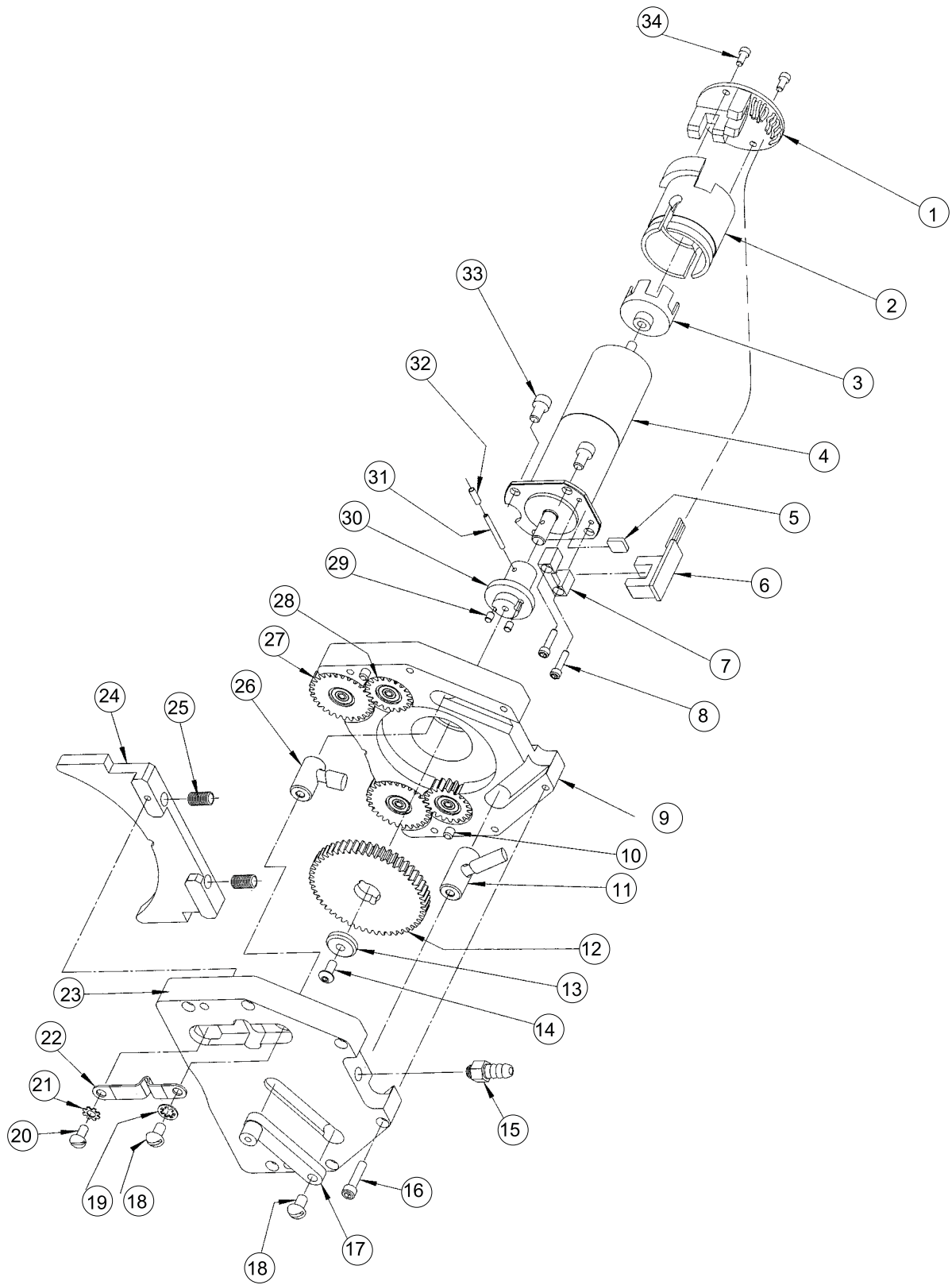


図 40 : SWS-10H モーターおよびパワー・ブロック・アセンブリー

表 9 : SWS-10H モーターおよびパワー・ブロック・アセンブリー構成部品リスト

参照番号	名称	型番	最小注文数量
1	エンコーダー・ボード	10708	1
2	スリーブ・センサー・マウント	*	*
3	エンコーダー・ホイール	*	*
4	モーター	*	*
5	ホーム・センサー・マウント・シム	11126	1
6	ホーム・センサー	10709	1
7	ホーム・センサー・マウント	11125	1
8	ステンレス鋼製ソケット・ヘッド・キャップ・ネジ (2-56×0.375 インチ)	13145	10
9	パワー・ブロック (モーター側)	21156	1
10	ステンレス鋼製ドゥエル・ピン	*	*
11	ワーク・ポスト	*	*
12	ドライブ・ギア	SWS-10H-DR-GR	1
13	リテーナー・ワッシャー	SWS-WH-DR-RET-WSHR	1
14	ステンレス鋼製ボタン・ヘッド・キャップ・ネジ (4-40×0.250 インチ)	13167	10
15	パーズ継手	B-BN4-K62	1
16	ステンレス鋼製ソケット・ヘッド・キャップ・ネジ (4-40×0.500 インチ)	13163	10
17	ワーク・プレート	11054	1
18	ステンレス鋼製丸ねじ (6-32×0.250 インチ)	188-13124-RCEU	10
19	ステンレス鋼製 #6 ロック・ワッシャー	13251	10
20	ステンレス鋼製なべ小ねじ (4-40×0.250 インチ)	188-21066-RCEU	10
21	ステンレス鋼製 #4 外部星型ワッシャー	13171	10
22	パワー・ストラップ	11117	1
23	パワー・ブロック (ワーク側)	21208	1
24	ブラシ	SWS-10H-BRUSH	1
25	ブラシ・スプリング	11157	10
26	パワー・ポスト	*	*
27	ギア・アセンブリー	10009-5	1
28	ギア・アセンブリー	10009-4	1
29	ステンレス鋼製ドゥエル・ピン (0.093×0.125 インチ)	13133	10
30	ドライブ・カブラー	*	*
31	ドライブ・カブラー・ピン	*	*
32	ドライブ・カブラー・ピン・スリーブ	*	*
33	ステンレス鋼製ソケット・ヘッド・キャップ・ネジ (6-32×0.250 インチ)	13174	10
34	ステンレス鋼製ソケット・ヘッド・キャップ・ネジ (2-56×0.187 インチ)	13111	10

各部品のご注文につきましては、スウェーヂロック指定販売会社までお問い合わせください。

\* ユーザーよりの現場交換用の予備品としてはご注文いただけません。

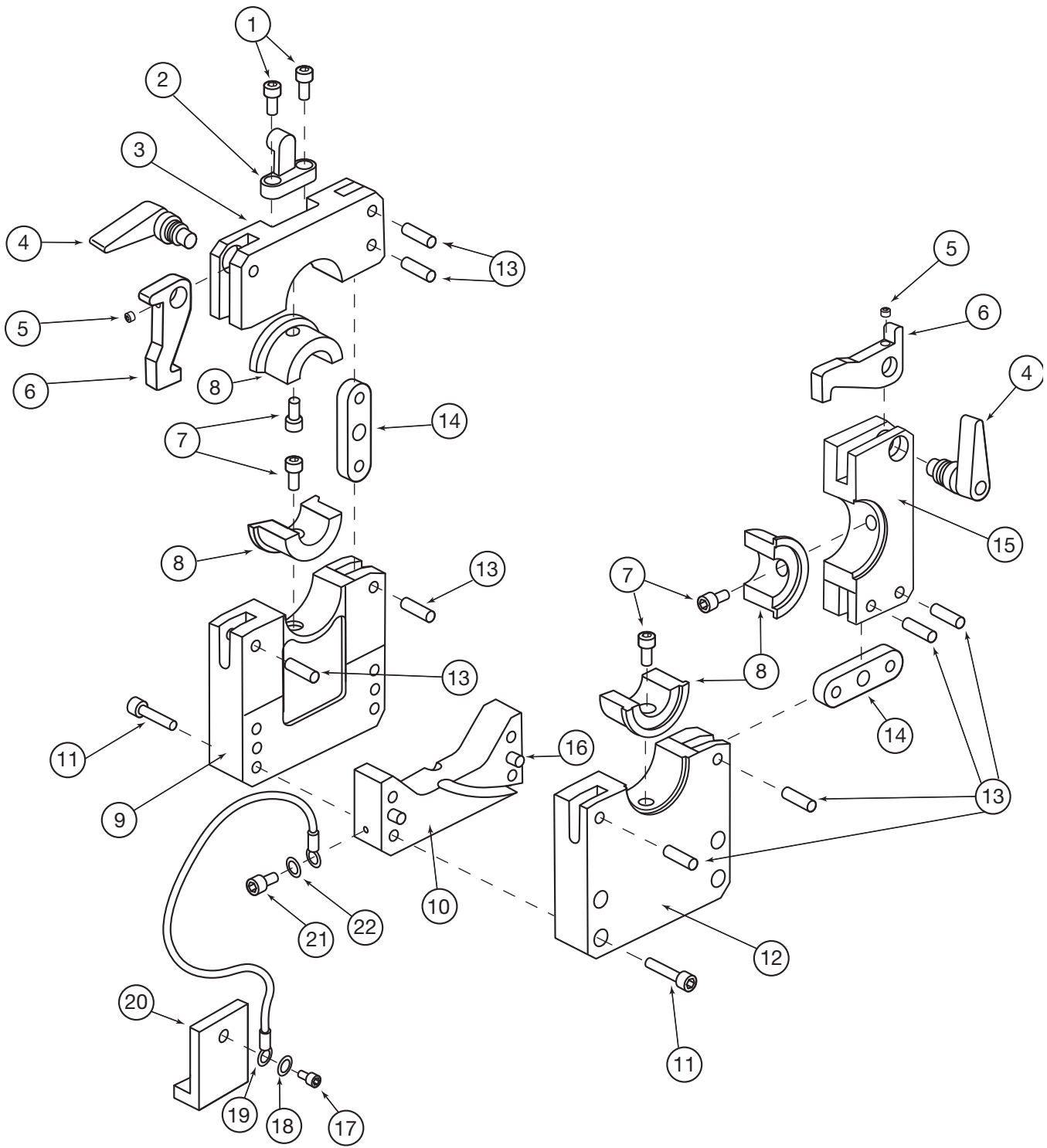


図 41 : CWS-10TFB チューブ用フィクチャー・ブロック



表 10 : CWS-10TFB チューブ用フィクスチャー・ブロック構成部品リスト

参照番号	名称	型番	最小注文数量
1	ステンレス鋼製ソケット・ヘッド・キャップ・ネジ (4-40×0.250 インチ)	13112	10
2	ロック・タブ	12148	1
3	サイド・プレート・アセンブリー (左)	CWS-10TSPL	1
4	レバー・カム・アセンブリー	12130-2	1
5	ステンレス鋼製止めネジ (4-40×0.125 インチ)	12132	10
6	ラッチ	12146	1
7	ステンレス鋼製ソケット・ヘッド・キャップ・ネジ (4-40×0.250 インチ)	13112	10
8	コレットの表をご参照ください [製品カタログ『円周溶接機 (オービタル・ウェルディング・システム) シリーズ 10』 (MS-02-131) に掲載]	—	—
9	サイド・プレート・アセンブリー (左)	CWS-10TSPL	1
10	センター・プレート・アセンブリー	CWS-10PLEN	1
11	ステンレス鋼製ソケット・ヘッド・キャップ・ネジ (10-24×0.625 インチ)	13118	10
12	サイド・プレート・アセンブリー (右)	CWS-10TSPR	1
13	ドゥエル・ピン	*	*
14	ヒンジ	*	*
15	サイド・プレート・アセンブリー (右)	CWS-10TSPR	1
16	ドゥエル・ピン	*	*
17	ステンレス鋼製ソケット・ヘッド・キャップ・ネジ (4-40×0.187 インチ)	13207	10
18	ステンレス鋼製 #4 外部星型ワッシャー	13171	10
19	12 インチ・コード	13231	1
20	センタリング・ゲージ	CWS-10CG	1
21	ステンレス鋼製ソケット・ヘッド・キャップ・ネジ (4-40×0.250 インチ)	13112	10
22	ステンレス鋼製 10 外部星型ワッシャー	13131	10

各部品のご注文につきましては、スウェーじロック指定販売会社までお問い合わせください。

\* ユーザーよりの現場交換用の予備品としてはご注文いただけません。

この日本語版ユーザー・マニュアルは、英語版ユーザー・マニュアルの内容を忠実に反映することを目的に、製作いたしました。日本語版の内容に英語版との相違が生じないよう、細心の注意を払っておりますが、万が一相違が生じてしまった場合には、英語版の内容が優先されますので、ご注意ください。

## 製品保証

Swagelok 製品には、Swagelok リミテッド・ライフタイム保証が付いています。詳細につきましては、[www.swagelok.co.jp](http://www.swagelok.co.jp) にアクセスいただくか、スウェーجزロック指定販売会社までお問い合わせください。

Swagelok

Swagelok—TM Swagelok Company  
© 2001—2013 Swagelok Company  
Printed in U.S.A.  
January 2013, R3  
MS-13-204