

Pressure Gauges

For Panel Builders

PBG Series

- Monitor vacuum and positive system pressures up to 15 000 psi, 1000 bar, or 100 000 kPa
- 2 1/2 in. (63 mm) dial size
- Fits industry-standard 2 9/16 in. (65.0 mm) panel hole cutout
- 316 SS wetted components
- Glycerin-filled case
- Socket restrictor included for pulsation control
- Crimped, tamper-resistant ring provides a permanent seal of gauge case to lens



Technical Data

Dial Ranges

Positive-Pressure Gauges

- 0 to 15 psi through 0 to 15 000 psi
- 0 to 1 bar through 0 to 1000 bar
- 0 to 60 kPa through 0 to 100 000 kPa

Compound Gauges

- Vacuum to 0 psi through vacuum to 200 psi
- Vacuum to 0 bar through vacuum to 9 bar
- Vacuum to 0 kPa through vacuum to 2500 kPa

Accuracy

± 2 % / 1 % / 2 % of span in accordance with ASME B40.100, Grade A

End Connections

- 1/4 in. Swagelok tube adapter
- 1/4 in. male NPT

Operating Temperature

Ambient

–4 to 140°F (–20 to 60°C)

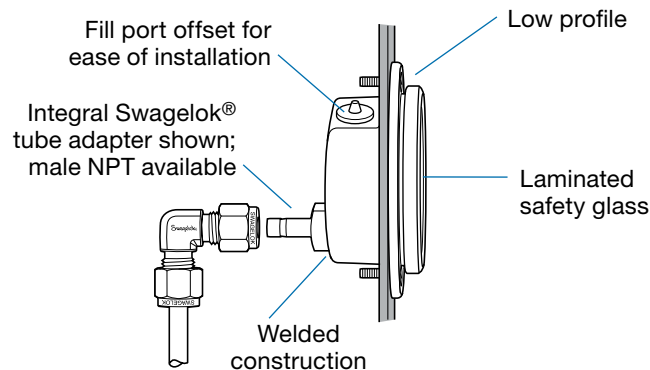
Media

212°F (100°C) maximum

Temperature Error

± 0.4 % for every 18°F (10°C) temperature change from 68°F (20°C)

Panel-Mount Features



Materials of Construction

Component	Material
<i>End connection, Bourdon tube, socket restrictor</i>	316 SS
Case	304 SS
Fill fluid	Glycerin
Movement	Stainless steel
Lens	Laminated safety glass
Lens gasket	Buna N
Dial	Aluminum
Pointer	

Wetted components listed in *italics*.

Testing and Calibration

Every Swagelok PBG series pressure gauge is factory calibrated.

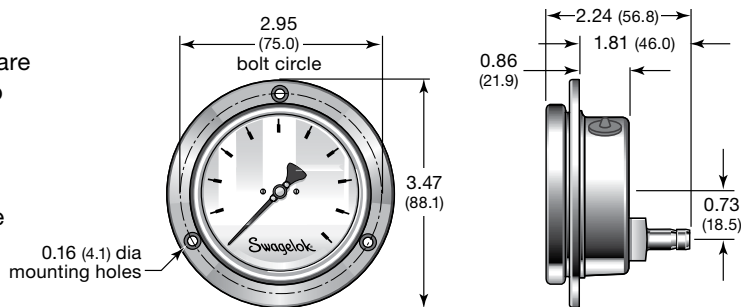
Dial Range Selection

The selected dial range should be approximately two times the system working pressure, and the system working pressure should be in the middle half (25 to 75 %) of the dial range. Contact your authorized Swagelok sales and service representative if the system working pressure will exceed 75 % of the dial range.

Dimensions

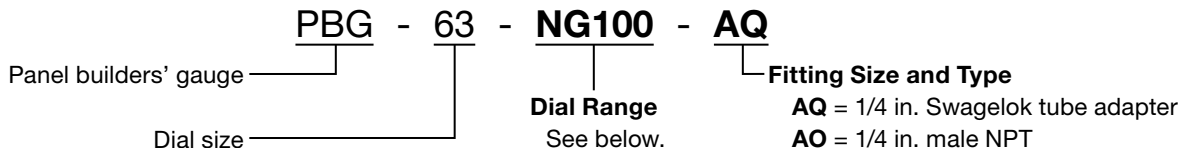
Dimensions, in inches (millimeters), are for reference only and are subject to change.

Swagelok 1/4 in. tube adapter end connection shown; dimensions for 1/4 in. male NPT end connection are identical.



Ordering Information

Build a PBG gauge model ordering number by combining the designators as shown below.



Dial Range, psi		
Minimum	Maximum	Designator
Vacuum -30 in. Hg	0	NC0
	15	NC15
	30	NC30
	60	NC60
	100	NC100
	160	NC160
	200	NC200
0	15	NG15
	30	NG30
	60	NG60
	100	NG100
	160	NG160
	200	NG200
	300	NG300
	400	NG400
	600	NG600
	800	NG800
	1 000	NG1000
	1 500	NG1500
	2 000	NG2000
	3 000	NG3000
	5 000	NG5000
6 000	NG6000	
10 000	NG10K	
15 000	NG15K ^①	

^① Available only with NPT end connections.

Dial Range, bar		
Minimum	Maximum	Designator
Vacuum -1 bar	0	AC0
	0.6	AC.6
	1.5	AC1.5
	3	AC3
	9	AC9
	0	1
1.6		AG1.6
2.5		AG2.5
4		AG4
6		AG6
10		AG10
16		AG16
25		AG25
40		AG40
60		AG60
100		AG100
160		AG160
250		AG250
400		AG400
600	AG600	
1000	AG1000 ^①	

^① Available only with NPT end connections.

Dial Range, kPa		
Minimum	Maximum	Designator
Vacuum -100 KPa	0	JC0
	60	JC60
	150	JC150
	300	JC300
	500	JC500
	900	JC900
	1 500	JC1500
	2 500	JC2500
0	60	JG60
	100	JG100
	160	JG160
	250	JG250
	400	JG400
	600	JG600
	1 000	JG1000
	1 600	JG1600
	2 500	JG2500
	4 000	JG4000
	6 000	JG6000
	10 000	JG10K
16 000	JG16K	
25 000	JG25K	
40 000	JG40K	
60 000	JG60K	
100 000	JG100K ^①	

^① Available only with NPT end connections.

⚠ WARNING
 Do not mix/interchange Swagelok products or components not governed by industrial design standards, including Swagelok tube fitting end connections, with those of other manufacturers.

Introduction

Since 1947, Swagelok has designed, developed, and manufactured high-quality, general-purpose and specialty fluid system products to meet the evolving needs of global industries. Our focus is on understanding our customers' needs, finding timely solutions, and adding value with our products and services.

We are pleased to provide this global edition of the book-bound *Swagelok Product Catalog*, which compiles more than 100 separate product catalogs, technical bulletins, and reference documents into one convenient, easy-to-use volume. Each product catalog is up to date at the time of printing, with its revision number shown on the last page of the individual catalog. Subsequent revisions will supersede the printed version and will be posted on the Swagelok website and in the Swagelok electronic Desktop Technical Reference (eDTR) tool.

For more information, visit your Swagelok website or contact your authorized Swagelok sales and service representative.

Warranty Information

Swagelok products are backed by The Swagelok Limited Lifetime Warranty. For a copy, visit swagelok.com or contact your authorized Swagelok representative.

Safe Product Selection

When selecting a product, the total system design must be considered to ensure safe, trouble-free performance. Function, material compatibility, adequate ratings, proper installation, operation, and maintenance are the responsibilities of the system designer and user.

WARNING

Do not mix/interchange Swagelok products or components not governed by industrial design standards, including Swagelok tube fitting end connections, with those of other manufacturers.

Not all trademarks listed below apply to this catalog.
Swagelok, Cajon, Ferrule-Pak, Goop, Hinging-Colleting, IGC, Kenmac, Micro-Fit, Nupro, Snoop, Sno-Trik, SWAK, VCO, VCR, Ultra-Torr, Whitey—TM Swagelok Company
15-7 PH—TM AK Steel Corp.
AccuTrak, Beacon, Westlock—TM Tyco International Services
Atlas—TM Asahi Glass Co., Ltd.
ASCO, El-O-Matic—TM Emerson
AutoCAD—TM Autodesk, Inc.
CSA—TM Canadian Standards Association
Crastin, DuPont, Kalrez, Krytox, Teflon, Viton—TM E.I. duPont Nemours and Company
DeviceNet—TM ODVA
Dyneon, Elgiloy, TFM—TM Dyneon
Elgiloy—TM Elgiloy Specialty Metals
FM—TM FM Global
Grafoil—TM GrafTech International Holdings, Inc.
Honeywell, MICRO SWITCH—TM Honeywell
MAC—TM MAC Valves
Microsoft, Windows—TM Microsoft Corp.
NACE—TM NACE International
PH 15-7 Mo, 17-7 PH—TM AK Steel Corp
picofast—Hans Turck KG
Pillar—TM Nippon Pillar Packing Company, Ltd.
Raychem—TM Tyco Electronics Corp.
Sandvik, SAF 2507—TM Sandvik AB
Simriz—TM Freudenberg-NOK
SolidWorks—TM SolidWorks Corporation
UL—Underwriters Laboratories Inc.
Xylan—TM Whitford Corporation
© 2021 Swagelok Company