

## Statutory Declaration Registration of Fittings

**(a) Design Qualification**

I<sup>1</sup> Joel Feldman  
Vice President, Engineering  
(Position eg. president, plant manager, chief eng.)

Of Swagelok Company  
(name of company)

Located at Headquarters: 29500 Solon Road, Solon, Ohio 44139 USA (See Attachment A)  
(plant address)

do solemnly declare that the fittings listed hereunder, which are subject to the Boilers & Pressure Vessels Act:

- comply with all the requirements of the ANSI/ASME codes as to their dimensions, material, identification & service for which are required.
- Or
- are not covered by the provisions of the ANSI/ASME codes, and are therefore constructed to comply with \_\_\_\_\_  
\_\_\_\_\_ code and standard, and are designed to the best current engineering practice, as shown by the supporting test data.

**(b) Quality control of Manufacture**

I further declare the manufacture of these fittings is controlled by a quality control program which complies with the requirements of ISO 9001:2015, and has been verified by the following authority or authorized agency BSI

The fittings<sup>2</sup> covered by this declaration, for which I seek registration, are Category A. Fitting

In support of the application, the following information, calculations and/or test data are attached:  
ISO 9001:2015 Certificate, Attachment A, Attachment B, Catalog Information and other Support Documents




Declared before me at Solon

in the of state of ohio

The 3rd Day of october AD 20 19

Bruno Hamel  
A (commissioner for oaths)

Joel C. Feldman  
Signature of Declarer<sup>3</sup>

<b>For Official Use Only</b>	
The application is accepted for registration in Category _____ in accordance with the Boiler and Pressure Vessel Code, Part II, Section VIII, Division 1, Subsection NB, CSA Standard B51.	 <b>Régie du bâtiment Québec</b>  
This registration must be revalidated after ten (10) years from the date of acceptance.	
Registered Number CRN _____	For the Chief Inspector _____
	Date <u>0A22214.56</u> <u>19MARS2020</u>

- 1 **Three completed copies of Statutory Declaration form together with three copies of Catalogs, drawings of Bulletins illustrating above fittings shall be submitted.**
- 2 **All fittings are required to be registered in the name of the Manufacturer.**
- 3 **This form shall be completed and signed by the president of highest official in the manufacturing plant where the fitting is produced.**



**Attachment B. Scope of Registration for Swagelok Alloy C-276  
 (ASTM B564, B574) Tube Fittings (Category A)**

This document represents the scope of Swagelok Alloy C-276 Tube Fittings covered by this submission for CRN approval. These Swagelok Tube Fittings have been evaluated in accordance with ASME B31.3 for unlisted components and ASME B31.1 for unlisted components.

**Summary Table**

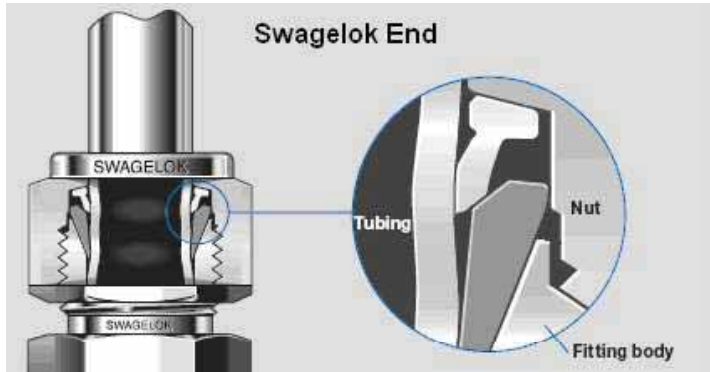
Product Description or Series	Material (Standard)	Port Connections and Sizes	Maximum Allowable Working Pressure		Design Code of Construction
			Up to 100°F	At maximum temperature	
Gaugeable Tube Fittings and Adapter Fittings	Alloy C276 (ASTM B564 / ASTM B574)	Swagelok End Connection 1/4 inch – 1/2 inch 6mm - 12mm	See Table below	See Table below	ASME B31.3 (Unlisted Components)
		NPT Male 1/16 - 1 inch	11 000 – 5300 psig	9020 - 4350 psig @ 1000°F (537°C)	
		NPT Female 1/16 - 1 inch	6700 – 4400 psig	5500 - 3610 psig @ 1000°F (537°C)	

**Alloy C-276 Swagelok Tube Fitting Pressure Rating Table**

Swagelok End Connection Size	Maximum Allowable Working Pressure	
	Up to 100°F	At maximum temperature 1000°F (537°C)
1/4 inch	10 200 psig	7752 psig
3/8 inch	6500 psig	4940 psig
1/2 inch	5100 psig	3876 psig
6mm	670 bar	509 bar
10mm	380 bar	289 bar
12mm	310 bar	235 bar

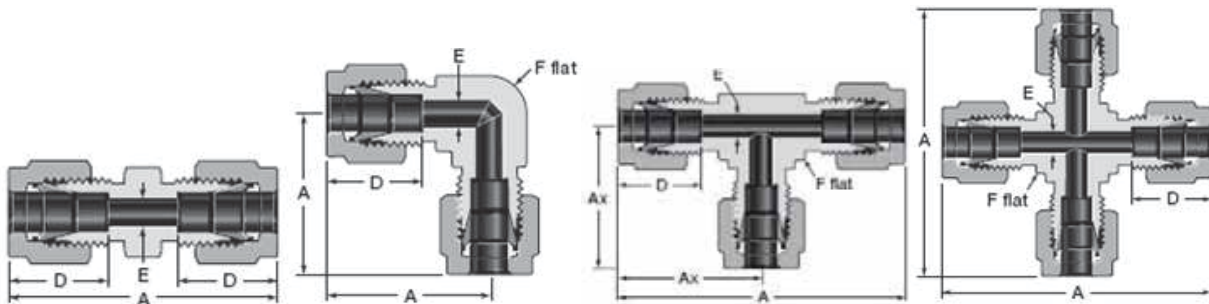
## Product Description

Swagelok Fittings are furnished in a variety of configurations and shapes (straight, elbow, tee or cross). Swagelok Fittings consist of at least one Swagelok End – a proprietary two-ferrule mechanical-grip design. The table below, as well as the “Configurations” section, covers a variety of other end connections.

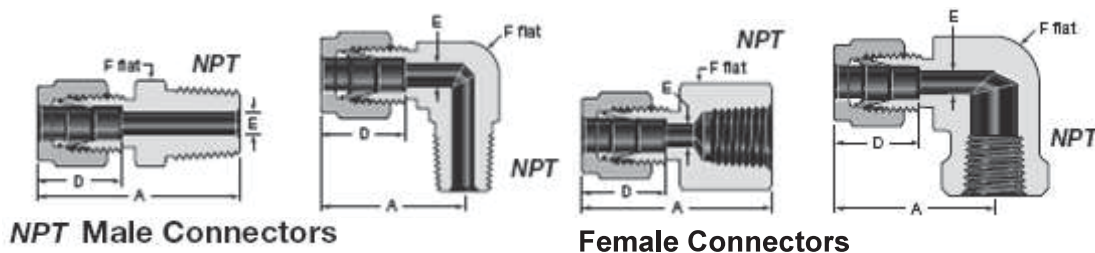


## Configurations

### 1. Unions.



### 2. Male and Female connectors / adapters.



## **Product Options:**

Some of the product options listed below affect the pressure-temperature ratings in the "Scope of Registration" section above, but in all cases the pressure ratings are the same or less than those shown in the Summary Table on page 1.

- Sealant for NPT pipe threads -
  - Curable resin with PTFE
  - PTFE tape
- Bored through fittings
- Plastic ferrules, (Nylon, Teflon, PEEK)

Additional options that do not affect pressure and/or temperature ratings may be made available within the scope of this approval. Examples of these would include the following:

- Special marking
- Special cleaning
- Wire drills
- bulkhead configurations
- Snubbers/frits and orifice plates

All of the above options, those that affect pressure and/or temperature ratings and those that do not, are within the scope of this approval.

## **Quality System**

The Swagelok Company quality system complies with the requirements of ISO 9001:2015. Swagelok Company maintains BSI Certificate of Registration Number FM 01729, which applies to all locations listed on the Certificate.

## **References**

The product catalog does not represent the full scope of the registration but rather details some of the most common options.

- Gaugeable Tube Fittings and Adapter Fittings MS-01-140, Rev Y
- Swagelok Tubing Data Sheet MS-01-107, Rev N



0A22214.56  
19MARS2020

## Attachment A. Swagelok Manufacturing Locations

This document lists the Swagelok locations where end item or component level manufacturing activities take place.

Swagelok Company 29500 Solon Road Solon, Ohio 44139 USA	Swagelok Company (Falon 1) 348 Bishop Road Highland Heights, Ohio 44143 USA
Swagelok Company (Highland) 318 Bishop Road Highland Heights, Ohio 44143 USA	Swagelok Company (Falon 2) 358 Bishop Road Highland Heights, Ohio 44143 USA
Swagelok Company (OFC) 29495 F.A. Lennon Drive Solon, Ohio 44139 USA	Swagelok Company (HPF) 6050 Cochran Road Solon, Ohio 44139 USA
Swagelok Company (Atlantic) 26651 Curtiss Wright Parkway Willoughby Hills, Ohio 44092 USA	Swagelok Company (Snow Metal) 6060 Cochran Road Solon, Ohio 44139 USA
Swagelok Company (Micro) 26653 Curtiss Wright Parkway Willoughby Hills, Ohio 44092 USA	Swagelok Company (Alfred) 29500 Ambina Drive Solon, Ohio 44139
Swagelok Hose Services Company (SHSC) 29900 Solon Industrial Parkway Solon, Ohio 44139	Swagelok Company (Strongsville) 15400 Foltz Road Strongsville, Ohio 44119
Swagelok (China) Fluid System Technologies Ltd. Changshu Export Process Zone Changshu Economic Development Zone Changshu, Jiangshu 215513 China	Swagelok Limited Ballafletcher Road Tromode IM4 4RA Isle of Man

