

UNIFORM STATUTORY DECLARATION FORM FOR THE REGISTRATION OF FITTING DESIGNS

NEW BRUNSWICK
NUNAVUT

NOVA SCOTIA
YUKON

PRINCE EDWARD ISLAND
NORTHWEST TERRITORIES

NEWFOUNDLAND AND LABRADOR

MANUFACTURER'S NAME: <u>Swagelok Company</u> MANUFACTURING ADDRESS: <u>1300 Solon Road, Solon, Ohio 44136-3492</u> (See Attachment A) PLANT LOCATIONS: <u>Headquarters: 1300 Solon Road, Solon, Ohio 44136-3492</u> (See Attachment A) CATEGORY OF FITTINGS: <u>CIRCLE ONE OR MORE ONLY</u> A Pipe fittings (tube fittings), including couplings, tees, elbows, Y's, plugs, unions, pipe caps, or reducers B Flanges: all flanges C Valves: all line valves D Expansion joints, flexible connections, and hose assemblies: all types E Strainers, filters, separators, and steam traps F Measuring devices, including pressure gauges, level gauges, sight glasses, levels, or pressure transmitters G Certified capacity-rated pressure relief devices acceptable as primary over pressure protection on boilers, pressure vessels, piping and fusible plugs H Pressure retaining components that do not fall into one of the above categories N Nuclear components: Class 1 <input type="checkbox"/> Class 2 <input type="checkbox"/> Class 3 <input type="checkbox"/> (Meeting AECB or ASME requirements)		TITLE OF REGISTERED COMPONENT: <u>ASME B31.1 and B31.3 (Unlisted Components) where applicable</u>
SHOW MANUFACTURER'S NAME, TRADEMARK, OR LOGO AS IT WILL APPEAR ON THE PRODUCT <p align="center">Swagelok</p>		TYPE OF FABRICATION: FORGED <input type="checkbox"/> WELDED <input type="checkbox"/> INJECTED <input type="checkbox"/> CAST <input type="checkbox"/> OTHER <input type="checkbox"/> DESCRIBE OTHER:
LIST OF REFERENCES: <u>EN ISO 9001:2008 Quality System Certificate, Support Documents, Catalogue Information, Attachment B.</u>		

DECLARATION:
 I, David H. Peace (see note 3) employed by Swagelok Company and being the person having full authority and responsibility for the quality of the end product do solemnly declare that the information contained in this form is true and to the best of my knowledge represents the product for which registration is sought. The dimensions, materials of construction, pressure temperature ratings, and identification markings are in accordance with the herein named standards. I further declare that the manufacture of these fittings is regulated by a Quality Control Program which extends to each plant where fabrication occurs in whole or in part and has been verified by The British Standards Institution as being suitable for that purpose and I make this solemn declaration conscientiously believing it to be true, and knowing that it is of the same force and effect as if made under oath.

Signature of Declarer: [Signature]

Declared before me at Summit County

This 9th day of July AD 2012

Commissioner of Oaths
 Or Notary Public: (sign) [Signature]
 (affix Official seal to the right)

USE THIS SPACE FOR THE
 OFFICIAL SEAL



This space for Regulatory Authority Use
 This registration must be revalidated after ten (10) years from the date of acceptance

CRN: OC15674.5

FID#: 1214

REGISTRATION ONLY
 CRN: OC15674.57

EXAMINER: [Signature]
 for
 CHIEF BOILER INSPECTOR

DATE: Jan 18/2013

BLRs PVs

FITTINGS COMPONENTS

- Notes:
1. All fittings shall be registered in the name of the Manufacturer.
 2. Each category shall be supported with two Statutory Declaration forms and one copy of supporting documentation.
 3. The declaration shall be made by the person having full authority and responsibility for the quality of the end product.
 4. Quality control programs shall be resubmitted for validation at a maximum interval of five (5) years.

Attachment A. Swagelok Manufacturing Locations

This document lists the Swagelok locations where end item or component level manufacturing activities take place.

Swagelok Company 29500 Solon Road Solon, Ohio 44139 USA	Swagelok Company (Falon 2) 348 Bishop Road Highland Heights, Ohio 44143 USA
Swagelok Company (Highland) 318 Bishop Road Highland Heights, Ohio 44143 USA	Swagelok Company (HPF) 6050 Cochran Road Solon, Ohio 44139 USA
Swagelok Company (OFC) 29495 F.A. Lennon Drive Solon, Ohio 44139 USA	Swagelok Company (Snow Metal) <i>new</i> 6060 Cochran Road Solon, Ohio 44139 USA <i>A399043</i> <i>C911995</i>
Swagelok Company (Atlantic) 26651 Curtiss Wright Parkway Willoughby Hills, Ohio 44092 USA	Swagelok Company A.G. (European Technology Center) St. GallerstraBe 84 Lachen, Switzerland 8853 Switzerland
Swagelok Company (Micro) 26653 Curtiss Wright Parkway Willoughby Hills, Ohio 44092 USA	Swagelok Company (Swagelok Limited) Tromode IM4 4RA United Kingdom
Swagelok Company (Falon 1) 348 Bishop Road Highland Heights, Ohio 44143 USA	

THIS IS PART OF
 CRN OC 15674-5
 Technical Standards & Safety Authority
 Bollore & Pressure Vessels
 Safety Program

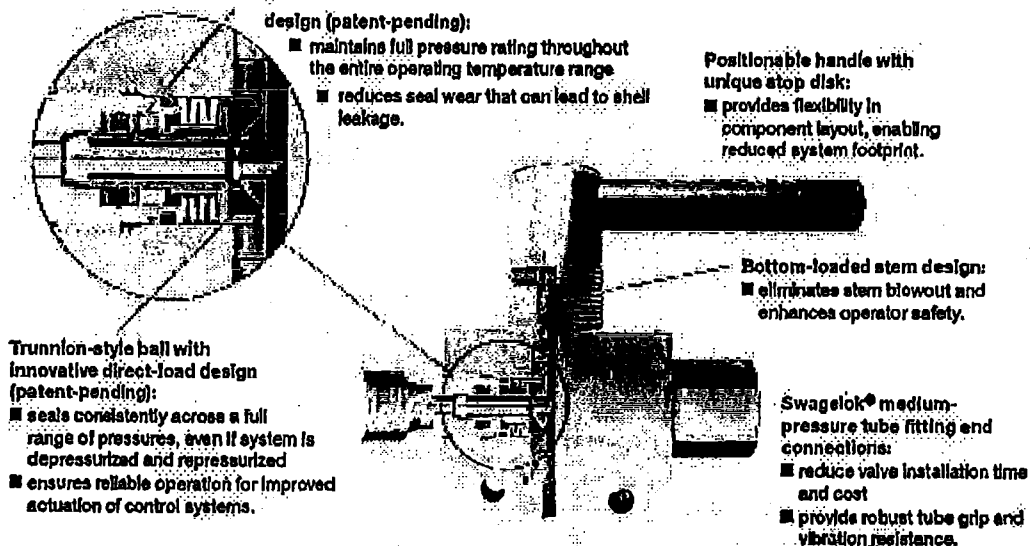
Attachment B. Scope of Registration for Swagelok FKB Series Medium Pressure Ball Valves

This document represents the scope of Medium Pressure Ball Valves, FKB Series covered by this submission for CRN approval. These Medium Pressure Ball Valves, FKB Series have been evaluated in accordance with ASME B31.1 and B31.3 and B31.3 Chapter IX for unlisted components.

Summary Table

Product Description or Series	Material	Port Connections and Sizes	Maximum Allowable Working Pressure (psig)	Maximum Working Temperature (°F)	Design Code of Construction
6FKB (2-way and 3-way)	316 stainless S31600 / ASTM A479	¼, 3/8, and 1/2" Medium Pressure Tube Fitting ¼, 3/8, and 1/2" Female NPT	15 000	250	ASME B31.1, B31.3, (Unlisted Components)
8FKB (2-way and 3-way)	316 stainless S31600 / ASTM A479	1/2" Medium Pressure Tube Fitting 1/2" Female NPT	15 000	250	ASME B31.3, Chapter IX (Unlisted Components)
12FKB (2-way)	316 stainless S31600 / ASTM A479	1/2" Medium Pressure Tube Fitting	15 000	250	ASME B31.3, Chapter IX (Unlisted Components)

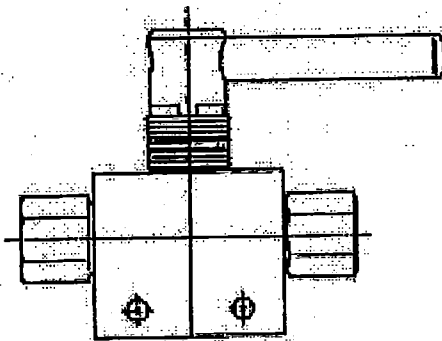
Product Illustration



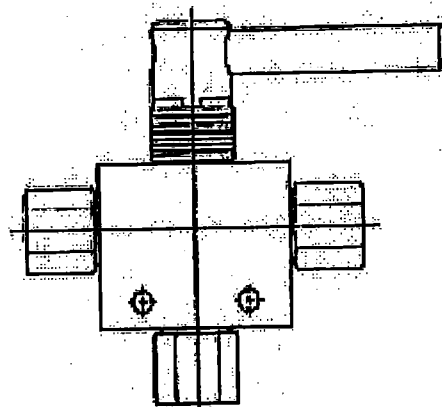
IS PART OF
 OC 156745
 Standards & Safety Authority
 Pressure Vessels
 Form

Configurations

2-Way (On-Off) Valve

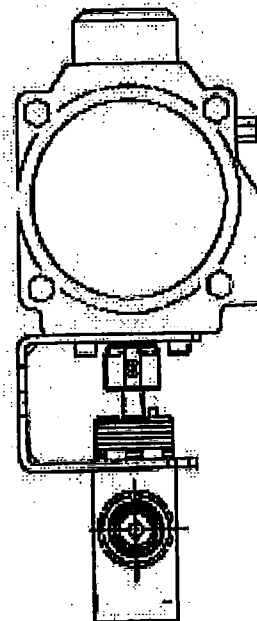
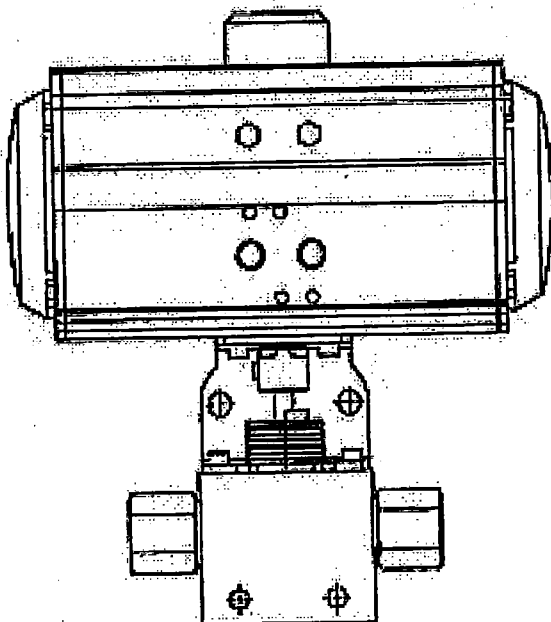


3-Way (Switching) Valve



THIS IS PART OF
COM 0015674-5
partly

Air Actuated



Product Options:

The product options listed below affect pressure and/or temperature ratings shown in the above Summary Table, but in all cases the ratings are less than those shown in the table.

- *O-Ring Material – CR510 20°F – 185°F*

All of the above options, those that affect pressure and/or temperature ratings and those that do not, are within the scope of this approval.

Quality System

The Swagelok Company quality system complies with the requirements of BS EN ISO 9001:2008. The Swagelok Company maintains British Standards Institution Certificate of Registration Number FM 01729, which applies to all locations listed on the Certificate. The FKB Series Medium Pressure Ball Valves are manufactured at a Swagelok Company location in Solon, Ohio.

References

The product catalog does not represent the full scope of the registration but rather details some of the most common options.

- Medium-Pressure Ball Valves, FKB Series Product Catalog MS-02-354-E

