



ASME, DIN, EN JIS

50 mm 2 in.

® (Swagelok®)

特征

- ASME, DIN, EN JIS
- , RTJ -
- 316 20
- 400 , 600 C-276
-
-

端接

- 3 50 mm 1/16 2 in.
- 6 50 mm 1/4 2 in.

法兰连接

- ASME B16.5
 - NPS 1/2 2 in.
 - 150 2500
- DIN 2526 / DIN 2501
 - DN 15 50
 - PN 40 320
- EN 1092-1
 - DN 15 50
 - PN 40 100
- JIS B2220
 - DN 15 50
 - 10 63K
- API, ISO

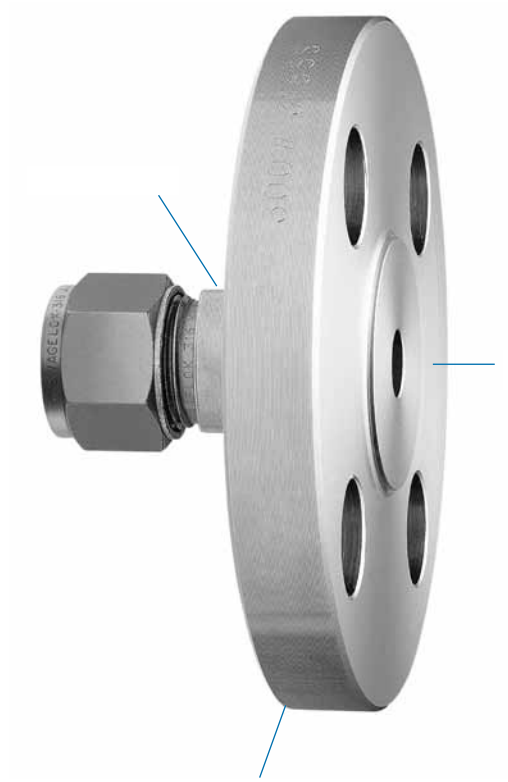
规范符合性

EN, DIN (PN 160) ANSI
 TÜ/TÜV A/AR 278-03
 (PED) TA-LUFT 2002
 PED,

CE

清洁和包装

(SC-10), MS-06-62



法兰材料

材料	ASTM 规范
316 ①	A182
20	B462
400	B564
600	
C-276	

① 1 in. 25 mm
 PFA

232°C (450°F)

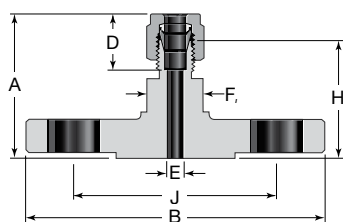
需要

-BM,

SS-25M0-F25M-40-CBM

订购信息与尺寸

ANSI 法兰



卡套管 外径 in.	ANSI 法兰 NPS	等级	订购号	尺寸, in.							
				A	B	D	E	F	H	J	
1/4	1/2	150	SS-400-F8-150	1.61	3.50	0.60	0.19	13/16	1.32	2.38	
3/8	1/2	300	SS-600-F8-300	1.79	3.75	0.66	0.28	13/16	1.50	2.62	
1/2	1/2	150	SS-810-F8-150	1.78	3.50	0.90	0.41	13/16	1.38	2.38	
	1		SS-810-F16-150	1.90	4.25				1.50	3.12	
	2		SS-810-F32-150	2.09	6.00				1.69	4.75	
3/4	1		SS-1210-F16-150	1.98	4.25	0.96	0.62	1 1/4	1.58	3.12	
1	1		SS-1610-F16-150	2.38	4.25	1.23	0.88	1 3/8	1.90	3.12	
1 1/2	2		SS-2400-F32-150	3.40	6.00	1.97	1.34	2 1/8	2.33	4.75	
2	2		SS-3200-F32-150	4.11	6.00	2.66	1.81	2 3/4	2.64	4.75	

压力—温度额定值

ASME B16.5-2003 2-2.2 F2-2.2

各等级的工作压力, psig

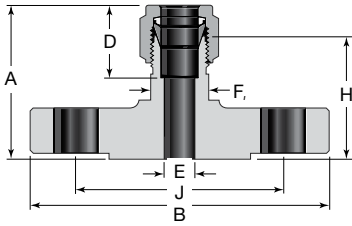
温度 °F	ASME 等级							
	150	300	400	600	900	1500	2500	
-20	100	275	720	960	1440	2160	3600	6000
200	235	620	825	1240	1860	3095	5160	
300	215	560	745	1120	1680	2795	4660	
400	195	515	685	1025	1540	2570	4280	
500	170	480	635	955	1435	2390	3980	
600	140	450	600	900	1355	2255	3760	
650	125	440	590	885	1325	2210	3680	
700	110	435	580	870	1305	2170	3620	
750	95	425	570	855	1280	2135	3560	
800	80	420	565	845	1265	2110	3520	
850	65	420	555	835	1255	2090	3480	
900	50	415	555	830	1245	2075	3460	
950	35	385	515	775	1160	1930	3220	
1000	20	365	485	725	1090	1820	3030	

各等级的工作压力, bar

温度 °C	ASME 等级							
	150	300	400	600	900	1500	2500	
-29	38	19.0	49.6	66.2	99.3	148.9	248.2	413.7
50	18.4	48.1	64.2	96.2	144.3	240.6	400.9	
100	16.2	42.2	56.3	84.4	126.6	211.0	351.6	
150	14.8	38.5	51.3	77.0	115.5	192.5	320.8	
200	13.7	35.7	47.6	71.3	107.0	178.3	297.2	
250	12.1	33.4	44.5	66.8	100.1	166.9	278.1	
300	10.2	31.6	42.2	63.2	94.9	158.1	263.5	
325	9.3	30.9	41.2	61.8	92.7	154.4	257.4	
350	8.4	30.3	40.4	60.7	91.0	151.6	252.7	
375	7.4	29.9	39.8	59.8	89.6	149.4	249.0	
400	6.5	29.4	39.3	58.9	88.3	147.2	245.3	
425	5.5	29.1	38.9	58.3	87.4	145.7	242.9	
450	4.6	28.8	38.5	57.7	86.5	144.2	240.4	
475	3.7	28.7	38.2	57.3	86.0	143.4	238.9	
500	2.8	28.2	37.6	56.5	84.7	140.9	235.0	
538	1.4	25.2	33.4	50.0	75.2	125.5	208.9	

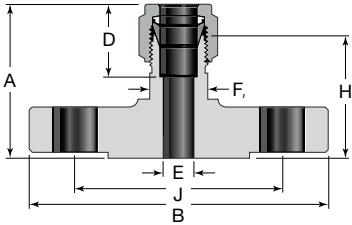
订购信息与尺寸

DIN 法兰, 压力等级 PN 40



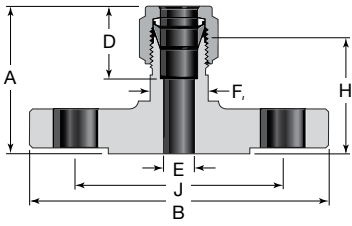
卡套管外径 mm	DIN 法兰尺寸 DN	订购号	尺寸 mm						
			A	B	D	E	F	H	J
6	25	SS-6M0-F25M-40-C	47.5	115	15.3	4.8	20	40.1	85.0
12	15	SS-12M0-F15M-40-C	48.5	95.0	22.8	9.5	20	38.4	65.0
	25	SS-12M0-F25M-40-C	50.5	115				40.4	85.0
	50	SS-12M0-F50M-40-C	55.3	165				45.2	125
18	15	SS-18M0-F15M-40-C	51.8	95.0	24.4	15.1	32	41.7	65.0
	25	SS-18M0-F25M-40-C	53.8	115				43.7	85.0
25	25	SS-25M0-F25M-40-C	64.0	115	31.3	21.8	35	51.8	85.0
38	50	SS-38M0-F50M-40-C	90.4	165	49.4	33.7	55	62.7	125
50	50	SS-50M0-F50M-40-C	103	165	65.0	45.2	70	66.3	125

EN 法兰, 压力等级 PN 40



卡套管外径 mm	EN 法兰尺寸 DN	订购号	尺寸 mm						
			A	B	D	E	F	H	J
6	25	SS-6M0-F25E-40-B1	47.5	115	15.3	4.8	20	40.1	85.0
12	15	SS-12M0-F15E-40-B1	48.5	95.0	22.8	9.5	20	38.4	65.0
	25	SS-12M0-F25E-40-B1	50.5	115				40.4	85.0
	50	SS-12M0-F50E-40-B1	55.3	165				45.2	125
18	15	SS-18M0-F15E-40-B1	51.8	95.0	24.4	15.1	32	41.7	65.0
	25	SS-18M0-F25E-40-B1	53.8	115				43.7	85.0
25	25	SS-25M0-F25E-40-B1	64.0	115	31.3	21.8	35	51.8	85.0
38	50	SS-38M0-F50E-40-B1	90.4	165	49.4	33.7	55	62.7	125
50	50	SS-50M0-F50E-40-B1	103	165	65.0	45.2	70	66.3	125

JIS 法兰, 压力等级 10K



卡套管外径	JIS 法兰尺寸 DN	订购号	尺寸						
			A	B	D	E	F	H	J
尺寸, in.									
1/4	15	SS-400-F15A-10K-RF	1.66	3.74	0.60	0.19	13/16	1.37	2.76
3/8		SS-600-F15A-10K-RF	1.72		0.66	0.28		1.43	
1/2		SS-810-F15A-10K-RF	1.83		0.90	0.41		1.51	
3/4		SS-1210-F15A-10K-RF	1.91		0.96	0.62		1 1/4	
1	25	SS-1610-F25A-10K-RF	2.40	4.92	1.23	0.88	1 3/8	1.92	3.54
2	50	SS-3200-F50A-10K-RF	4.01	6.10	2.66	1.81	2 3/4	2.54	4.72
尺寸, mm									
12	15	SS-12M0-F15A-10K-RF	46.5	95.0	22.8	9.5	20	36.3	70.0
18	15	SS-18M0-F15A-10K-RF	48.5	95.0	24.4	15.1	32	38.4	70.0
25	25	SS-25M0-F25A-10K-RF	61.0	125	31.3	21.8	35	48.8	90.0

SS - 6M0 - F25 M - 40 - C

法兰材料

SS = 316 ^①
 C20 = 20
 M = 400
 INC = 600
 HC = C-276

① 1 in. 25 mm PFA
 232°C (450°F) 需要
 -BM.
 SS-25M0-F25M-40-CBM

端接尺寸

世伟洛克卡套管接头

英制分数

公制

100 = 1/16 in.	3M0 = 3 mm
200 = 1/8 in.	6M0 = 6 mm
400 = 1/4 in.	8M0 = 8 mm
600 = 3/8 in.	10M0 = 10 mm
810 = 1/2 in.	12M0 = 12 mm
1210 = 3/4 in.	18M0 = 18 mm
1610 = 1 in.	20M0 = 20 mm
2400 = 1 1/2 in.	22M0 = 22 mm
3200 = 2 in.	25M0 = 25 mm
	28M0 = 28 mm
	32M0 = 32 mm
	38M0 = 38 mm
	50M0 = 50 mm

世伟洛克卡套管转换接头^①

英制分数

公制

4-TA = 1/4 in.	6-MTA = 6 mm
6-TA = 3/8 in.	8-MTA = 8 mm
8-TA = 1/2 in.	10-MTA = 10 mm
12-TA = 3/4 in.	12-MTA = 12 mm
16-TA = 1 in.	18-MTA = 18 mm
24-TA = 1 1/2 in.	20-MTA = 20 mm
32-TA = 2 in.	22-MTA = 22 mm
	25-MTA = 25 mm
	28-MTA = 28 mm
	32-MTA = 32 mm
	38-MTA = 38 mm
	50-MTA = 50 mm

① 1 in. 25 mm

密封面 (标准配置为凸面)

ANSI ()

DIN

C

D

E

DIN 2526

EN

B1

B2

EN 1092-1

JIS

RF

, RTJ

压力等级

ANSI

150 = 150

300 = 300

600 = 600

900 = 900

1500 = 1500

2500 = 2500

DIN

40 = PN 40

63 = PN 63

100 = PN 100

160 = PN 160

250 = PN 250

320 = PN 320

EN

40 = PN 40

63 = PN 63

100 = PN 100

JIS

10K = 10 kg/cm²16K = 16 kg/cm²20K = 20 kg/cm²30K = 30 kg/cm²40K = 40 kg/cm²63K = 63 kg/cm²

法兰标准

A = JIS

E = EN

M = DIN

= ANSI

公称法兰尺寸

英制分数 (ANSI)

F8 = NPS 1/2 in.

F12 = NPS 3/4 in.

F16 = NPS 1 in.

F24 = NPS 1 1/2 in.

F32 = NPS 2 in.

公制 (DIN, EN, JIS)

F15 = DN 15

F20 = DN 20

F25 = DN 25

F50 = DN 50

选购件

适用于热电偶和汲取管的穿孔法兰转换接头

BT

SS-6M0-F25M-40-CBT

卡套管接头搭接短管



1/2 in.

卡套管 外径	密封表面 粗糙度 (R_a)		订购号
3/8 in.	125	250 $\mu\text{in.}$	SS-600-1-0151
10 mm	(3.2)	(6.4 μm)	SS-10M0-1-0005

注意: 切勿将零件与其它制造厂生产的相混用或互换。

