

# UHP PURGE TREE

## Features and Benefits

- Ensures steady, accurate flow of purge gas
- Compact and durable
- Scalable depending on number of outlet ports required
- Designed for point of use applications

## Materials of Construction

The UHP Purge Tree consists of Swagelok fluid system components. The components mounted on the purge panel include:

- Swagelok weld fittings
- Swagelok VCR fittings
- Swagelok PGU series pressure gauge
- Swagelok KPR series regulator
- Swagelok ELD8 isolation valve
- Swagelok MG series metering valves

## Testing, Cleaning, and Packaging

- Inboard Helium Leak Tested to a rate of  $1 \times 10^{-9}$  std  $\text{cm}^3/\text{s}$
- Cleaned and packaged in accordance with Swagelok *UHP Cleaning and Packaging Specification (SC-10)*, MS-06-62.
- Particle count certificate provided upon request.

For product technical data, including materials of construction, see the following catalogs:

*Swagelok Gaugable Tube Fittings and Adapter Fittings, MS-01-140*

*Swagelok Weld Fittings, MS-01-149*

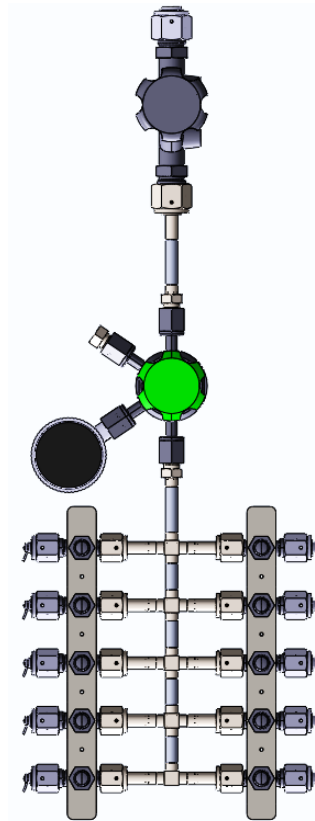
*Swagelok VCR Fittings, MS-01-24*

*Swagelok Pressure Gauges, MS-02-170*

*Swagelok Pressure Regulators, MS-02-230*

*Swagelok Diaphragm Valves, MS-01-165*

*Swagelok UHP Stainless Steel Tubing, MS-01-182*



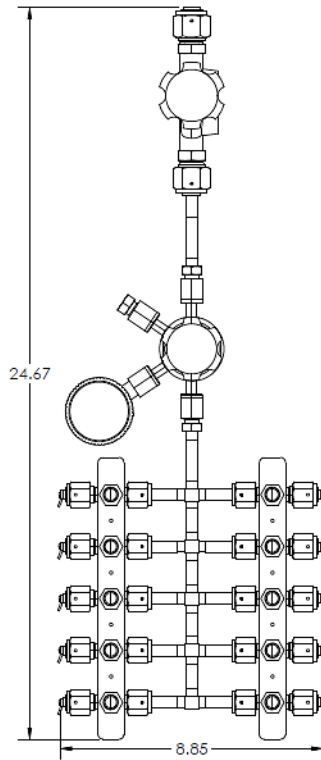
## Pressure-Temperature Ratings

- Max working pressure
  - 300 psig
- Regulator control range
  - 0-250 psig
  - More options available
- Maximum Temperature:
  - 150°F (65°C)

## Additional Products

- UHP Purge Sticks
- UHP Purge Jumpers
- UHP Purge Panel

## Dimensions



Dimensions, in inches, are for reference only and are subject to change.

## Ordering Information

Build UHP Purge Tree ordering number by combining the designators in the sequence shown below.

PT 1 2 3 4 5 6  
PT - G - 8 4 J 10 S

### 1 PRESSURE CONTROL RANGE

E = 0-50 psig  
F = 0-100 psig  
G = 0-250 psig (standard)

### 3 OUTLET SIZE

4 = 1/4" FVCR

### 5 # OUTLETS

6 = Six  
8 = Eight  
10 = Ten

### 2 INLET SIZE

8 = 1/2" MVCR

### 4 REGULATOR MAX INLET PRESSURE

J = 500 psig  
(more options available)

### 6 METERING VALVE HANDLE

M = Micrometer  
S = Standard

#### Safe Product Selection

When selecting a product, the total system design must be considered to ensure safe, trouble-free performance. Function, material compatibility, adequate ratings, proper installation, operation, and maintenance are the responsibilities of the system designer and user.

**Caution: Do not mix or interchange parts with those of other manufacturers.**

## Warranty Information

Swagelok products are backed by The Swagelok Limited Lifetime Warranty. For a copy, visit [swagelok.com](http://swagelok.com).



#### Swagelok Southwest

Phoenix (602) 268-4848  
Albuquerque (505) 842-0213  
[ssw@swagelok.com](mailto:ssw@swagelok.com)