

UHP PURGE STICK

Features and Benefits

- Compact
- Ready for field installation
- Comprised of high-quality Swagelok components
- Assembled and tested in class-100 clean room
- Special configurations available

Materials of Construction

The UHP Purge Stick consists of:

- Swagelok DP or DF Series Valve
- Swagelok VCR fittings
- Swagelok SCF series filter (30 slm)

Testing, Cleaning, and Packaging

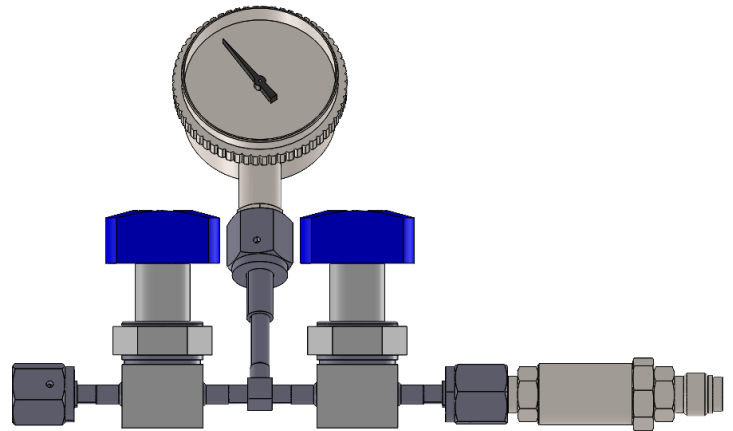
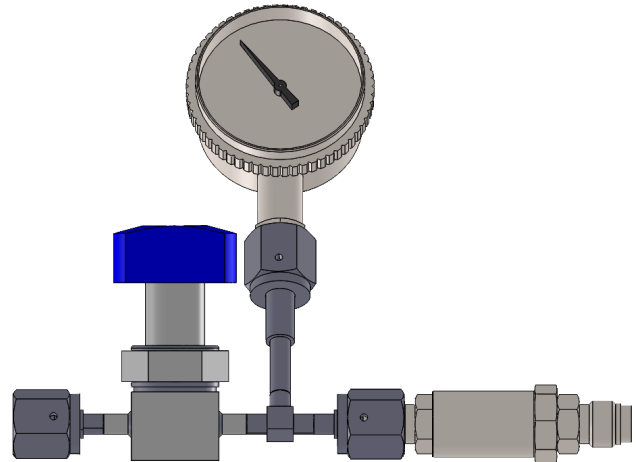
- Inboard Helium Leak Tested to a rate of 1×10^{-9} .
- Cleaned and packaged in accordance with Swagelok *UHP Cleaning and Packaging Specification (SC-01)*, MS-06-62.
- Pre-qualified for particles upon request.

For product technical data, including materials of construction, see the following catalogs:

Swagelok VCR Fittings, MS-01-24

Swagelok Diaphragm Valves, MS-01-165

Swagelok SCF Filters, MS-02-156



Pressure-Temperature Ratings

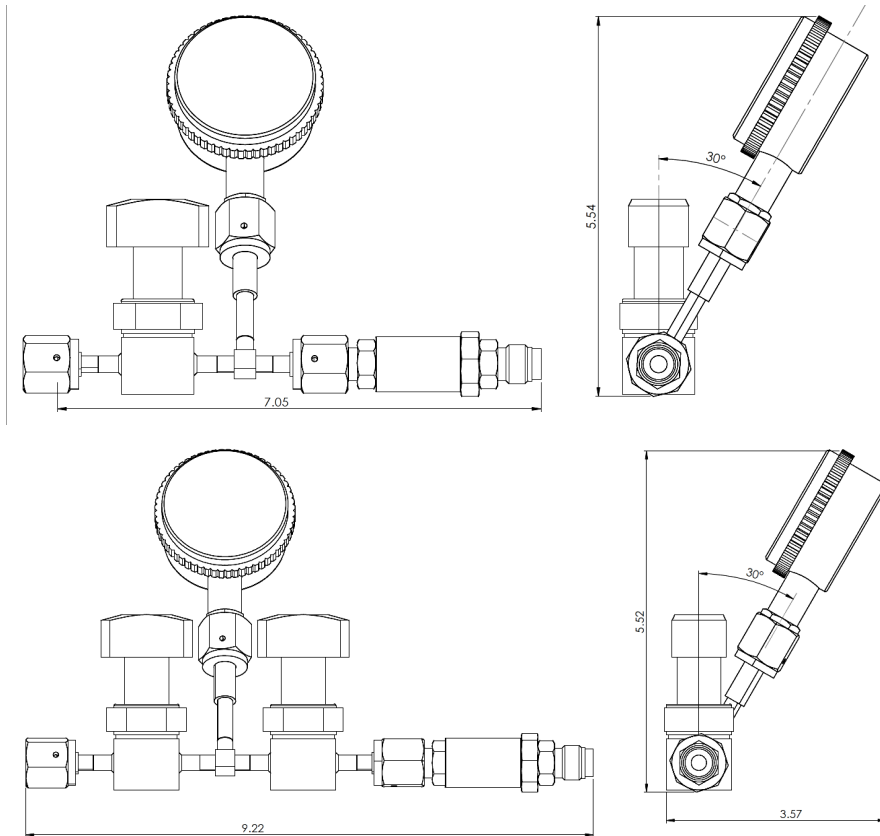
- Pressure Rating
 - Vacuum to 250 psig
- Temperature Rating
 - -10 to 122°F (-23 to 50°C)

Additional Products

- Purge Jumpers
- UHP Purge Kits
- UHP Purge Panel

Swagelok

Dimensions



Dimensions, in inches, are for reference only and are subject to change.

Ordering Information

Build UHP Purge Stick ordering number by combining the designators in the sequence shown below.

PS 1 2 3 4 5
 PS - 1 - F M 4 3

1 # VALVES

- 1 = One
- 2 = Two

2 INLET CONNECTION

F = Female

3 OUTLET CONNECTION

M = Male

4 TUBE OD

4 = 1/4"

5 GAUGE PRESSURE RANGE

- 0 = No gauge
- 1 = 0-100 psig
- 2 = 0-160 psig
- 3 = Vac to 100 psig
- 4 = Vac to 160 psig

Safe Product Selection

When selecting a product, the total system design must be considered to ensure safe, trouble-free performance. Function, material compatibility, adequate ratings, proper installation, operation, and maintenance are the responsibilities of the system designer and user.

Caution: Do not mix or interchange parts with those of other manufacturers.

Warranty Information

Swagelok products are backed by The Swagelok Limited Lifetime Warranty. For a copy, visit swagelok.com.



Swagelok Southwest

Phoenix (602).268-4848
 Albuquerque (505) 842-0213
ssw@swagelok.com