

UHP PURGE PANEL

Features and Benefits

- Ensures steady, accurate flow of purge gas
- Compact and durable
- Designed for point of use applications

Materials of Construction

The UHP Purge Panel consists of Swagelok fluid system components. The components mounted on the purge panel include:

- Swagelok weld fittings
- Swagelok VCR fittings
- Swagelok PGU series pressure gauge
- Swagelok KPR series regulator
- Swagelok ELD8 isolation valve
- Swagelok MG series metering valves

Testing, Cleaning, and Packaging

- Inboard Helium Leak Tested to a rate of 1×10^{-9} std cm^3/s
- Cleaned and packaged in accordance with Swagelok *UHP Cleaning and Packaging Specification (SC-01)*, MS-06-62.
- Particle count certificate provided upon request.

For product technical data, including materials of construction, see the following catalogs:

Swagelok Gaugable Tube Fittings and Adapter Fittings, MS-01-140

Swagelok Weld Fittings, MS-01-149

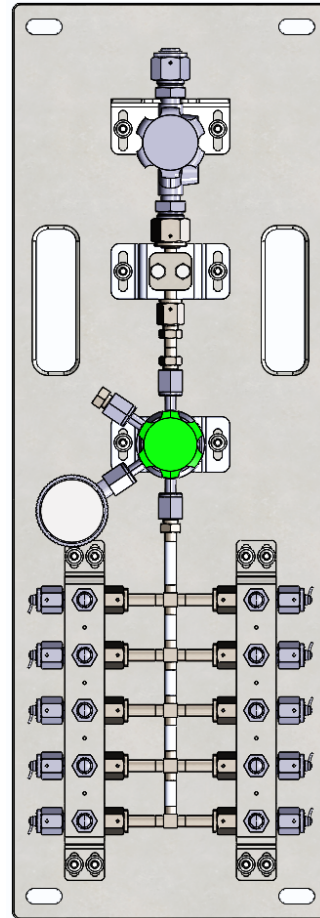
Swagelok VCR Fittings, MS-01-24

Swagelok Pressure Gauges, MS-02-170

Swagelok Pressure Regulators, MS-02-230

Swagelok Diaphragm Valves, MS-01-165

Swagelok UHP Stainless Steel Tubing, MS-01-182



Pressure-Temperature Ratings

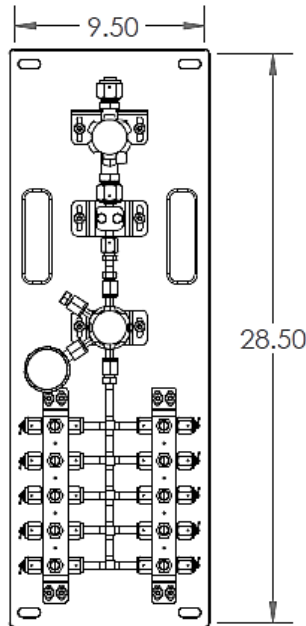
- Max working pressure
 - 300 psig
- Regulator control range
 - 0-250 psig
 - More options available
- Maximum Temperature:
 - 150°F (65°C)

Additional Products

- UHP Purge Sticks
- UHP Purge Jumpers
- UHP Purge Tree

Swagelok

Dimensions



Dimensions, in inches, are for reference only and are subject to change based on configuration.

Ordering Information

Build UHP Purge Panel ordering number by combining the designators in the sequence shown below.

PP
1
2
3
4
5
6
7
 PP - G - 8 4 J 10 S -

1 PRESSURE CONTROL RANGE

E = 0-50 psig
 F = 0-100 psig
 G = 0-250 psig

4 REGULATOR MAX INLET PRESSURE

J = 500 psig
 (More options available)

6 METERING VALVE HANDLE

M = Micrometer
 S = Standard

2 INLET SIZE

8 = 1/2" MVCR

5 # OUTLETS

6 = Six
 8 = Eight
 10 = Ten

7 OPTIONS

PUR = Space to add Purifier
 (Purifier not included)

3 OUTLET SIZE

4 = 1/4" MVCR

Safe Product Selection

When selecting a product, the total system design must be considered to ensure safe, trouble-free performance. Function, material compatibility, adequate ratings, proper installation, operation, and maintenance are the responsibilities of the system designer and user.

Caution: Do not mix or interchange parts with those of other manufacturers.

Warranty Information

Swagelok products are backed by The Swagelok Limited Lifetime Warranty. For a copy, visit swagelok.com.



Swagelok Southwest

Phoenix (602) 268-4848
 Albuquerque (505) 842-0213
ssw@swagelok.com