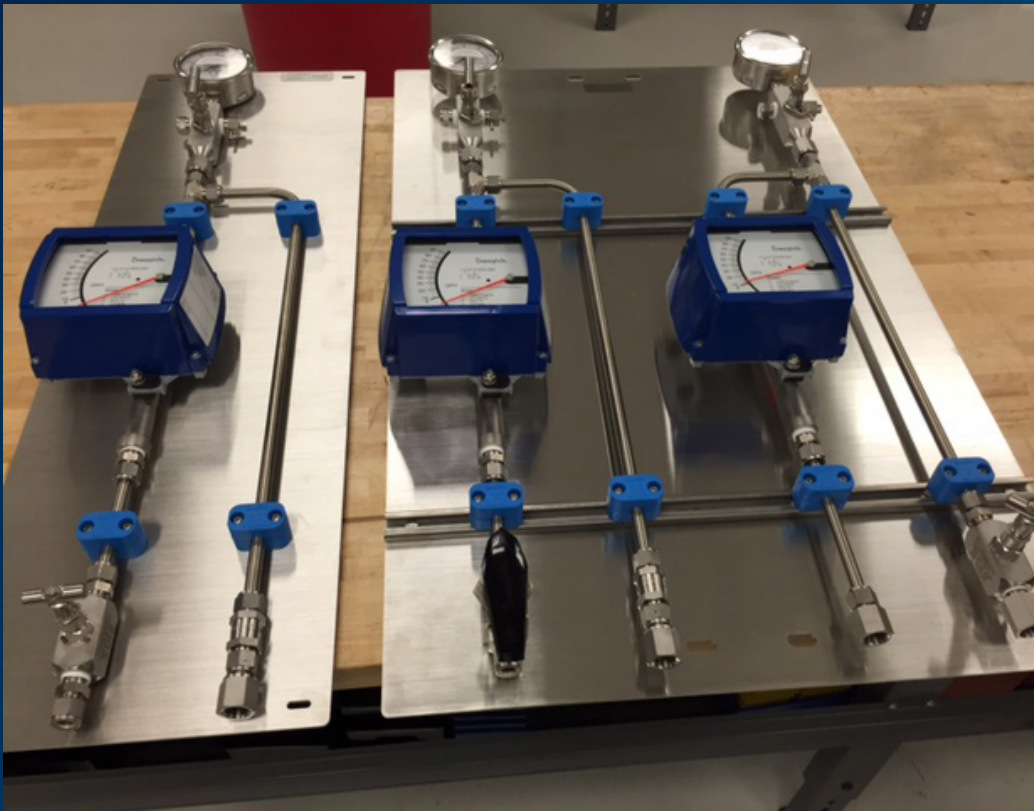


# SWAGelok SEAL SUPPORT SYSTEMS



## For Supporting Mechanical Seal Applications

- Single Seals
- Dual Seals
- Gas Seals
- Seal Carts

# HIGH QUALITY. RELIABILITY. CONSISTENT PERFORMANCE.

## SEAL SUPPORT SYSTEMS

Swagelok Indonesia seal support systems are fully assembled locally to meet the needs of our customers. They are primarily used in mechanical seal applications, configurable for single, dual and gas delivery.

Pump failures are a major cause of unplanned outages for chemical plants and refineries. Mechanical seals account for 39% of pump failures and 44% of the repair costs. Whether you need to upgrade your seal support systems to replace old/failed systems, need to increase reliability and safety, reduce emissions, or for easier maintenance, our systems can offer a reliable and high performance solution to your mechanical seal operations.

### Typical applications include but are not limited to:

- Pumps using mechanical seals as a barrier between the process media and atmosphere
- Compressors that incorporate seals and panels for maintenance and purging systems

### Feature & Benefits:

- Design and construction guided by API 682
- High reliability and quality
- Consistent performance
- Competitive lead times
- Covered by the Swagelok limited lifetime warranty
- Fully customizable

## API 682 MECHANICAL SEAL PIPING PLANS

Swagelok Indonesia has identified 3 major categories of API 682 seal plans that fit our customer needs: Single Seals, Dual Seals and Gas Seals. These categories are shown along with their respective plans. Each plan shows standard and optional auxiliary components referenced in API Standard 682 and is customizable to meet your specific application.

Consult your local Swagelok Indonesia technical advisor or sales engineer to identify the right solution that satisfies your application requirements.

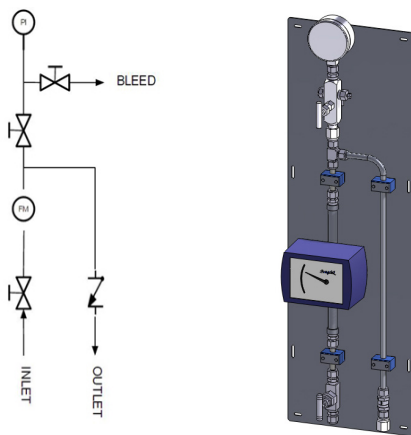
## FABRICATED SERVICES. CUSTOM SOLUTIONS.

Swagelok Indonesia is local and can provide rapid response to your custom seal panel needs. Our trained engineers have extensive experience to assist you with the design to ensure proper application. Panel and system designs can be completely customized or an adaptation of any standard API 682 plan to meet your specific application needs.

- Technical support
- Flexible layouts
- 3D CAD
- Timely delivery

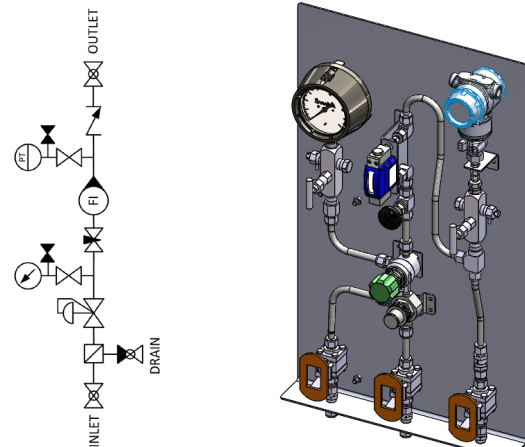
# SELECT OPTIONS THAT FIT YOUR NEEDS AND PROVIDE SOLUTIONS.

## Single Seals - Plans 11, 14, 21, 23, 32, 41



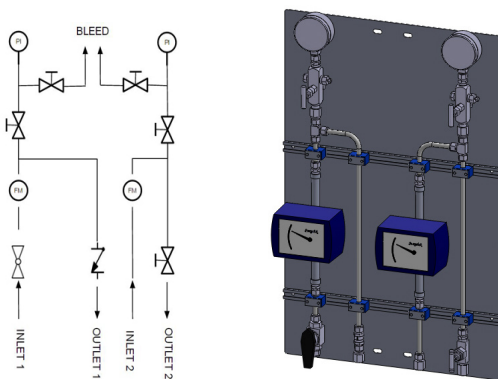
API 682 PLAN 32

## Gas Seals - Plans 72, 74, 75, 76



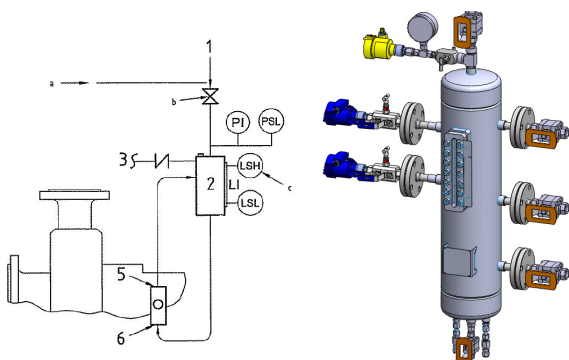
API 682 PLAN 74 - Single

## Dual Seals - Plans 52, 53A, 53B, 53C, 54, 55

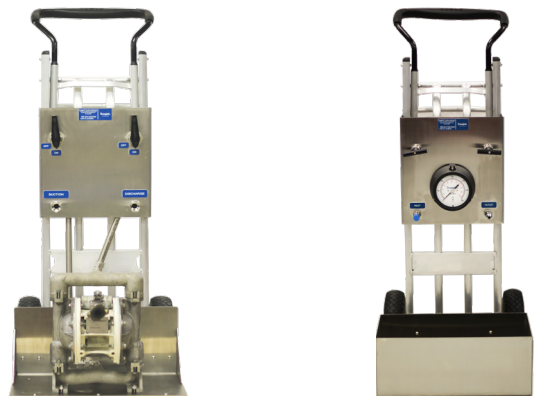


API 682 PLAN 54

## Seal Carts



API 682 PLAN 53A



SWAGELOK INDONESIA

# WE'RE GLOBAL AND LOCAL



Swagelok Indonesia can provide you with a wide variety of service solutions. Our quality, performance and reliability will reduce your costs in designing, sourcing, installing and maintaining fluid system solutions.

Swagelok Indonesia  
PT Putranata Adi Mandiri  
Grand Slipi Tower  
Jl. S. Parman Kav. 22-24 Level 43  
Slipi, Jakarta  
Indonesia 11480  
[info@indonesia.swagelok.com](mailto:info@indonesia.swagelok.com)

Swagelok Indonesia  
Indofluid System Technologies Pte Ltd  
10 Ubi Crescent #05-97  
Ubi Techpark, Lobby E  
Singapore 408564  
[info@indofluid.swagelok.com](mailto:info@indofluid.swagelok.com)

<http://indonesia.swagelok.com>

