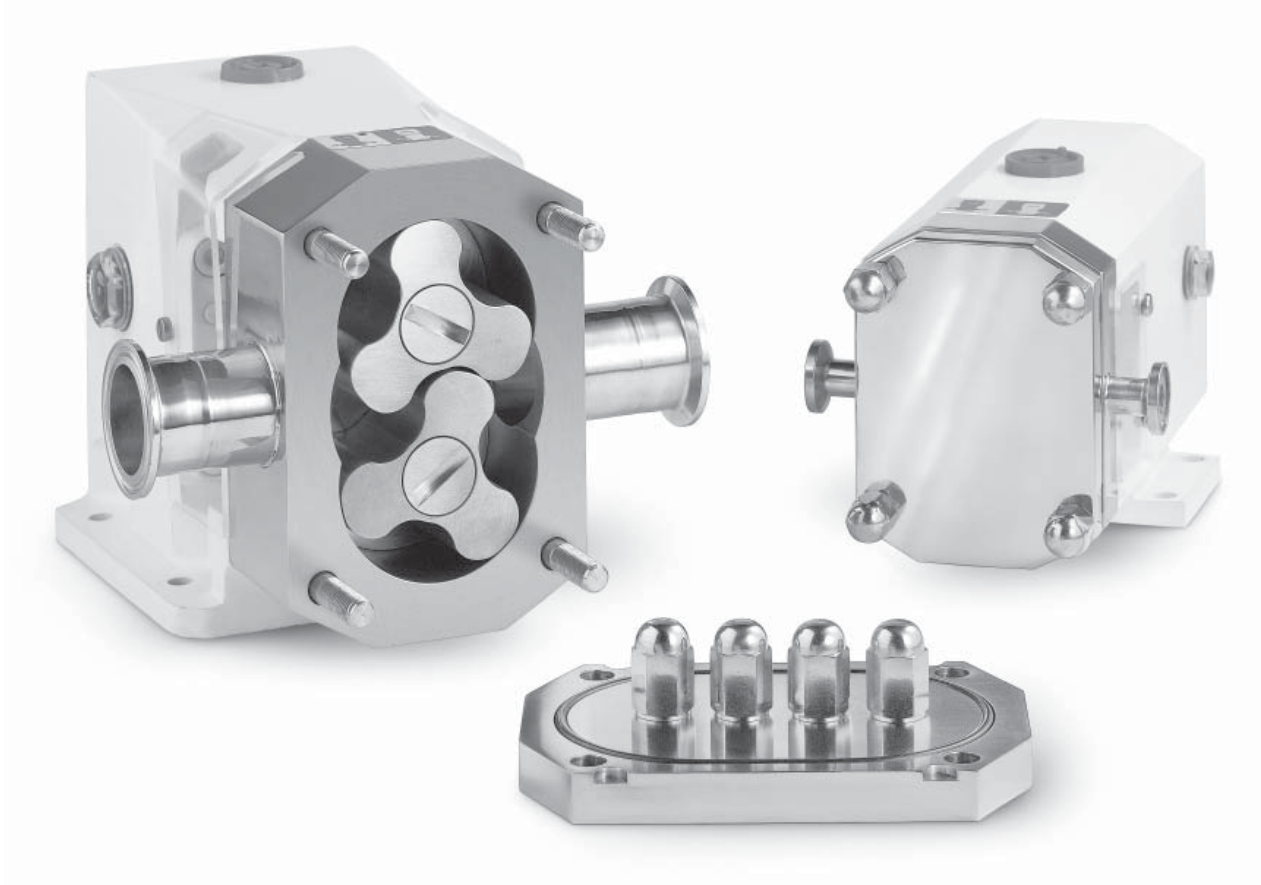


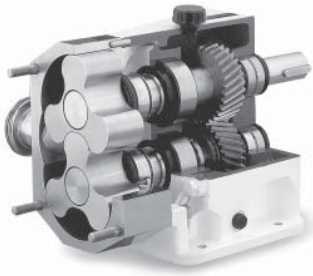
Positive Displacement Pumps

For the Food, Beverage, Dairy, and
Pharmaceutical Industries



- Clean-in-place design with all stainless steel internal components
- 3-A compliant
- Working pressures up to 319 psig (22.0 bar)
- Temperatures up to 230°F (110°C)
- Process liquid viscosities up to 100 000 cP (100 Pa·s)
- Discharge capacities up to 500 U.S. gal/min (1890 L/min)

Features



- 3-A compliant, clean-in-place design can be serviced without removing from system.
- 14 models are available for thin to viscous liquids, including solids in suspension.
- Three-lobe rotor geometry with no friction between rotors for extended service life.
- Sanitary-design rotors with O-rings on rotor screws and shaft sleeves protect shaft splines from process media.
- Compact, rugged construction.
- Oil-bath lubricated gearbox.
- No shimming required for reduced maintenance.
- Horizontal porting with 1/2 to 6 in. Kwik-Clamp connections standard; other end connections available.
- Standard shaft seal is carbon to silicon carbide with EPDM O-rings and reversible seal seat; other seal options are available.
- Relief cover with adjustable spring is available.

Wetted Components Materials of Construction

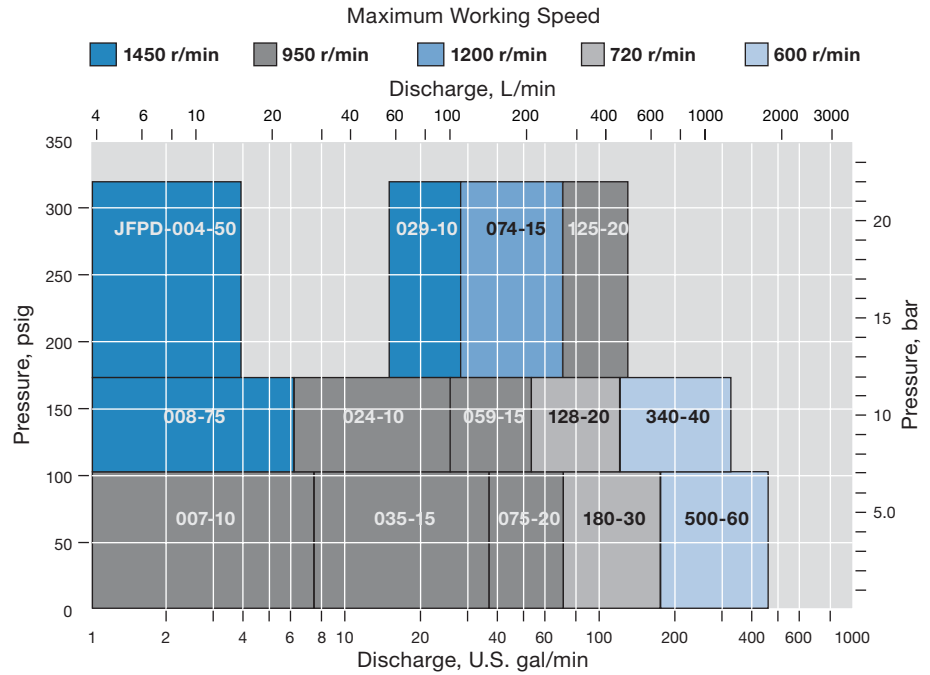
Component	Material
Housing	CF8M
Cover, cover seal, rotors, lobe screw, bypass valve piston, shaft sleeve	316 SS
Seal	Carbon-coated EPDM and silicon carbide-coated EPDM ^①

① Other seal materials and coatings are available. See **Options and Accessories**, page 4.

Temperature Rating

Maximum operating temperature—230°F (110°C)

Discharge at Pressure Ranges



Technical Data

Ordering Number	Nominal Discharge U.S. gal/min (L/min)	Working Pressure psig (bar)	Max Working Speed r/min	Discharge Capacity per 100 r/min U.S. gal (L)	Max Circumferential Velocity ft/s (m/s)	Max Inlet Speed ft/s (m/s)	Weight ^① lb (kg)	Max Drive Shaft Torque ^② ft·lb (N·m)
JFPD-004-50	4 (15)	319 (22.0)	1450	0.27 (1.03)	11.9 (3.63)	10.4 (3.18)	25.4 (11.5)	25.8 (35.0)
JFPD-007-10	7 (26)	101 (7.0)	950	0.79 (3.00)	7.81 (2.38)	3.15 (0.96)	26.5 (12.0)	
JFPD-008-75	8 (30)	174 (12.0)	1450	0.55 (2.10)	11.9 (3.63)	5.77 (1.76)	28.7 (13.0)	
JFPD-024-10	24 (90)		950	2.63 (9.96)	11.3 (3.44)	9.74 (2.97)	25.3 (16.0)	39.1 (53.0)
JFPD-029-10	29 (100)	319 (22.0)	1450	1.96 (7.43)	19.1 (5.83)	11.5 (3.50)	68.3 (31.0)	79.6 (108)
JFPD-035-15	35 (130)	101 (7.0)	950	3.67 (13.9)	11.3 (3.44)	6.40 (1.95)	37.5 (17.0)	39.1 (53.0)
JFPD-059-15	59 (220)	174 (12.0)				10.7 (3.27)	57.3 (26.0)	79.6 (108)
JFPD-074-15	74 (280)	319 (22.0)	1200	6.15 (23.3)	11.3 (3.44)	23.0 (7.00)	154 (70.0)	885 (400)
JFPD-075-20	75 (280)	101 (7.0)	950			7.92 (30.0)	14.3 (4.36)	7.97 (2.43)
JFPD-125-20	125 (470)	319 (22.0)	950	13.2 (50.1)	23.5 (7.15)	13.3 (4.04)	370 (168)	1690 (1200)
JFPD-128-20	128 (480)	174 (12.0)				13.6 (4.14)	134 (61.0)	885 (400)
JFPD-180-30	180 (680)	101 (7.0)	720	25.1 (95.2)	16.3 (4.96)	7.28 (2.22)	143 (65.0)	
JFPD-340-40	340 (1280)	174 (12.0)				9.09 (2.77)	331 (150)	
JFPD-500-60	500 (1890)	101 (7.0)	600	57.3 (217)	17.5 (5.33)	5.97 (1.82)	364 (165)	1690 (1200)
				84.8 (321)				

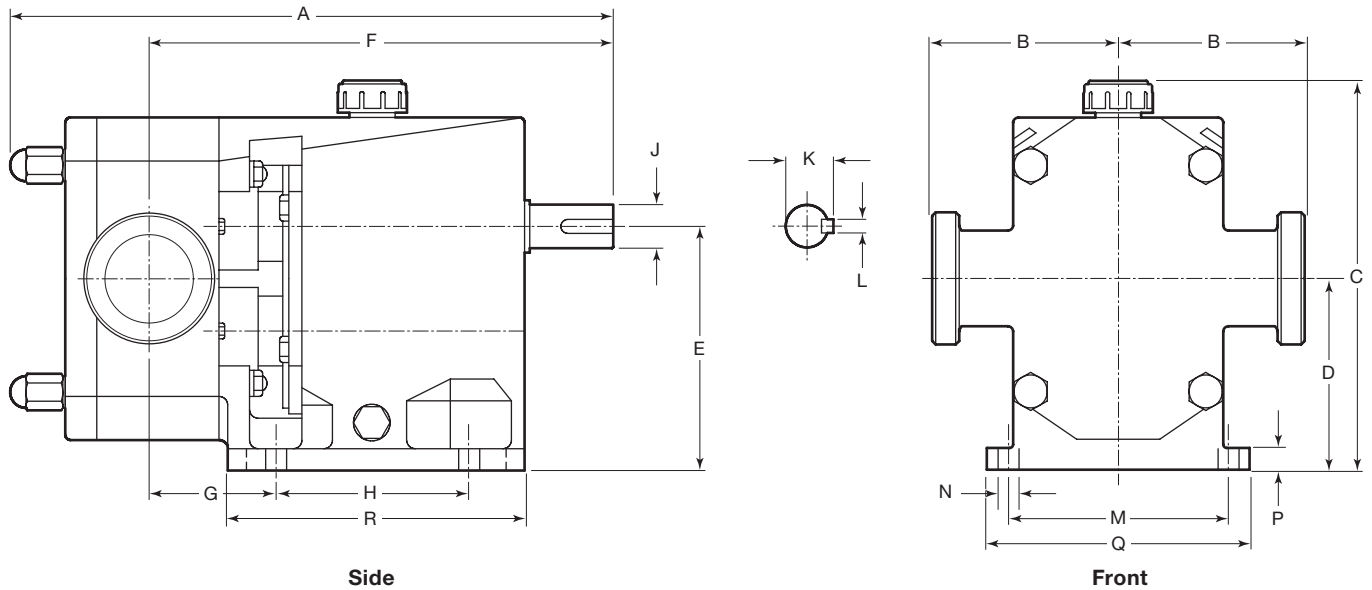
① Pump without motor.

② Motor torque should not exceed drive shaft torque plus 25 %.

Ordering Information and Dimensions

Select an ordering number. Dimensions are for reference only and are subject to change.

Horizontal Port Pumps



Ordering Number	Kwik-Clamp Port Connections	Dimensions, in. (mm)															
		A	B	C	D	E	F	G	H	J	K	L	M	N	P	Q	R
JFPD-004-50	1/2 in.	9.96 (253)	2.76 (70.1)				8.39 (213)	2.40 (61.0)									
JFPD-007-10	1 in.	10.6 (269)	2.84 (72.1)	5.43 (138)	2.36 (60.0)	3.15 (80.0)	8.66 (220)	2.68 (68.0)	1.97 (50.0)	0.55 (14.0)	0.64 (16.2)	0.20 (5.0)	4.02 (102)	0.35 (9.0)	0.35 (9.0)	4.65 (118)	2.56 (65.0)
JFPD-008-75	3/4 in.	10.3 (261)	3.03 (77.0)				8.50 (216)	2.52 (64.0)									
JFPD-024-10	1 in.	11.0 (280)	3.70 (94.0)	7.32 (186)	3.42 (87.1)	4.41 (112)	8.58 (218)	3.35 (85.0)	0.75 (19.0)	0.85 (21.6)	0.24 (6.0)	4.53 (115)			0.39 (10.0)	5.31 (135)	5.71 (145)
JFPD-029-10		13.3 (337)	4.20 (107)	8.82 (224)	4.29 (109)	5.51 (140)	10.5 (267)	3.15 (80.0)	4.13 (105)	0.94 (24.0)	1.06 (27.0)	0.31 (8.0)	4.92 (125)	0.43 (11.0)	0.47 (12.0)	5.91 (150)	6.65 (169)
JFPD-035-15	1 1/2 in.	11.5 (292)	3.90 (99.1)	7.33 (186)	3.42 (87.1)	4.41 (112)	8.82 (224)	2.76 (70.0)	3.35 (85.0)	0.75 (19.0)	0.85 (21.6)	0.24 (6.0)	4.53 (115)	0.35 (9.0)	0.39 (10.0)	5.31 (135)	5.71 (145)
JFPD-059-15		13.3 (337)	4.20 (107)	8.82 (224)	4.29 (109)	5.51 (140)	10.3 (261)	2.91 (74.0)	4.13 (105)	0.94 (24.0)	1.06 (27.0)	0.31 (8.0)	4.92 (125)	0.43 (11.0)	0.47 (12.0)	5.91 (150)	6.65 (169)
JFPD-074-15		16.9 (430)	5.26 (134)	11.4 (289)	5.67 (144)	7.48 (190)	13.9 (354)	3.82 (97.0)	5.12 (130)	1.50 (38.0)	1.63 (41.4)	0.39 (10.0)	6.69 (170)	0.51 (13.0)	0.55 (14.0)	8.27 (210)	8.43 (214)
JFPD-075-20	2 in.	13.7 (351)	4.20 (107)	8.82 (224)	4.29 (109)	5.51 (140)	10.5 (267)	3.15 (80.0)	4.13 (105)	0.94 (24.0)	1.06 (27.0)	0.31 (8.0)	4.92 (125)	0.43 (11.0)	0.47 (12.0)	5.91 (150)	6.65 (169)
JFPD-125-20		24.7 (627)	6.36 (162)	14.4 (366)	7.09 (180)	9.45 (240)	20.9 (530)	4.61 (117)	11.0 (280)	2.17 (55.0)	2.32 (58.9)	0.63 (16.0)	10.2 (260)	0.71 (18.0)	0.59 (15.0)	11.4 (290)	12.6 (320)
JFPD-128-20		16.9 (430)	5.28 (134)	11.4 (289)	5.67 (144)	7.48 (190)	13.7 (348)	3.58 (91.0)	5.12 (130)	1.50 (38.0)	1.63 (41.4)	0.39 (10.0)	6.69 (170)	0.51 (13.0)	0.55 (14.0)	8.27 (210)	8.43 (214)
JFPD-180-30	3 in.	17.8 (452)					14.2 (360)	3.98 (101)									
JFPD-340-40	4 in.	24.7 (627)	6.36 (162)	14.4 (366)	7.09 (180)	9.45 (240)	19.9 (505)	3.62 (92.0)	11.0 (280)	2.17 (55.0)	2.32 (58.9)	0.63 (16.0)	10.2 (260)	0.71 (18.0)	0.59 (15.0)	11.4 (290)	12.6 (320)
JFPD-500-60	6 in.	26.7 (678)	6.62 (168)				20.9 (530)	4.61 (117)									

Options and Accessories

Contact your authorized Swagelok® sales and service representative for information about:

- Positive displacement pumps with vertical ports for enhanced drainability
- Shaft-seal options for process media compatibility
 - Carbon to silicon carbide
 - Silicon carbide to silicon carbide
 - Tungsten carbide to silicon carbide
 - PTFE single- and double-lip seals
 - Single-lip seals with water flush to help maintain seal life by flushing away media
 - EPDM or fluorocarbon FKM O-ring seals
 - PTFE gland packing
 - Double mechanical seals (high-pressure pumps only) for vacuum applications
- Rotor options
 - Wing-tip rotors for reduced damage when pumping large, soft particles
 - Nongalling alloy 88 rotors to allow tighter-tolerance operation

- Motors
 - TEFC (totally enclosed fan-cooled) motors and washdown options for motor protection
 - Variable frequency drives for speed and flow adjustment
 - Transmission kits containing pre-timed pump gears and shaft for easy pump timing maintenance
- Additional accessories
 - Relief covers to protect against overpressure
 - Heating jackets for products that require constant temperature
 - Stainless steel base plates for mounting pump and motor
 - Rectangular flanged inlets to allow mounting to hoppers and tanks
 - Couplings and stainless steel guards to connect motor to pump and provide protection

Safe Product Selection

When selecting a product, the total system design must be considered to ensure safe, trouble-free performance. Function, material compatibility, adequate ratings, proper installation, operation, and maintenance are the responsibilities of the system designer and user.

Caution: Do not mix or interchange parts with those of other manufacturers.

Warranty Information

Swagelok products are backed by The Swagelok Limited Lifetime Warranty. For a copy, visit swagelok.com or contact your authorized Swagelok representative.