

# Special Fabrications

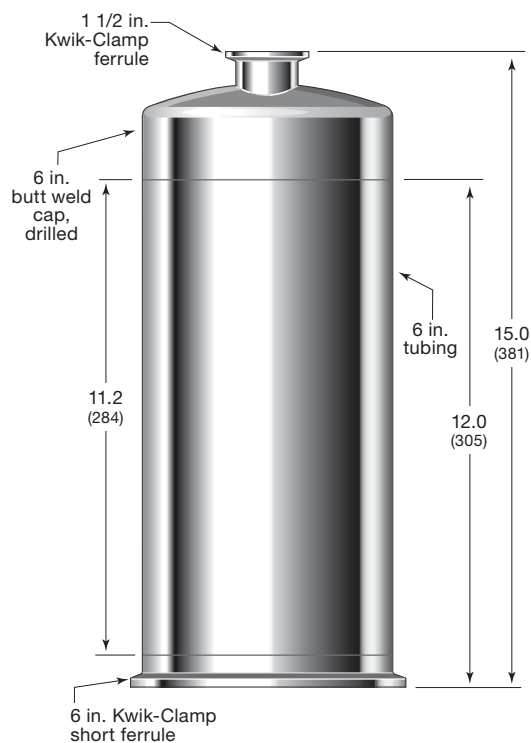
## For the Biopharmaceutical and Sanitary Industries

### Features

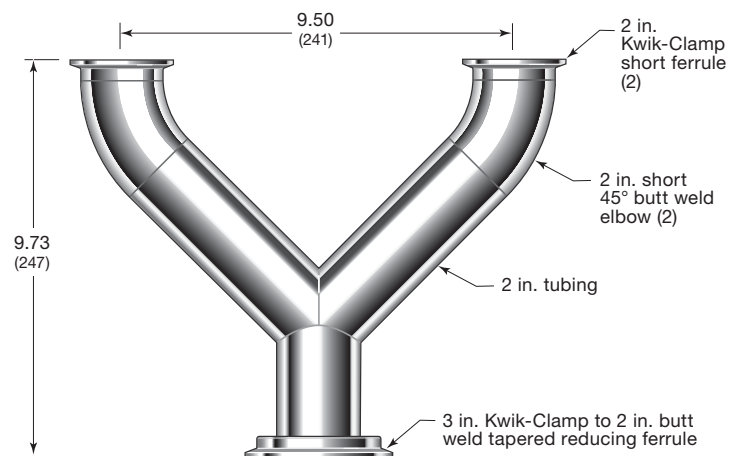
- Standard and custom fabrications to meet ASME-BPE and 3-A requirements
- Available with a variety of sanitary end connections in 1/2 to 6 in. sizes:
  - Kwik-Clamp sanitary clamp
  - Swagelok® TS sanitary clamp
  - automatic tube weld
  - ACME threaded
  - NPT
- Available in 316L and 304 stainless steel
- Industry-leading turnaround in configuration, manufacture, and delivery of custom fabrications, with same-day service for most CAD drawings
- All welds are performed by ASME Section IX certified welders and are 100 % visually inspected.

### Sample Special Fabrications

#### 6 to 1 1/2 in. Kwik-Clamp Tube Section

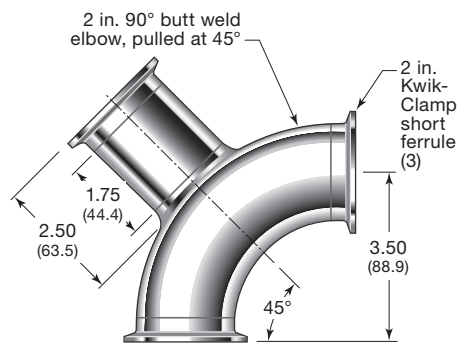


#### 3 to 2 in. Kwik-Clamp Reducing True Y

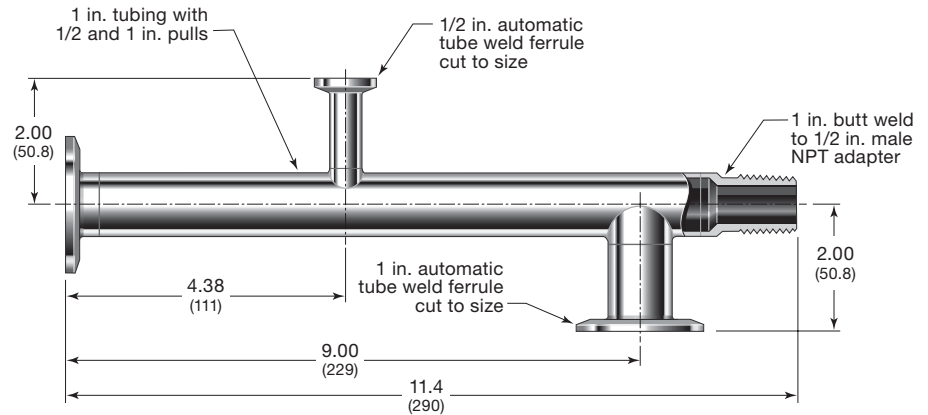


## Sample Special Fabrications

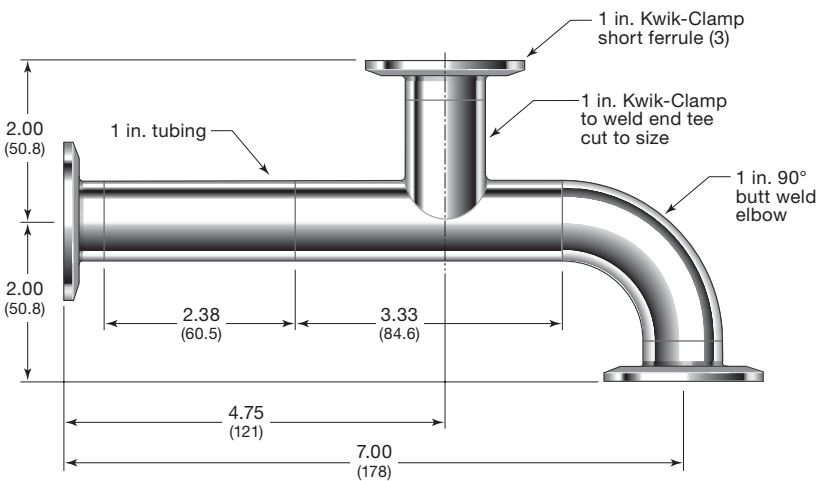
### 2 in. Kwik-Clamp Inspection Elbow



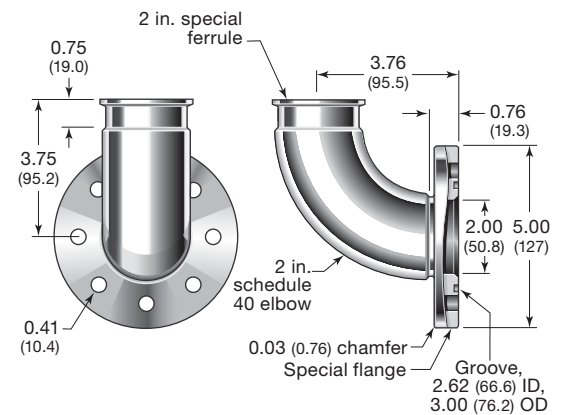
### 1 in. Kwik-Clamp to 1/2 in. Male NPT Manifold



### 1 in. Kwik-Clamp Elbowed Tee



### 2 in. Flange to Kwik-Clamp Heavy-Wall Elbow



**For more information on special and standard fabrications for the biopharmaceutical and sanitary industries, contact your authorized Swagelok sales and service representative.**

#### Safe Product Selection

When selecting a product, the total system design must be considered to ensure safe, trouble-free performance. Function, material compatibility, adequate ratings, proper installation, operation, and maintenance are the responsibilities of the system designer and user.

#### Warranty Information

Swagelok products are backed by The Swagelok Limited Lifetime Warranty. For a copy, visit [swagelok.com](http://swagelok.com) or contact your authorized Swagelok representative.