

# Series 5 Weld Head



## User's Manual

<b>English</b> . . . . .	<b>3</b>
<b>German (Deutsch)</b> . . . . .	<b>59</b>
<b>Japanese (日本人)</b> . . . . .	<b>115</b>
<b>Chinese (中国简化)</b> . . . . .	<b>171</b>



# Series 5

## Weld Head



User's Manual

# Contents

<b>Weld Head</b> . . . . .	<b>5</b>
<b>Fixture Block</b> . . . . .	<b>5</b>
<b>Unpacking the Weld Head Components</b> . . . . .	<b>6</b>
<b>Installing the Weld Head</b> . . . . .	<b>7</b>
<b>Installing the Electrode in the Weld Head</b> . . . . .	<b>8</b>
<b>Calculating Arc Gap Gage Settings</b> . . . . .	<b>10</b>
<b>Setting the Arc Gap</b> . . . . .	<b>11</b>
<b>Fixturing the Work</b> . . . . .	<b>16</b>
<b>Installing the Collets in a Tube Fixture Block</b> . . . . .	<b>17</b>
<b>Maintenance</b> . . . . .	<b>26</b>
<b>Parts Drawings</b> . . . . .	<b>35</b>

## Weld Head

The Series 5 Swagelok Welding System (SWS) weld head delivers consistent, precise welds for outside diameters from 1/8 to 5/8 in. and 3 to 17.3 mm.

A DC motor in the weld head drives a rotor, which carries the tungsten electrode around the weld joint. Optical circuitry in the weld head sends precise feedback to the power supply to control the speed of the rotor.

All moving parts in the weld head are mounted in low-friction devices to provide smooth, consistent operation.

A spring-loaded, floating brush continuously contacts approximately one-third of the circumference of the rotor. This configuration ensures consistent, uniform electrical conductance to the rotor and electrode.

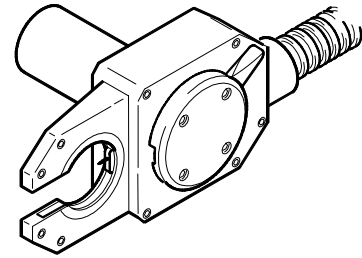


Figure 1 Series 5 Weld head

## Fixture Block

The Series 5 SWS fixture block accurately aligns and holds tubing, fittings, and valve bodies. The modular design allows you to select different side plates and create the configuration needed for the job.

The fixture block is separate from the weld head, allowing work pieces to be easily aligned and fixtured before welding. Using multiple fixture blocks can increase productivity.

Each fixture block is designed to accommodate a range of work piece sizes. A Universal Collet Insert (UCI) fits into the fixture block to match the diameter of the work piece. The collet design firmly holds tubing and fittings that vary  $\pm 0.005$  in. (0.13 mm) from nominal outside diameter. The collets exchange quickly, making the fixture block very adaptable to changing work requirements.

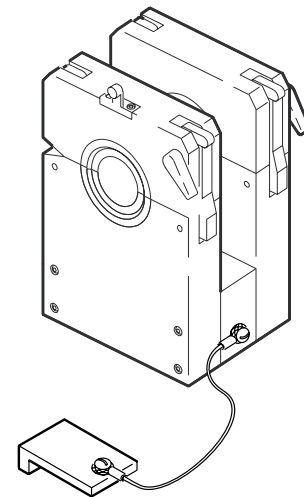


Figure 2 Series 5 Fixture Block

## Unpacking the Weld Head Components

The following weld head components are packaged in a foam-lined shipping container:

- weld head
- arc gap gage
- electrode package
- tool package.

Perform the following steps when your Swagelok Series 5 weld head arrives:

1. Inspect the container for damage.
2. Remove the components from the container.
3. Check the items for any damage.
4. Verify that the weld head serial number matches the serial number on the shipping container.
5. Record the model and serial numbers, and the delivery dates on the *Registration Information* page of your power supply user's manual.

## Installing the Weld Head

The weld head has four connectors that plug into the power supply.

The four connectors on the cable are:

- weld head
- electrode (red)
- work (green)
- weld head shielding gas.

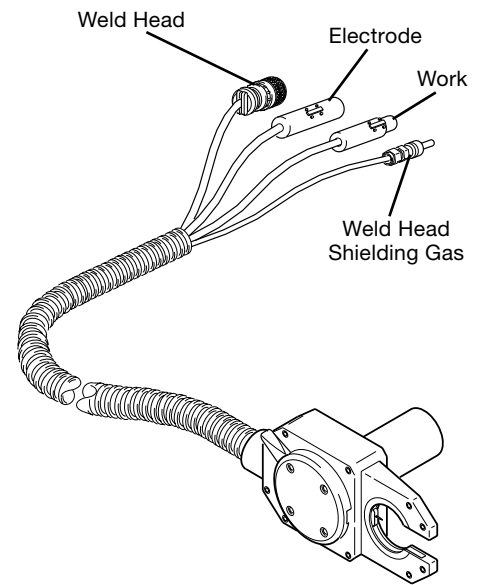


Figure 3 Weld Head

Connect the four connectors to the side panel of the power supply by performing the following steps (see Figure 4):

1. Locate the weld head.
2. Align the notch on the one-quarter turn connector with the small tab in the mating socket on the side panel labeled WELD HEAD. Insert the connector in the socket. Turn the connector sleeve clockwise by hand until it is tight. This connection provides the control signals to drive the weld head.
3. Insert and fully seat the red connector into the socket on the side panel labeled ELECTRODE. Twist the connector 1/4-turn clockwise to lock it into place. This connection is the negative (-) terminal of the weld head.
4. Insert the green connector into the socket on the side panel labeled WORK. Twist the connector 1/4-turn clockwise to lock it into place. This connection is the positive (+) terminal of the weld head.
5. Insert the weld head shielding gas connector into the Swagelok Quick-Connect stem labeled TO WELD HEAD. Ensure that the connector is firmly attached. This connection provides shielding gas to the weld head through a mass flow controller (MFC) in the power supply.

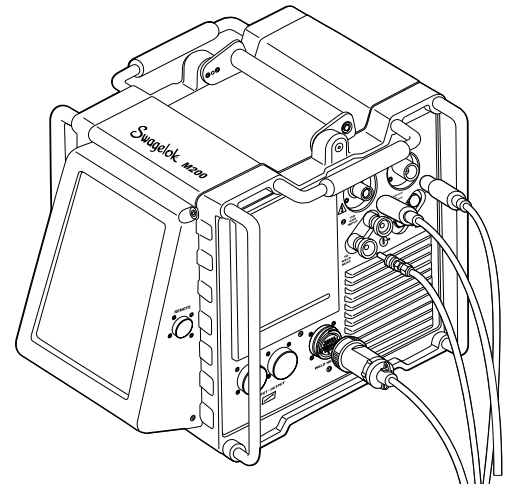


Figure 4 Weld Head Connectors



### Caution!

Ensure that the weld head connector is fully seated in the mating socket and the threaded sleeve is tight.

### Note:

The weld head shielding gas connector must be a single-end shut-off (SESO) Swagelok Quick-Connect stem (SS-QC4-S-400).

## Installing the Electrode in the Weld Head

This Swagelok weld head comes with a selection of electrodes. The following instructions show how to properly install an electrode in the weld head.

### Selecting the Proper Electrode

Electrode length and diameter depend on your weld head model and the outside diameter of the work piece being welded. To select the correct electrode, use the Electrode Selection Table. The M200 will generate the appropriate electrode when using the Auto Create feature.

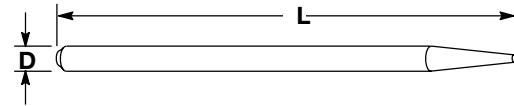


Figure 5 Electrode Dimensions

Table 1 Electrode Selection Table

Electrode Part No.	Component OD	Electrode Length (L) in. (mm)	Electrode Diameter (D) in. (mm)
CWS-C.040.705-P	1/8 in.	0.705 (17,90)	0.040 (1,02)
	3/16 in.		
	3 mm		
	1/4 in.		
CWS-C.040-.605-P	5/16 in.	0.605 (15,37)	0.040 (1,02)
	6 mm		
	8 mm		
CWS-C.040-.555-P	3/8 in.	0.555 (14,10)	0.040 (1,02)
	1/2 in.		
	10 mm		
	12 mm		
CWS-C.040-.450-P	5/8 in.	0.450 (11,43)	0.040 (1,02)
	15 mm		
CWS-C.040-.405-P	16 mm	0.405 (10,29)	0.040 (1,02)
	17.3 mm		



## Electrode Geometry

This illustration shows the electrode shape Swagelok suggests. Properly ground electrodes provide consistent, repeatable welds. Pre-ground electrodes are available from your Swagelok representative. See your parts list for ordering information.

The electrode part numbers are assigned as follows:

**CWS - X.### - #.### - P**

Material Designator  
C = Ceriated

Electrode Diameter

Electrode Diameter

Package Designator

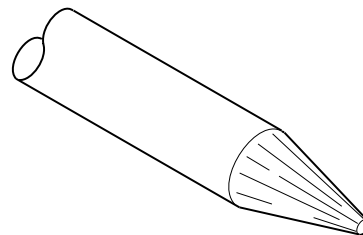
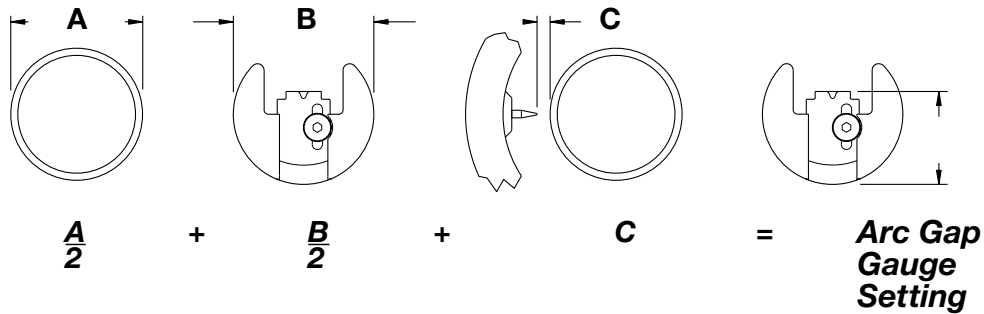


Figure 6 Tungsten Electrode

The ceriated electrode material type is a mixture of 98 % tungsten and 2 % cerium and is commonly referred to as “2 % ceriated.” This electrode type has demonstrated improved arc starting performance over the 2 % thoriated type, particularly when using purified shielding gas.

## Calculating Arc Gap Gage Settings

To determine the arc gap gage setting for a specific arc gap, use the formula below.



### Where

A = largest OD on the weld end of the tubing or fitting (welding diameter).

B = Arc gap gage diameter

C = desired arc gap

Figure 7 Arc Gap Gage Setting Formula

### Example No. 1: (Series 5 Weld Head)

1/4 to 1/4 in. tube butt weld—

Largest outside diameter	A = 0.253 in.
Arc gap gage diameter	B = 1.244 in.
Desired arc gap	C = 0.028 in.

$$\frac{0.253 \text{ in.}}{2} + \frac{1.244}{2} + 0.028 \text{ in.} = 0.777 \text{ in.}$$

### Example No. 2: (Series 5 Weld Head)

6 to 6 mm tube butt weld—

Largest outside diameter	A = 6,081 mm
Arc gap gage diameter	B = 31,60 mm
Desired arc gap	C = 0,71 mm

$$\frac{6,081 \text{ mm}}{2} + \frac{31,60 \text{ mm}}{2} + 0,71 \text{ mm} = 19,551 \text{ mm}$$

## Setting the Arc Gap

The proper arc gap setting facilitates control of the weld and improves consistency. The following steps cover how to set the arc gap.

The arc gap is set by using the arc gap gage provided with the weld head. The gage is adjusted for the desired arc gap and then installed in the rotor aperture. With the gage in place, the electrode can be positioned with reasonable accuracy.

### Setting the Arc Gap Gage

1. Measure the outside diameters of the work pieces being welded using a caliper or micrometer. See Figure 8(A). The M200 will calculate the arc gap gage setting when using the Auto Create feature.
2. Refer to the tables on page 12 for your nominal OD. Find the “actual” outside diameter nearest to your measurement.
3. Adjust the arc gap gage to match the setting from the tables on page 8. See Figure 12 (B).

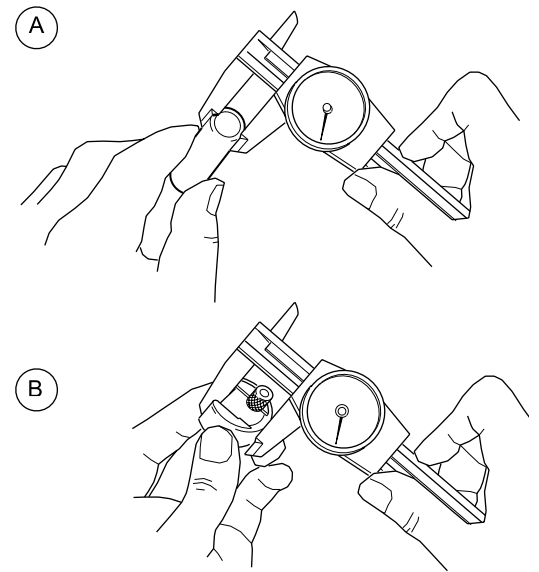


Figure 8 Setting the Arc Gap Gage

Table 2 SWS-5H Arc Gap Gage Dia. 1.244 in.

Nominal OD in.	Actual OD in.	Setting for 0.025 in. Arc Gap in.	Setting for 0.030 in. Arc Gap in.	Setting for 0.035 in. Arc Gap in.	Setting for 0.040 in. Arc Gap in.	Setting for 0.045 in. Arc Gap in.	Setting for 0.050 in. Arc Gap in.	Setting for 0,51 mm Arc Gap mm	Setting for 0,64 mm Arc Gap mm	Setting for 0,89 mm Arc Gap mm	Setting for 1,02 mm Arc Gap mm
1/8	0.125	0.710	0.715	0.720	0.725	0.730	0.735	17,91	18,04	18,29	18,42
1/4	0.250	0.772	0.777	0.782	0.787	0.792	0.797	19,48	19,61	19,86	19,99
3/8	0.375	0.835	0.840	0.845	0.850	0.855	0.860	21,08	21,21	21,46	21,59
1/2	0.500	0.897	0.902	0.907	0.912	0.917	0.922	22,66	22,79	23,04	23,17
5/8	0.625	0.960	0.965	0.970	0.975	0.980	0.985	24,25	24,38	24,63	24,76

Table 3 SWS-5H Arc Gap Gage Dia. 31,60 mm

Nominal OD mm	Actual OD mm	Setting for 0.50 mm Arc Gap mm	Setting for 0,64 mm Arc Gap mm	Setting for 0,76 mm Arc Gap mm	Setting for 1,02 mm Arc Gap mm	Setting for 1,14 mm Arc Gap mm
3	3,00	17,80	17,94	18,06	18,19	18,32
6	6,00	19,30	19,44	19,56	19,69	19,82
8	8,00	20,30	20,44	20,56	20,69	20,82
10	10,00	21,30	21,44	21,56	21,69	21,82
12	12,00	22,30	22,44	22,56	22,69	22,82

Table 4 SWS-5H ATW Arc Gap Gage Dia. 1.244 in. (31,60 mm)

ATW Size	Cuff OD	Setting for 0.035 in. (0,89 mm) Arc Gap
1/4 in.	0.29 in.	0.801 in.
3/8 in.	0.41 in.	0.863 in.
1/2 in.	0.55 in.	0.931 in.
6 mm	7 mm	20,19 mm
8 mm	9 mm	21,20 mm
10 mm	11 mm	22,20 mm
12 mm	13,2 mm	23,32 mm

## Inserting the Electrode into a Rotor

1. Without the fixture block attached, press **ELECTRODE CHANGE** on the power supply. The electrode will move to the position shown in Figure 9.
2. Loosen the two electrode clamping screws. If you are replacing the electrode, remove the electrode.
3. Insert the new electrode, with the sharp tip pointing out. Tighten the electrode clamping screws slightly to hold it in place temporarily.
4. Set the proper arc gap with the arc gap gage.

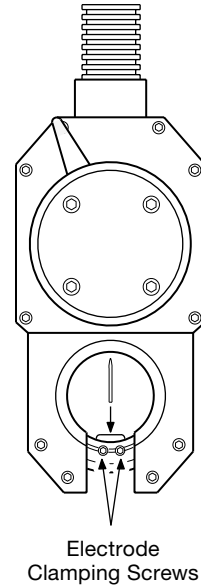


Figure 9 Electrode Installation



**WARNING!**

Do not press **START** while touching the electrode.



**Caution!**

Do not jog or move the rotor unless the electrode is clamped in place.



**Caution!**

The rotor will move when **ELECTRODE CHANGE** is pressed. The rotor is a potential pinch point.

## Setting the Arc Gap

1. Use **JOG** or **ELECTRODE CHANGE** to position the rotor. This allows access to the electrode clamping screws.
2. Insert the arc gap gage into the rotor. See Figure 10(A).
3. Tilt the weld head upward. Loosen the electrode screw allowing the electrode to drop onto the gage surface. See Figure 10(B).
4. Tighten the electrode clamping screws just enough to secure the electrode. Remove the arc gap gage.
5. Press **HOME** or **ELECTRODE CHANGE** to return the rotor to the home position.

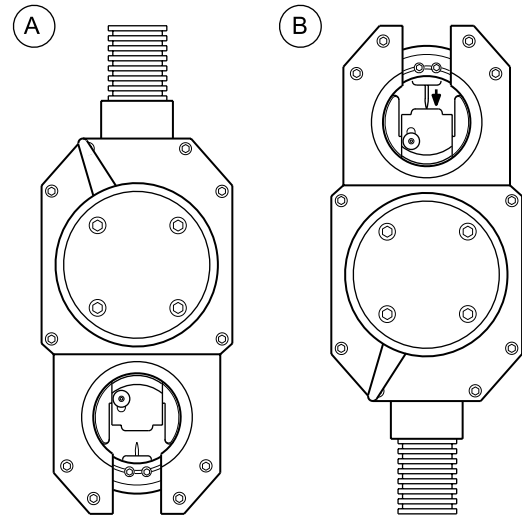


Figure 10 Setting the Arc Gap



**Caution!**

Do not jog or move the rotor unless the electrode is clamped in place.



**Caution!**

The rotor will move when **JOG**, **ELECTRODE CHANGE**, or **HOME** is pressed. The rotor is a potential pinch point.

## Preparing the Work

It is important to prepare the tube pieces properly before welding. Refer to Figure 11.

Tubing must be square and burr-free to ensure repeatable, high-quality autogenous fusion welds. Cut the tubing to length with a hacksaw or tube cutter. Face the tube ends with a lathe or a portable facing tool. Deburr the ends, making sure that both the inside and outside diameters are square and burr-free. Clean the tube ends using an appropriate solvent.

Minimize the chance of a poor quality weld by following these guidelines:

- Tube ends must be square.
- Tube ends must not have a wall thickness variation exceeding  $\pm 15\%$  of nominal.
- Tube ends must be burr-free.
- Tube ends must be free of any rust, grease, oil, paint, or other surface contaminants.

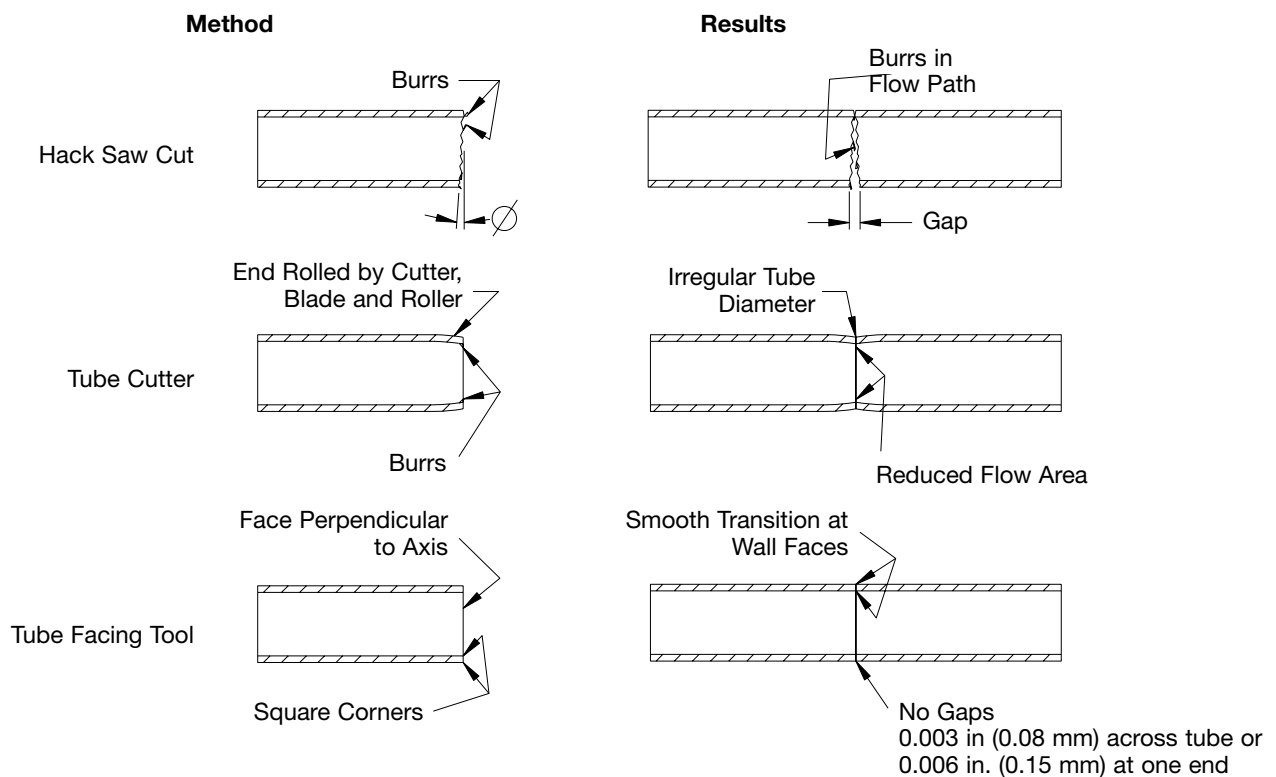


Figure 11 Tube Preparation

## Fixturing the Work

Select or configure the appropriate fixture block. Select the collets to match the work outside diameter.

### Selecting the Fixture Block and Collets

1. Select the fixture block that accepts the outside diameter of the tube to be welded.

Table 5 —Fixture Block

Model	OD Capacity	Minimum Weld Extension Length
CWS-5TFB	1/8 to 5/8 in., 3 to 17.3 mm	3/4 in., 19 mm
CWS-5FSP1	1/4 in.	Used when welding VCR® or VCO® fittings with captured male or female nuts with extension lengths of less than 3/4 in., 19 mm
SWS-5FSP1-EX	1/2 in.	Used when welding VCR fittings with captured male nuts with overall fitting length less than 1.79 in., 45.5 mm or with captured female nuts with overall fitting length less than 1.12 in., 28.4 mm
CWS-5FSP2	1/8 to 1/2 in., 6 to 12 mm	Used to hold Micro-Fit® fittings with an extension length of 1/4 in., 6 mm
SWS-5FSP3L	1/8 to 1/2 in., 3 to 12 mm	Used to hold certain valves with an extension length of 1/2 in., 12 mm
SWS-5FSP3R		
SWS-5FSP4L	1/4 to 3/8 in., 6 to 9 mm	Used to hold Swagelok valves BN, DL, DS, HD, DA, and DP with an extension length of 1/4 in., 6 mm
SWS-5FSP4V		

Extension length is the minimum amount of the tube needed to create a weld in the center of the fixture block.

2. Select the proper collets for the diameter of the parts being welded.

Table 6 —Collets

Model	OD Capacity	Comments
CWS-5UCI-X <sup>①</sup>	1/8 to 5/8 in., 3 to 17.3 mm	Tubing Add “mm” suffix for metric sizes.
CWS-5UFCl-.95	n/a	Fixture collets to hold adapter inserts for CWS-5FSP1 side plate
CWS-5UFCl-X <sup>①</sup>	1/8 to 5/8 in., 3 to 16 mm	Tube collet for 5FSP1 and 5FSP2
SWS-5UFCl-EX-.95	n/a	Fixture collets to hold adapter inserts used for 1/4 in. and smaller VCR or VCO fittings for SWS-5FSP1-EX side plate
CWS-5MWCl-04	1/8 and 1/4 in., 6 mm	Used to hold certain valves with an extension length of 1/2 in., 12 mm
CWS-5MWCl-06	3/8 in., 8 and 10 mm	For Micro-Fit fittings
CWS-5MWCl-08	1/2 in., 12 mm	For Micro-Fit fittings
SWS-5F3UCI-X <sup>①</sup>	1/8 to 1/2 in., 6, 8, and 10 mm	For valves

① Where X identifies the collet size in 1/16ths or metric (mm suffix)



## Installing the Collets in a Tube Fixture Block

1. Release both levers and open the tube fixture block. See Figure 12.
2. Install the collet halves in both the top and bottom side plates and tighten the collet screws. Make sure the collet shoulder is flush against the fixture side plate. See Figure 13(B).

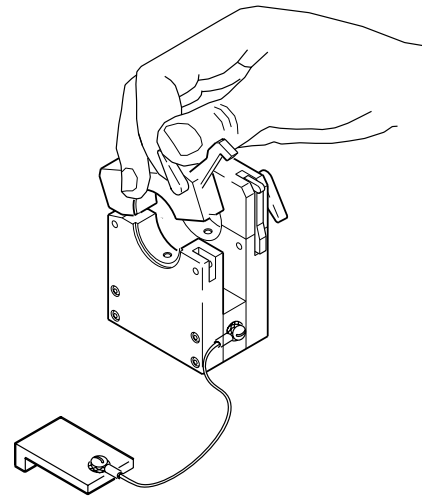


Figure 12 Opening the Fixture Block

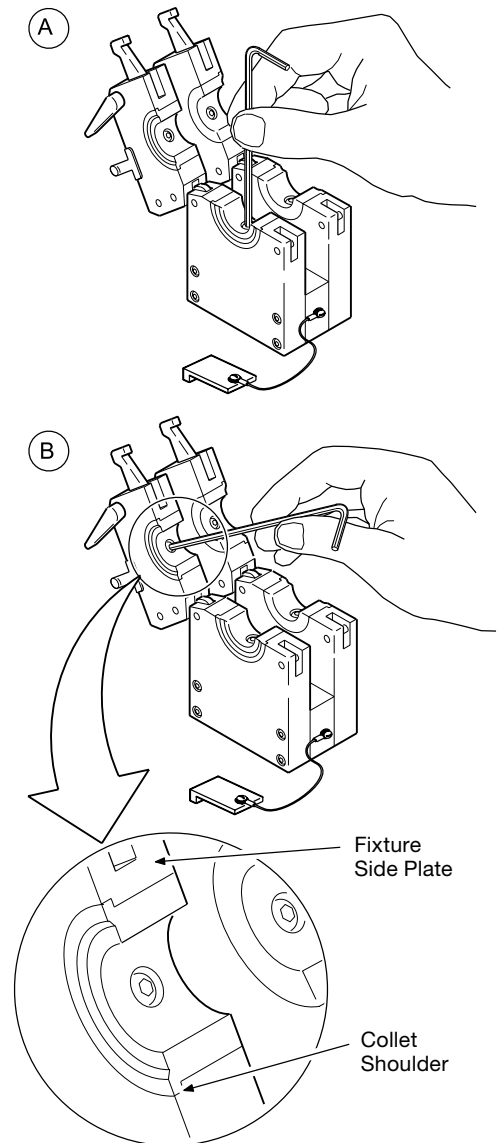


Figure 13 Installing Collets

## Aligning the Work Pieces in the Tube Fixture Block

1. Place the centering gage in one side of the tube fixture block. The centering gage must span the width of the collet. See Figure 14.
2. Butt one work piece against the centering gage. See Figure 15(A).
3. Lock down the top side plate. See Figure 15(B).
4. Remove the centering gage.

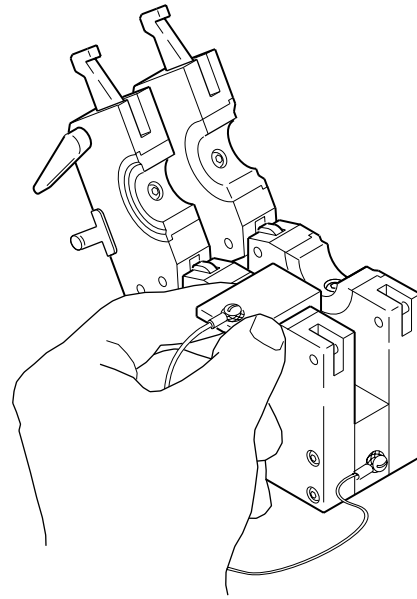


Figure 14 Place the Centering Gage

*Note:*  
When welding a Swagelok ATW fitting to tubing, butt the tubing against the centering gage first.

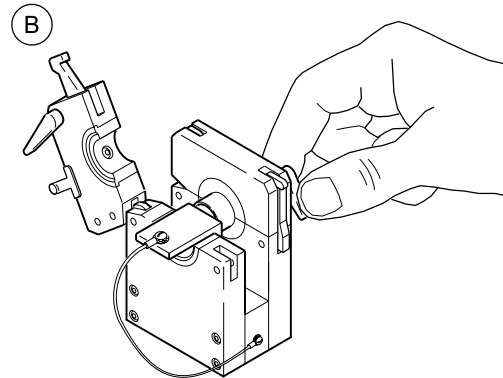
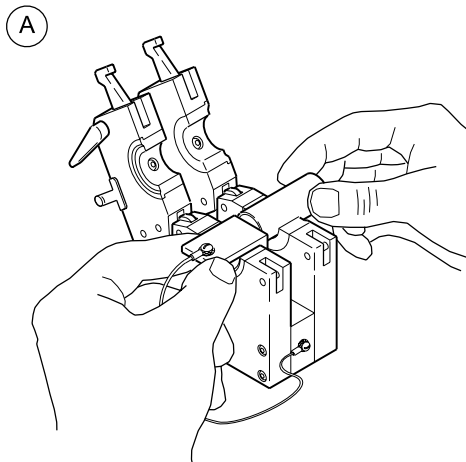


Figure 15 Place First Work Piece in the Fixture Block

5. Butt the second work piece against the first work piece, and lock down the top side plate. See Figure 16.
6. Inspect 360° around the weld joint for fit and alignment. If alignment is not correct proceed to the next section.

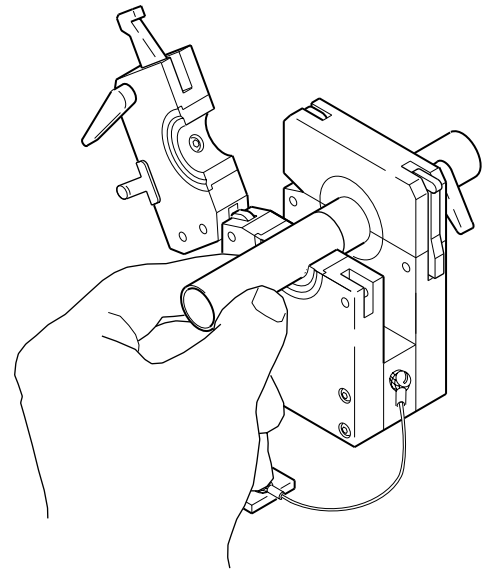


Figure 16 Placing Second Work Piece

### Adjusting the Fixture Block

The modular design of the Series 5 Fixture block allows you to assemble the block to meet a variety of welding requirements.

In order to maintain precise alignment of the work pieces in the fixture block, the side plates must be periodically aligned.

This section covers:

- Tube-to-tube
- Micro-Fit fitting-to-tube
- Micro-Fit fitting-to-Micro-Fit fitting

### Tube-to-Tube Fixture Block

To align the fixture block, follow these steps:

1. Turn the fixture block over and locate the directional arrows on the plenum. The arrows point to the appropriate side plate. See Figure 17.
2. Using the provided 3/32 in. hex wrench, unscrew the four cap screws in the appropriate side plate just enough to loosen it from the plenum. See Figure 17 to locate the appropriate side plate.
3. Turn the fixture block upright and release both levers and open both sides of the fixture block.

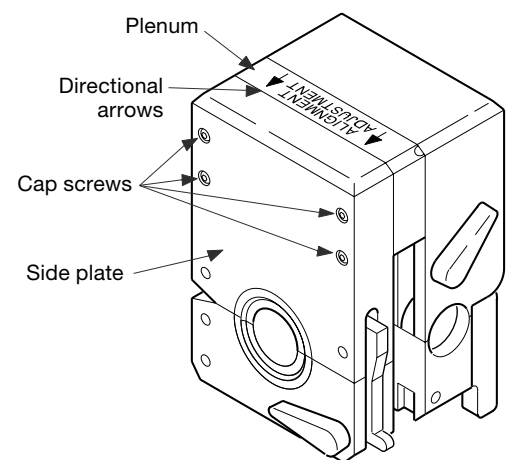


Figure 17 Loosening the Side Plate

1. Place a straight length of tubing (minimum length 1.50 in [38.1 mm]) in the collets such that it rests across both side plates.
2. Close and lock the side plate that is not adjustable. See Figure 18.
3. Lock down the top of the loosened side plate.
4. Tighten the four cap screws in the loosened side plate. Take care to tighten the screws evenly to prevent the side plate from slipping.
5. Open the side plates and remove the tubing.

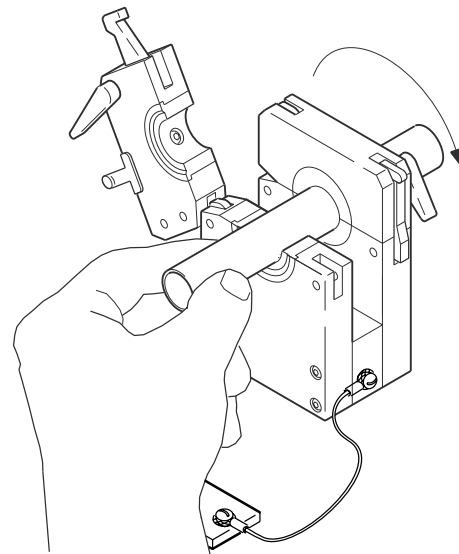


Figure 18 *Placing the Tubing*

### Micro-Fit Fitting-to-Tube Fixture Block

To align the fixture block, follow these steps:

1. Turn the fixture block over and locate the directional arrows on the plenum. The arrows point to the appropriate side plate. See Figure 19.
2. Using the provided 3/32 in. hex wrench, unscrew the four cap screws in the appropriate side plate just enough to loosen it from the plenum. See Figure 19 to locate the appropriate side plate.
3. Turn the fixture block upright and release the lever and open the top of the tube side plate.
4. Choose and install a collet that holds tubing that matches the outside diameter of the Micro-Fit fitting.

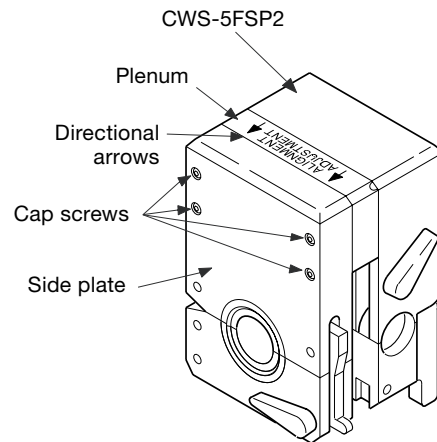


Figure 19 *Loosening the Side Plate*

5. Unlatch and remove the top of the CWS-5FSP2 Side Plate. See Figure 20.
6. Using the centering gage, place a straight length of tubing (minimum length 0.75 in. [19.1 mm]) in the tube side plate and lock down the top of the plate.

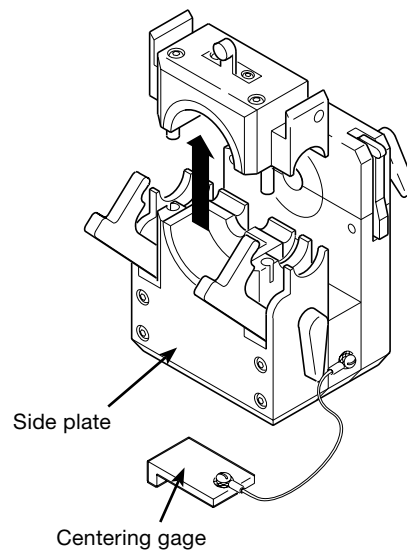


Figure 20 Removing the Top of the Side Plate

7. Place the Micro-Fit fitting in the fitting side plate and close and latch the top.
8. Align the Micro-Fit fitting with the tubing. See Figure 21.
9. While maintaining the fitting-to-tubing alignment, tighten the four cap screws in the adjustable side plate. Take care to tighten the screws evenly to prevent the side plate from slipping.

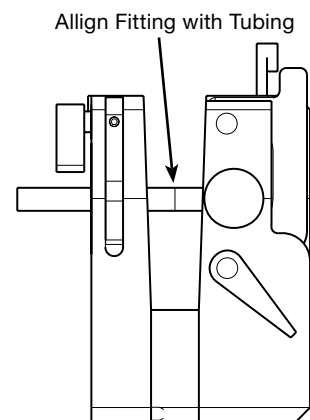


Figure 21 Aligning the Micro-Fit Fitting With the Tubing

## Micro-Fit Fitting to Micro-Fit Fitting Fixture Block

To align the fixture block, follow these steps:

1. Turn the fixture block over and locate the directional arrows on the plenum. The arrows point to the appropriate side plate. See Figure 22.
2. Using the provided 3/32 in. hex wrench, unscrew the four cap screws in the appropriate side plate just enough to loosen it from the plenum. See Figure 22 to locate the appropriate side plate.

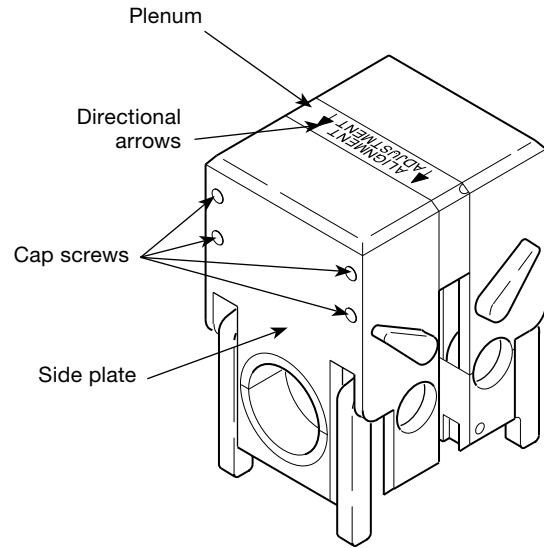


Figure 22 Loosening the Side Plate

3. Turn the fixture block upright and remove the tops of the CWS-5FSP2 Side Plates. See Figure 23.
4. Using the centering gage, place one Micro-Fit fitting in one of the side plates.
5. Reinstall that side plate top.
6. Insert the second Micro-Fit fitting into the other side plate and close its top.

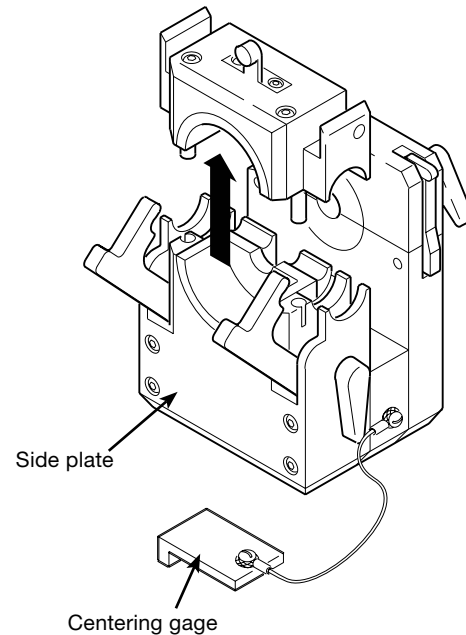


Figure 23 Removing the Top of the Side Plate

7. Align the two Micro-Fit fittings by adjusting the side plate that is loose. See Figure 24.
8. While maintaining the fitting-to-fitting alignment, tighten the four cap screws in the adjustable side plate. Take care to tighten the screws evenly to prevent the side plate from slipping.

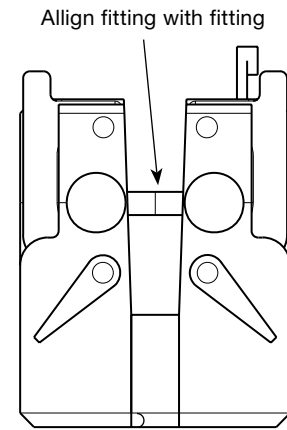


Figure 24 Aligning the Micro-Fit Fittings

## Mating the Weld Head to the Fixture Block

1. Rotate the locking lever on the weld head counterclockwise until it stops. See Figure 25.
2. Insert the weld head into the fixture block. See Figure 26(A).
3. Rotate the locking lever clockwise to secure the weld head. See Figure 26(B).

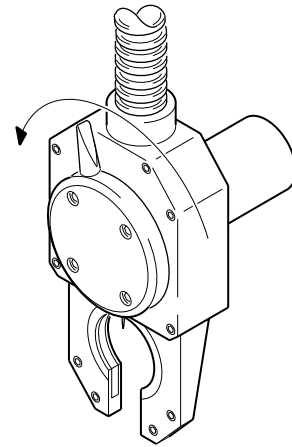


Figure 25 Releasing the Locking Lever

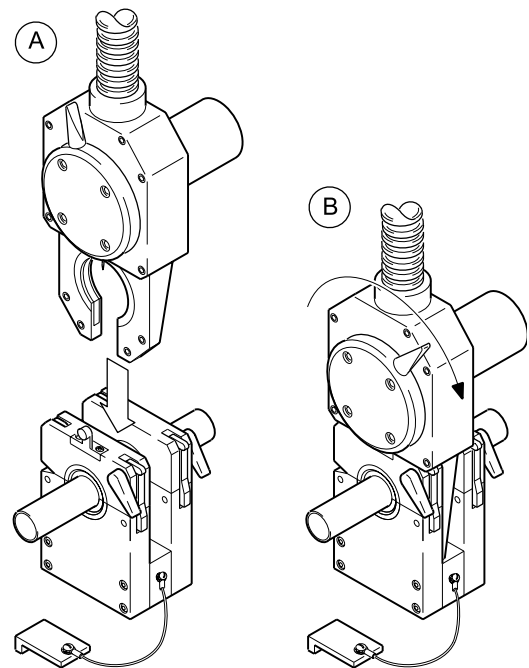


Figure 26 Mating the Weld Head to the Fixture Block



## Operating the Weld Head

Operate the weld head using the following parameters:

<b>Shield Gas Flow Rate std ft<sup>3</sup>/hr (std L/min)</b>	10 to 20 ① (4.7 to 9.5)
<b>Prepurge and Postpurge Minimum Time in Seconds</b>	20 ②
<b>Maximum Recommended Average Amps</b>	55 Amps at 50 % Duty Cycle ③ 70 Amps at 35 % Duty Cycle

① Set flow to higher rates when welding at high current rates.

② Flow should be continuous for cooling when welding at high current rates.

③ Output amps may be reduced when using optional weld head extension cables.

## Maintenance

To ensure your Swagelok Welding System (SWS) equipment is always in proper working order, you must perform periodic maintenance on the system components.

This section describes the procedures necessary for maintaining the fixture blocks and weld head.

For detailed part drawings and information, refer to the Part Drawings at the end of this manual.

Perform fixture block maintenance daily and after every 1,000 to 1,200 welds.

Depending on usage and wear, maintenance may be performed before the 1,000-weld mark.

**Note:**

*If you experience problems while performing the procedures in this section, refer to the Troubleshooting section in the power supply user manual or contact your authorized Swagelok representative.*

**Note:**

*Replace any defective parts. Service replacement parts are available through your authorized Swagelok representative.*

## Fixture Block Daily Maintenance

At the start of each workday:

1. Inspect the fixture block for cleanliness, wear and damage. See Figure 27.
2. Remove dirt, carbon, and vapor deposits from the fixture block with a clean, soft cloth. A solvent such as alcohol or acetone can be used. Remove heavier deposits with a fine-grit abrasive pad.

At the end of each workday, clean and then store the fixture block in a dry place.

## Fixture Block Periodic Maintenance

Every 1,000 to 1,200 welds:

1. Inspect and clean the collets. See Figure 27(A).
2. Check for scratches and dents.
3. Remove dirt and oxides from all surfaces of the collet with a soft stainless steel wire brush.
4. Remove any oxides from the non-anodized mating surfaces of the side plates with a fine-grit abrasive pad. See Figure 27(B).
5. Remove any dirt and oxides from the inside surfaces of the side plates with a clean, soft cloth. See Figure 27(C). Remove heavier deposits with a fine-grit abrasive pad.
6. Check the lever cam and latch for smooth operation. See Figure 28.
  - a. Remove lever cam by removing the set screw from the latch and pulling the lever cam from the fixture block.
  - b. Clean the lever cam and lightly lubricate if necessary.
  - c. Replace the set screw and verify that it is locked tightly in position.
7. Verify the fixture block will properly secure the work piece.
  - a. Install collets into one side of the fixture block.
  - b. Insert nominal sized tubing and close the fixture block using the lever cams.
  - c. Verify the tubing does not rotate in the collets.
  - d. Verify the tubing does not slide side-to-side in the collets.
  - e. Verify the tubing does not move up and down or left to right in the collets.
  - f. Repeat for the other side of the fixture block.

Contact your authorized Swagelok representative to return the fixture block for service.

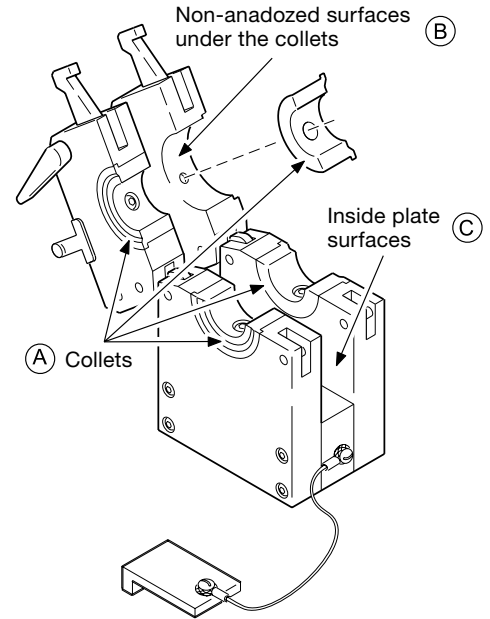


Figure 27 Cleaning the Collets and Collet Mounting Surfaces

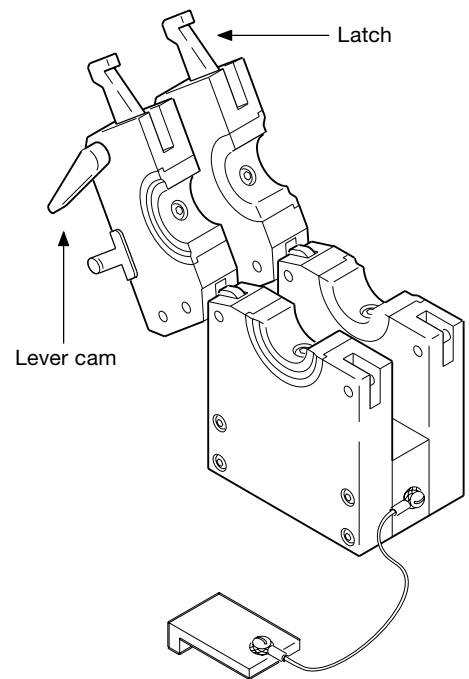


Figure 28 Lever Cam and Latch

### Note:

If any wear or damage is found or the fixture block is not properly securing the work piece, the fixture block should not be used.

## Weld Head Daily Maintenance

Perform weld head maintenance daily and every 1,000 to 1,200 welds. Depending on usage and wear, maintenance may be performed before the 1,000-weld mark.

At the start of each work day:

1. Inspect the weld head for cleanliness. Pay close attention to the rotor area.
2. Press **JOG**. Check the rotor for smooth rotation. Press **JOG** to stop the rotor motion. If the rotation is erratic or noisy, disassemble the weld head and clean the rotor, gears, and brush. See **Weld Head Disassembly and Cleaning**.
3. Press **HOME** to return the rotor to the HOME position.

At the end of each work day:

1. Remove dirt, carbon, and vapor deposits from the weld head with a clean, soft cloth and a solvent such as isopropyl alcohol.
2. Store the weld head in a clean, dry place.



### WARNING!

Disconnect the **WORK** and **ELECTRODE** cables from the power supply before performing the adjustment or maintenance.

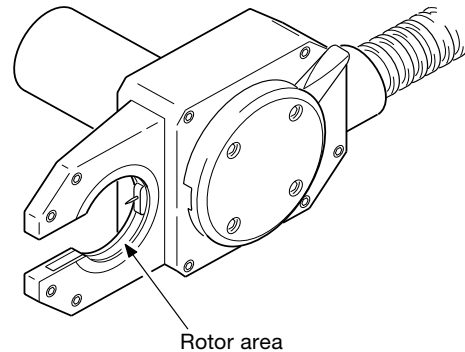


Figure 29 *Inspect Exposed Surfaces of the Weld Head*



### Caution!

Do not use lubricants inside the weld head.



### Caution!

The rotor will move when **JOG** or **HOME** is pressed. The rotor is a potential pinch point.

## Weld Head Disassembly and Cleaning

This section describes how to disassemble the weld head and rotor.

### Weld Head

To disassemble the weld head, follow these steps:

1. Blow any loose material from the weld head assembly with clean, low-pressure air.
2. Remove the four screws, locking ring, and locking ring plate. See Figure 30.

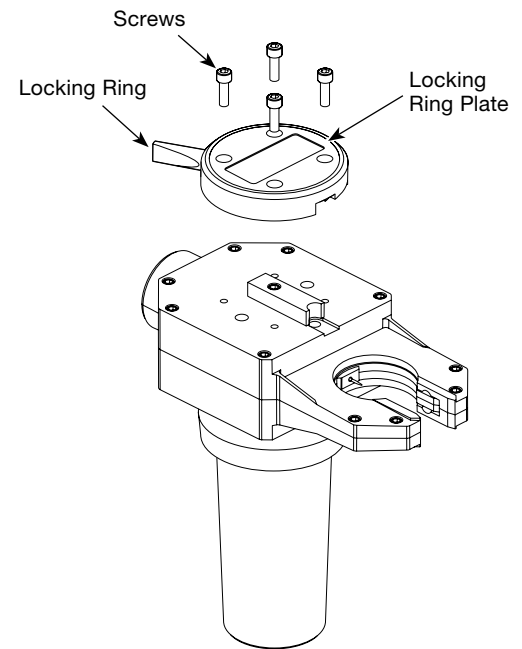


Figure 30 Removing the Locking Ring and Locking Ring Plate

3. Remove the work extension screw with the lock washer, and the work extension. Inspect the work extension for pitting, wear, or damage. See Figure 31.
4. Replace work extension if necessary. Refer to the **Parts Drawings** at the end of this manual for part ordering information.

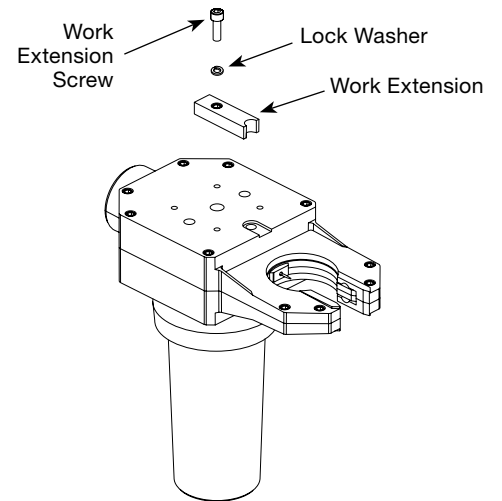


Figure 31 Removing the Work Extension

5. Remove the weld head housing screws from the housing. Using a slight rocking motion, carefully separate the locking ring half of the weld head housing from the motor half. See Figure 32.
6. Carefully separate the weld head housing halves so that internal components are not damaged. See Figure 32.
7. Remove the rotor from the motor half of the weld head housing. See Figure 33.
8. Carefully lift the power block subassembly out of the motor half of the weld head housing. See Figure 34.

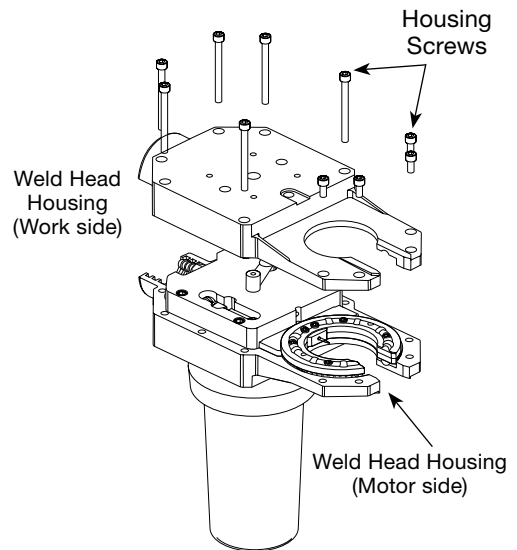


Figure 32 Removing the Locking Ring Half of the Weld Head Housing

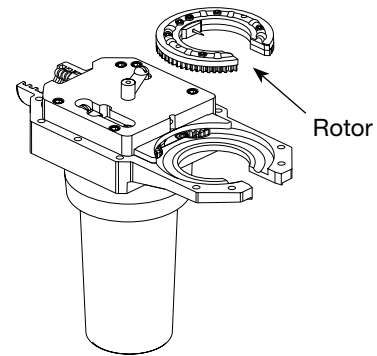


Figure 33 Removing the Rotor

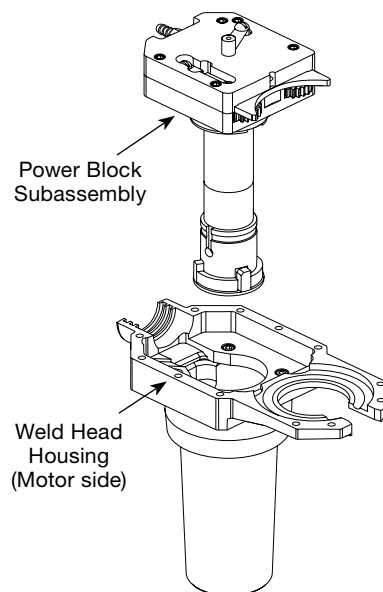


Figure 34 Removing the Power Block Subassembly

9. Examine the brush. See Figure 35.

Inspect and clean the brush using the following steps:

- a. Check the brush for excessive wear.
- b. Ensure the brush has a groove. Replace the brush if the groove is not present. Refer to **Parts Drawings** for part ordering information.
- c. Remove any oxidation from the brush with a fine-grit abrasive pad.

10. Blow any loose material from the power block assembly with clean, low-pressure air.

11. Ensure that the two power strap screws are tight. See Figure 36.

12. Ensure that the work plate screw is tight and free from excessive oxidation. See Figure 37. Clean the work plate with a fine-grit abrasive pad if necessary.

13. Inspect the gears for wear and replace if damaged. Refer to **Parts Drawings** for part ordering information.

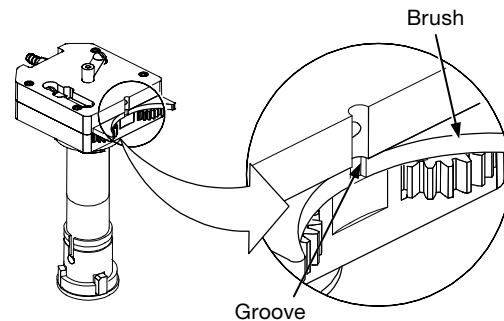


Figure 35 Inspecting the Brush

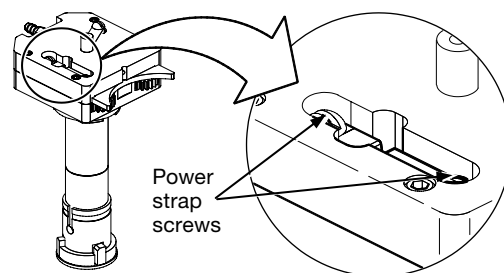


Figure 36 Inspecting the Power Strap Screws

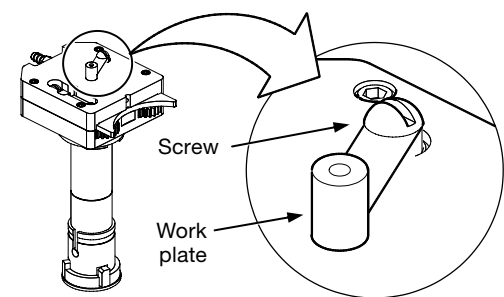


Figure 37 Inspecting the Work Plate and Plate Screws

## Rotor

To disassemble the rotor, follow these steps:

1. Remove the rotor screws and the electrode clamping plate screws from the rotor. Remove the electrode from the ceramic insert. See Figure 38.
2. Place the rotor on a clean, dry surface with the rotor opening facing up. Separate the gear ring from the brush ring enough to clear the two rotor pins. See Figure 39.
3. Completely separate the gear ring from the brush ring as shown in Figure 40. Lay the rings flat on the work surface.
4. Remove the ball bearings from the gear and brush rings.
5. Inspect the ball bearings for wear and damage. Replace if necessary.
6. If the ball bearings are dirty, clean them with isopropyl alcohol or cleaning solution. Dry the ball bearings thoroughly.

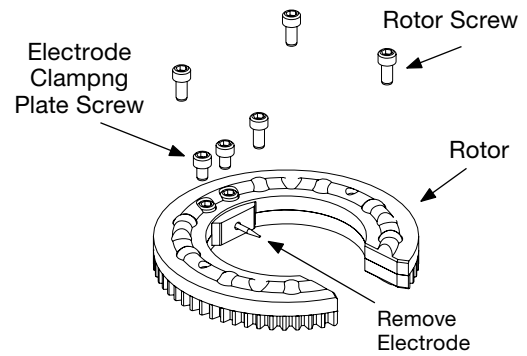


Figure 38 Removing the Rotor and Electrode Clamping Plate Screws

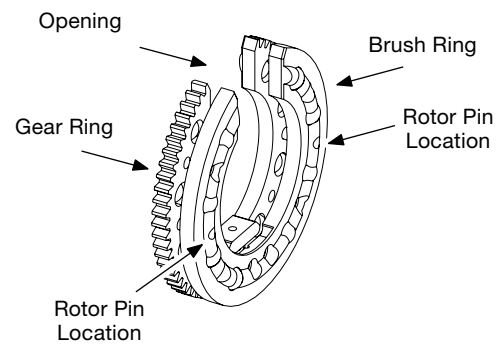


Figure 39 Placing the Rotor on the Work Surface

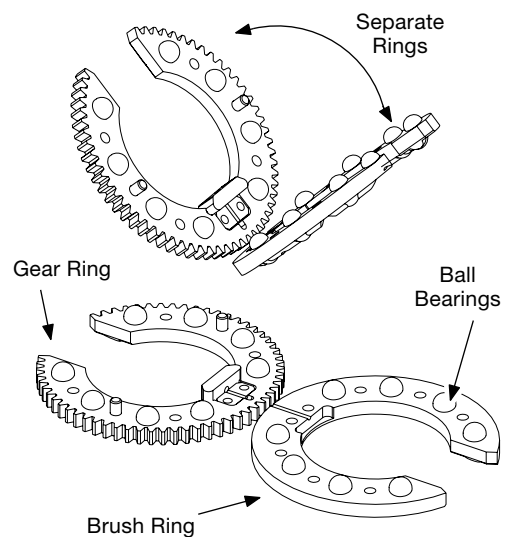


Figure 40 Separating the Gear Ring from the Brush Ring



7. Remove the ceramic insert. See Figure 41.
8. Inspect the ceramic insert. If it has carbon or other deposits, clean it with a fine-grit abrasive pad or soft nylon brush.
9. Remove the electrode clamping plate. Clean it with a fine-grit abrasive pad. See Figure 42.
10. Inspect the brush and gear rings for dirt or other deposits. Clean the rings with a fine-grit abrasive pad or soft stainless steel wire brush.
11. Dry all parts with clean, low-pressure air before reassembly.

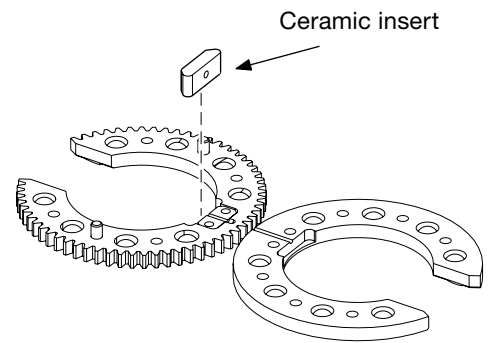


Figure 41 Removing the Ceramic Insert

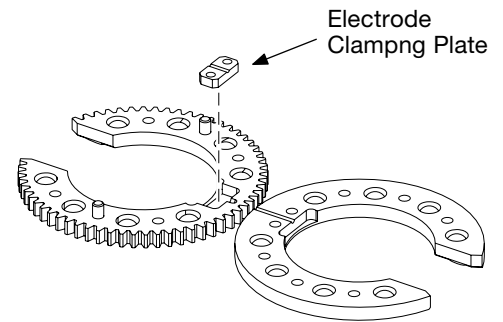


Figure 42 Removing the Electrode Clamping Plate

## Weld Head Assembly

Assembly of the weld head and rotor is the reverse of the disassembly procedures.

To assemble the weld head, follow these steps:

1. Complete the steps in reverse order in **Rotor**.
2. Complete the steps in reverse order in **Weld Head Disassembly and Cleaning**.
3. Verify proper rotor position. See Figure 43.



### Caution!

**Do not pinch any internal wiring during reassembly.**

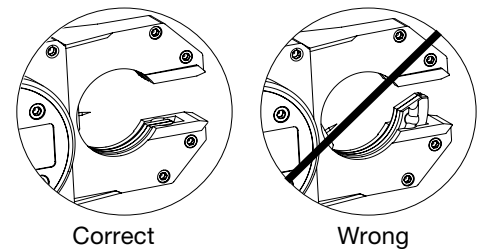


Figure 43 Rotor Position



## Parts Drawings

This section includes exploded assembly drawings and associated parts lists. These drawings are provided as a guide to identifying part names. For specific part ordering information, contact your authorized Swagelok representative.

The parts identified in this section include:

- SWS-5H Weld Head
- SWS-5H Rotor Assembly
- SWS-5H Motor and Power Block Assembly
- CWS-5TFB Tube Fixture Block
- CWS-5FSP1 Special Purpose Fixture Block
- SWS-5FSP1-EX Special Purpose Fixture Block
- CWS-5FSP2 Special Purpose Fixture Block
- SWS-5FSP3L Side Plate
- SWS-5FSP3R Side Plate
- SWS-5FSP4L Side Plate
- SWS-5FSP4R Side Plate

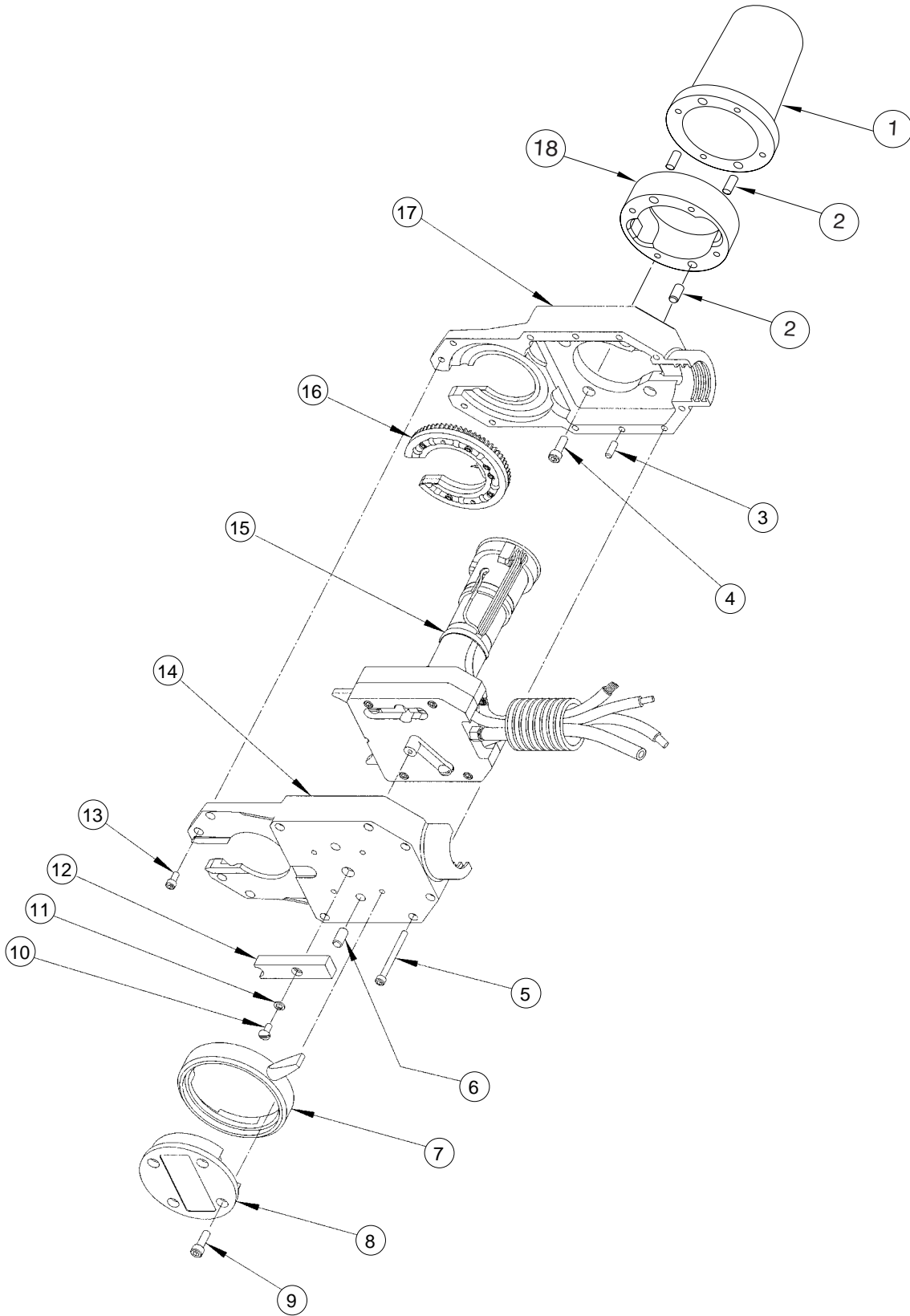


Figure 44 SWS-5H Weld Head

Table 7 SWS-5H Weld Head Parts List

Reference No.	Description	Ordering Number	Minimum Order Quantity
1	Motor Cover	K-SWS-WH-MT-CVR	1
2	Dowel Pin	*	*
3	Dowel Pin	*	*
4	SS Socket Head Cap Screw, 6-32 × 1.000 in.	K-188-SCSA-138-32-1000	10
5	SS Socket Head Cap Screw, 4-40 × 1.250 in.	K-13162	10
6	Dowel Pin	*	*
7	Locking Ring	K-21065	1
8	Locking Ring Plate	K-SWS-WH-LK-RNG-PLT	1
9	Plastic Socket Head Cap Screw, 6-32 × 0.437 in.	K-13105	10
10	SS Button Head Screw 4-40 × 0.250 in.	K-188-21066-RCEU	10
11	Split Lock Washer	K-13208	10
12	Work (+) Extension Bar	K-21093	1
13	SS Socket Head Cap Screw, 4-40 × 0.260 in., modified	K-13182	10
14	Housing (Work Side)	K-SWS-5H-D-WSH	1
15	Motor Assembly	*	*
16	Rotor Assembly	K-SWS-5H-RTR	1
17	Housing (Motor Side)	K-SWS-5H-D-MSH	1
18	Weld Head Motor Cover Extender	K-SWS-WH-MT-CVR-EXT	1

For ordering information, contact your authorized Swagelok representative.

\* Factory service only

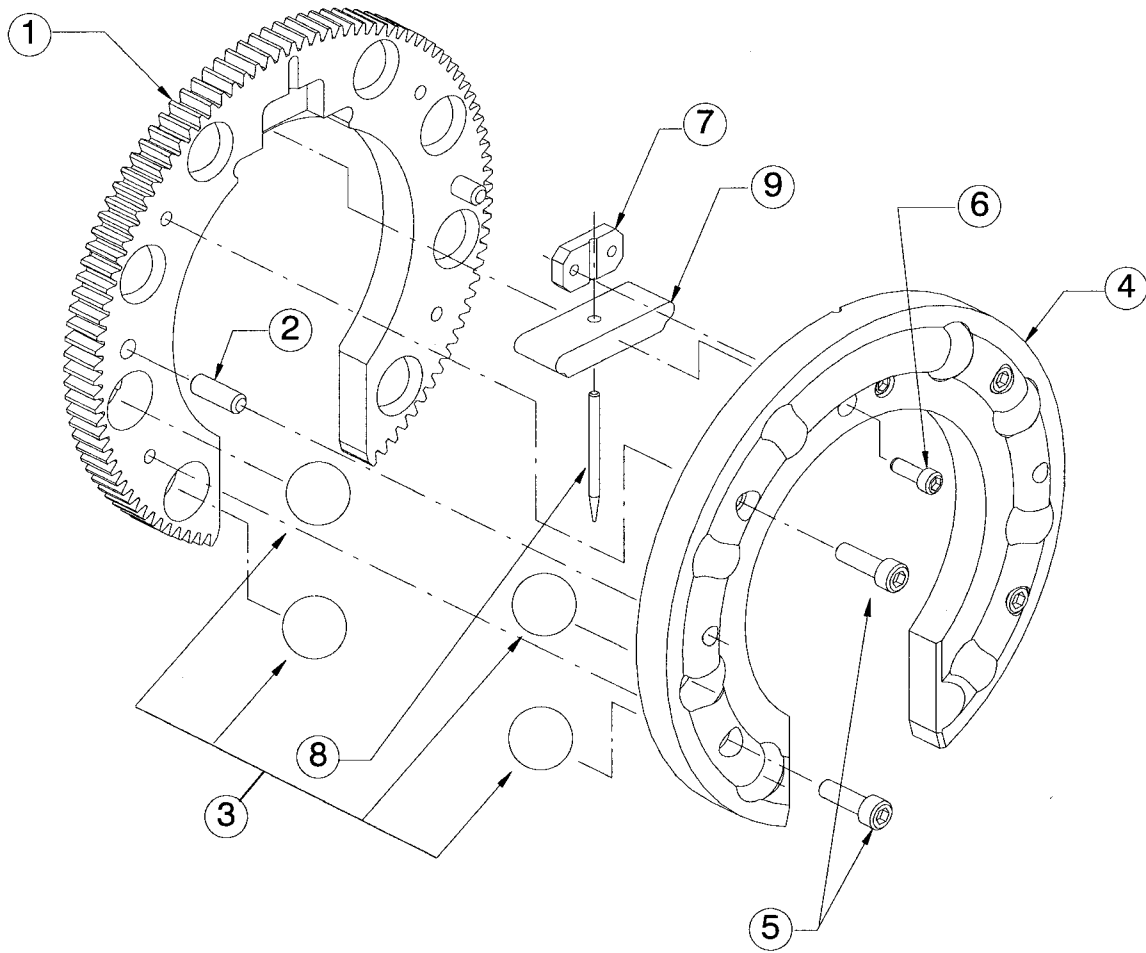


Figure 45 SWS-5H Rotor Assembly

Table 8 SWS-5H Rotor Assembly Parts List

Reference No.	Description	Ordering Number	Minimum Order Quantity
1	Rotor Gear Ring	K-SWS-5H-RTR-GEAR	1
2	Dowel Pins	*	*
3	Plastic Ball Bearing, 0.187 in.	K-11153	10
4	Rotor Brush Ring	K-SWS-5H-RTR-BRUSH	1
5	SS Socket Head Cap Screw, 2-56 × 0.187 in.	K-13111	10
6	SS Socket Head Cap Screw, 2-56 × 0.125 in.	K-13110	10
7	Electrode Clamping Plate	K-11108	1
8	See Electrode Table (page 4)	-	-
9	Ceramic Insert	K-11132	1

For ordering information, contact your authorized Swagelok representative.

\* Factory service only

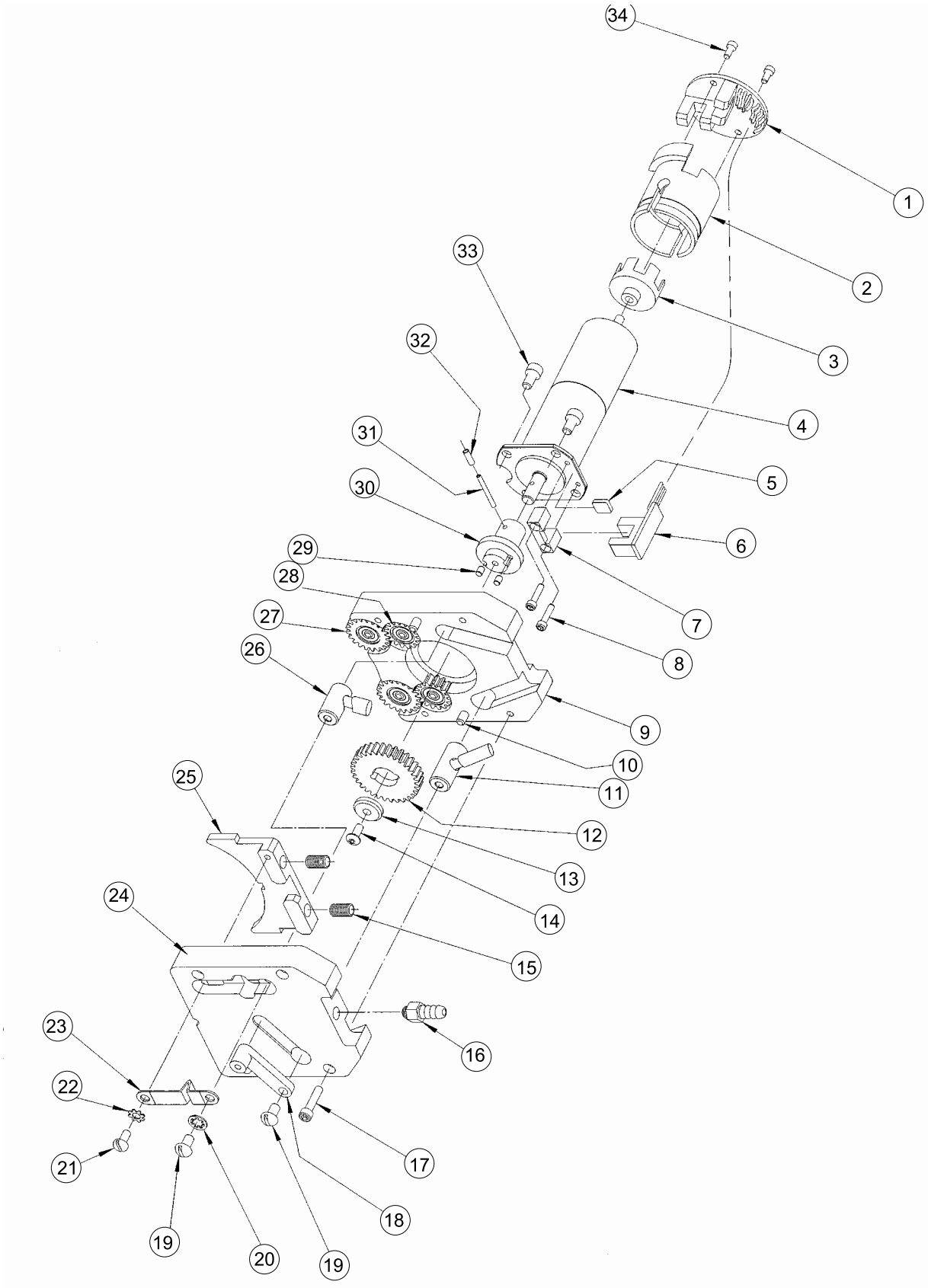


Figure 46 SWS-5H Motor and Power Block Assembly



Table 9 SWS-5H Motor and Power Block Assembly Parts List

Reference No.	Description	Ordering Number	Minimum Order Quantity
1	Encoder Circuit Board	K-10708-A-RCEU	1
2	Sleeve Sensor Mount	*	*
3	Encoder Wheel	*	*
4	Motor	*	*
5	Home Sensor Mount Shim	K-11126	1
6	Home Sensor	*	*
7	Home Sensor Mount	K-11125	1
8	SS Socket Head Cap Screw, 2-56 × 0.375 in.	K-13145	10
9	Power Block (Motor Side)	K-21126	1
10	Dowel Pin	*	*
11	Work (+) Post	*	*
12	Drive Gear	K-SWS-5H-DR-GR	1
13	Retaining Washer	K-SWS-WH-DR-RET-WSHR	1
14	SS Button Head Cap Screw, 4-40 × 0.250 in.	K-13167	10
15	Brush Springs	K-MW-CSC-180-014-310-SG	10
16	Purge Bayonet	B-BN4-K62	1
17	SS Socket Head Cap Screw, 4-40 × 0.500 in.	K-13163	10
18	Work Plate	K-11053-A	1
19	SS Round Head Screw, 6-32 × 0.250 in.	K-188-13124-RCEU	10
20	SS #6 Internal Tooth Lock Washer	K-410-13251-RCEU	10
21	SS Pan head Screw, 4-40 × 0.250 in.	K-188-21066-RCEU	10
22	SS #4 External Star Washer	K-13171	10
23	Power Strap	K-11117-RCEU	1
24	Power Block (Work Side)	K-21207	1
25	Brush	K-SWS-5H-BRUSH	1
26	Power Post	*	*
27	Gear Assembly	10009-4	1
28	Gear Assembly	10009-3	1
29	SS Dowel Pin, 0.093 × 0.125 in.	K-13133	10
30	Drive Coupler	*	*
31	Drive Coupler Pin	*	*
32	Drive Coupler Pin Sleeve	*	*
33	SS Socket Head Cap Screw, 6-32 × 0.250 in.	K-13174	10
34	SS Socket Head Cap Screw, 2-56 × 0.187 in.	K-13111	10

For ordering information, contact your authorized Swagelok representative.

\* Factory service only.

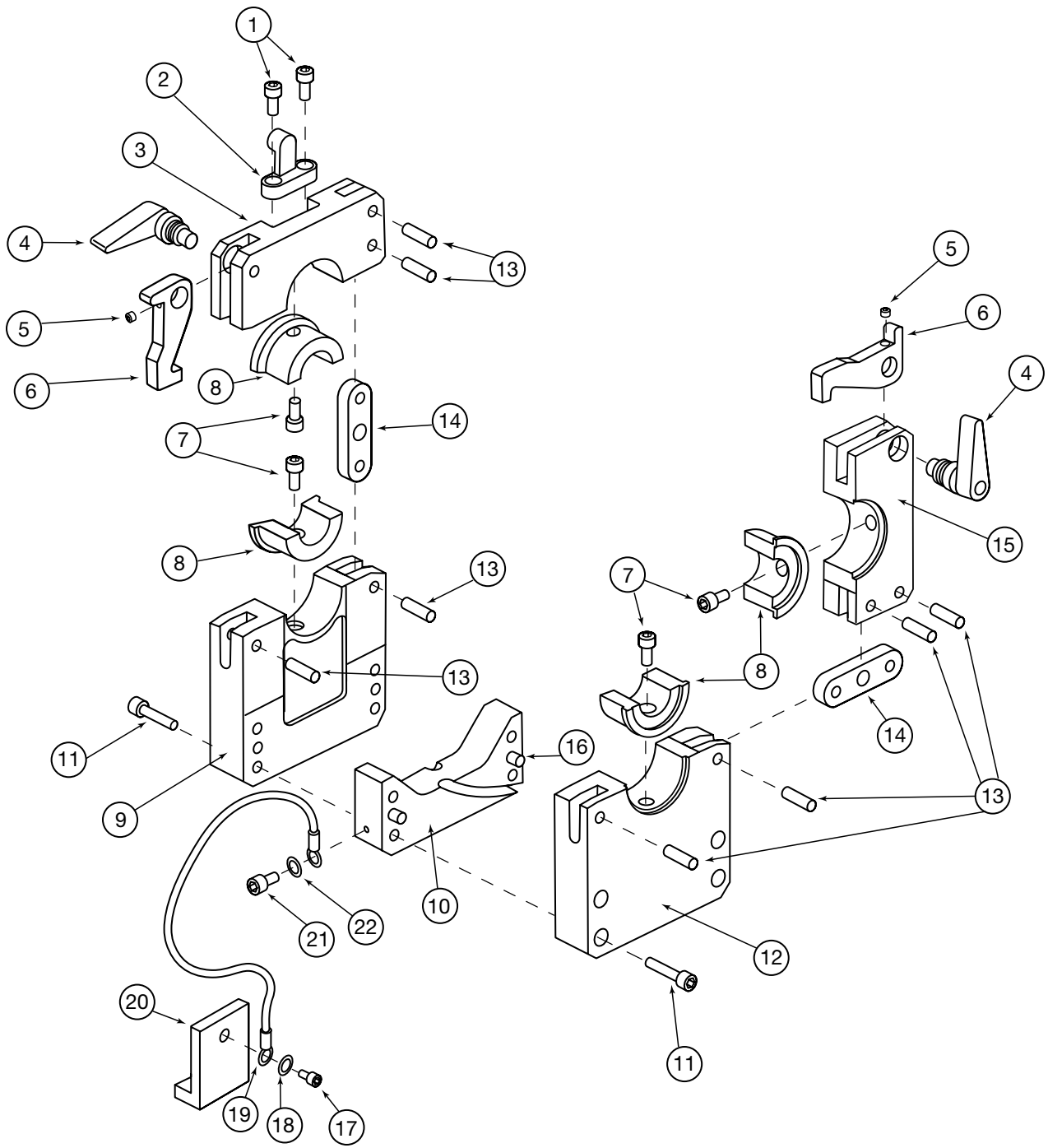


Figure 47 CWS-5TFB Tube Fixture Block

Table 10 CWS-5TFB Tube Fixture Block Parts List

Reference No.	Description	Ordering Number	Minimum Order Quantity
1	SS Socket Head Cap Screw, 4-40 × 0.250 in.	K-13112	10
2	Locking Tab	K-12134	1
3	Bottom Side Plate (left)	CWS-5TSPL	1
4	Lever Cam Assembly	K-12130-2	1
5	SS Set Screw, 4-40 × 0.125 in.	K-12132	10
6	Latch	K-12131	1
7	SS Socket Head Cap Screw, 4-40 × 0.250 in.	K-13112	10
8	See Collet Tables (in <i>Orbital Welding System, Series 5, MS-02-129</i> )	-	-
9	Top Side Plate (left)	CWS-5TSPL	1
10	Plenum Assembly	CWS-5PLEN	1
11	SS Socket Head Cap Screw, 4-40 × 0.563 in.	K-13115	10
12	Top Side Plate (right)	CWS-5TSPR	1
13	Dowel Pin	*	*
14	Hinge	*	*
15	Bottom Side Plate (right)	CWS-5TSPR	1
16	Dowel Pin	*	*
17	SS Socket Head Cap Screw, 4-40 × 0.187 in.	K-13207	10
18	SS #4 External Star Washer	K-13171	10
19	6 in. lanyard	410-003	1
20	Centering Gauge	CWS-5CG	1
21	SS Socket Head Cap Screw, 4-40 × 0.250 in.	K-13112	10
22	SS #4 External Star Washer	K-13171	10

For ordering information, contact your authorized Swagelok representative.

\* Factory service only

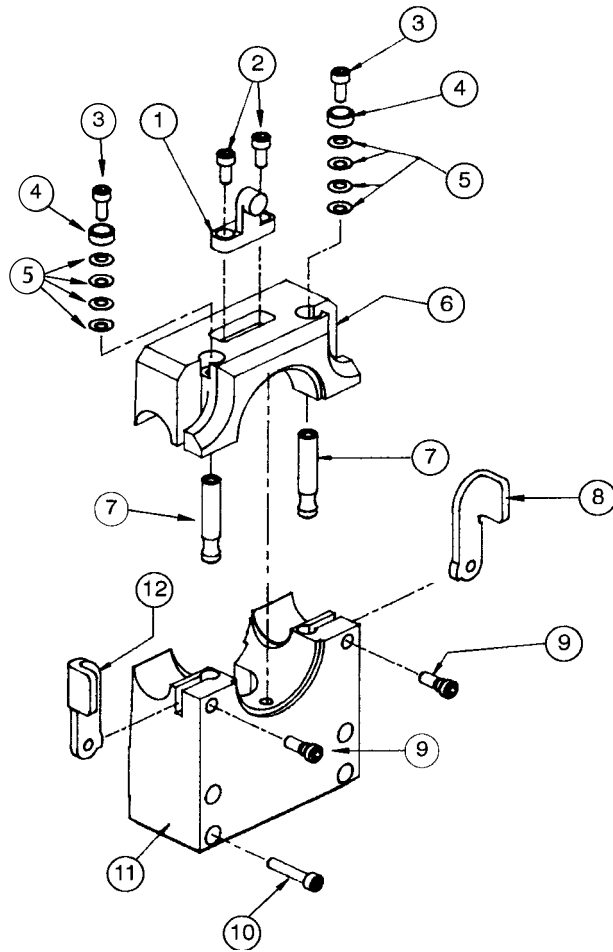


Figure 48 CWS-5FSP1 Special Purpose Fixture Block

Table 11 CWS-5FSP1 Special Purpose Fixture Block Parts List

Reference No.	Description	Ordering Number	Minimum Order Quantity
1	Locking Tab	K-12134	1
2	SS Socket Head Cap Screw, 4-40 × 0.250 in.	K-13112	10
3	SS Socket Head Cap Screw, 4-40 × 0.250 in.	K-13112	10
4	Plastic Spacer	K-13245	10
5	Bellville Spring Washer	K-13244	10
6	Top Side Plate	K-CWS-5FSP1-TOP	1
7	Cam Pin	K-12160-A	1
8	Right Latch Cam	K-12159	1
9	SS Set Screw, 10-32 × 0.420 in., modified	K-13224	1
10	SS Socket Head Cap Screw, 4-40 × 0.563 in.	K-13115	10
11	Bottom Side Plate	K-12162	1
12	Left Latch Cam	K-12158	1

For ordering information, contact your authorized Swagelok representative.

① Side Bar Assembly (Reference No. 2-9)

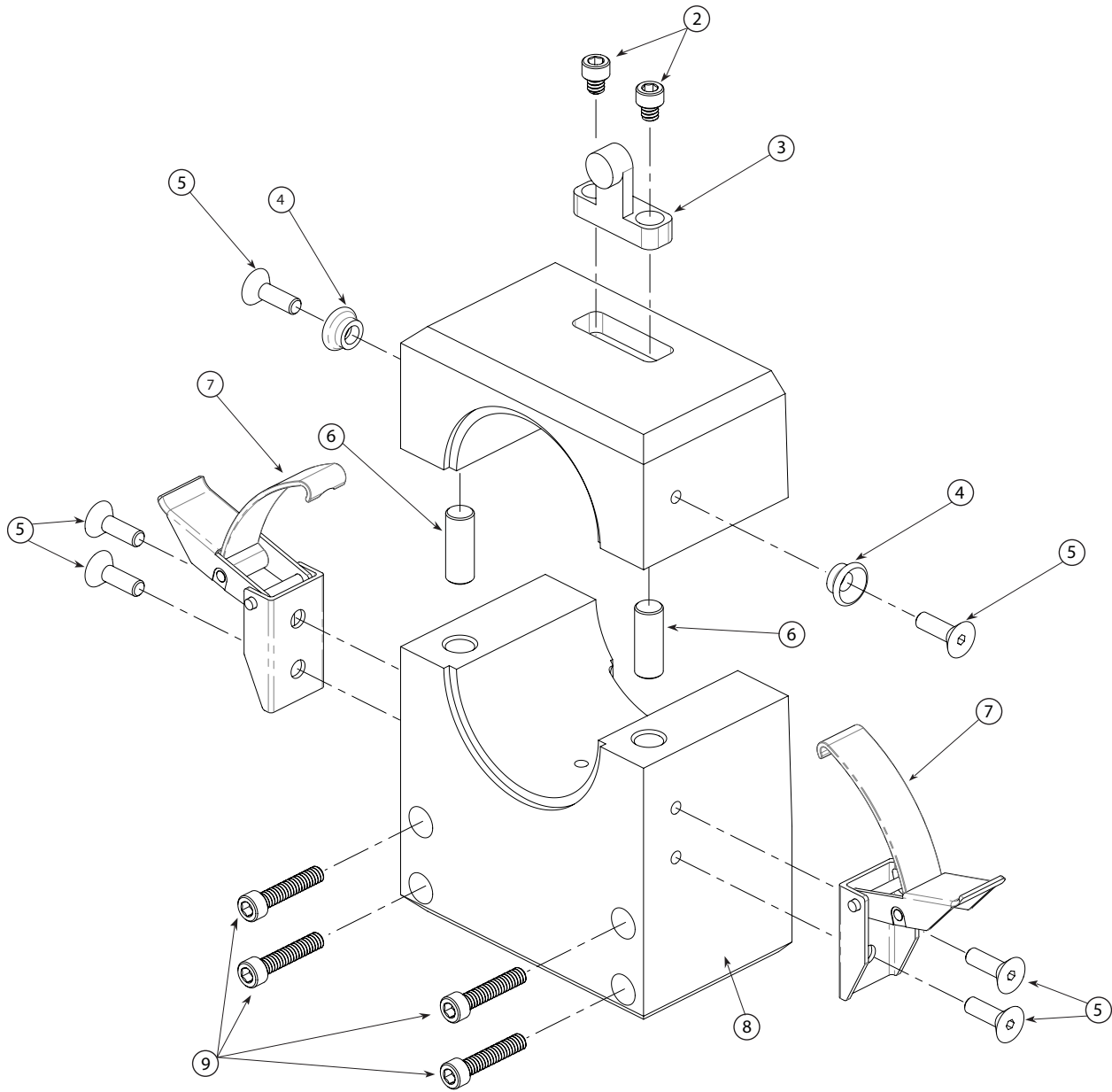


Figure 49 SWS-5FSP1-EX Special Purpose Fixture Block

Table 12 SWS-5FSP1-EX Special Purpose Fixture Block Part List

Reference No.	Description	Ordering Number	Minimum Order Quantity
1	Side Plate Assembly	SWS-5FSP1-EX	1
2	SS Socket Head Cap Screw, 4-40 x 0.125 in.	K-188-SCSA-112-40-125	10
3	Locking Tab	K-12134	1
4	Button Keeper	K-13300	10
5	SS Flat Head Screw, 4-40 x 0.375 in.	K-13108	10
6	Dowel Pin	*	*
7	Latch	K-11520	1
8	Bottom Side Plate	K-SWS-5FSP1-EX-BTM	1
9	SS Socket Head Cap Screw, 4-40 x 0.563 in.	K-13115	10

For ordering information, contact your authorized Swagelok representative.

\* Factory service only

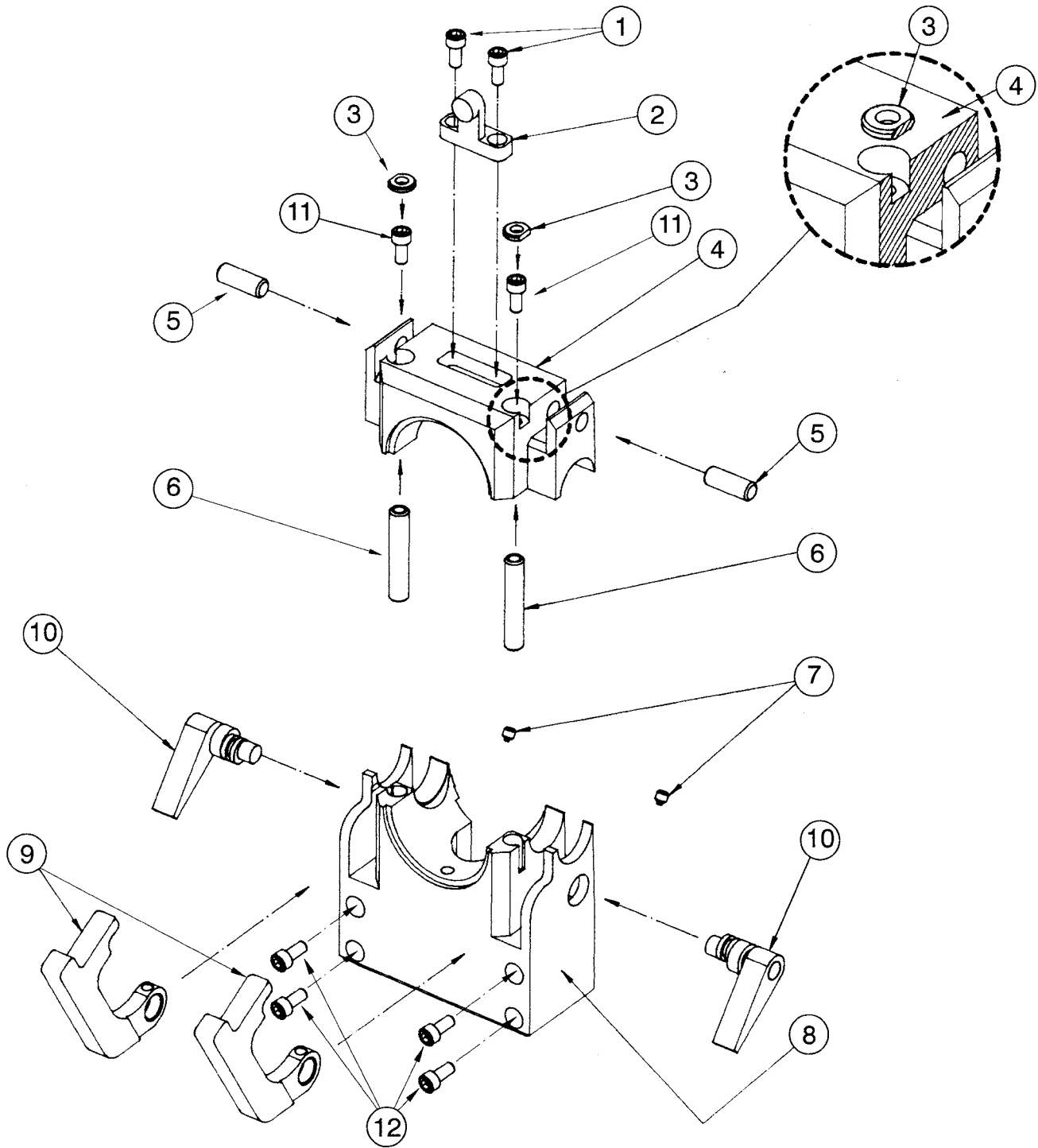


Figure 50 CWS-5FSP2 Special Purpose Fixture Block



Table 13 CWS-5FSP2 Special Purpose Fixture Block Part List

Reference No.	Description	Ordering Number	Minimum Order Quantity
1	SS Socket Head Cap Screw, 4-40 × 0.250 in.	K-13112	10
2	Locking Tab	K-12134	1
3	Plastic Screw Retainer	K-12169	10
4	Top Side Plate	K-CWS-5FSP2-TOP	1
5	Dowel Pin	*	*
6	Locator Pin	K-12168	1
7	SS Set Screw, 4-40 × 0.125 in.	K-12132	10
8	Bottom Side Plate	K-12166	1
9	Latch	K-12167	1
10	Lever Cam Assembly	K-12130-2	1
11	SS Socket Head Cap Screw, 4-40 × 0.250 in.	K-13112	10
12	SS Socket Head Cap Screw, 4-40 × 0.563 in.	K-13115	10

For ordering information, contact your authorized Swagelok representative.

\* Factory service only

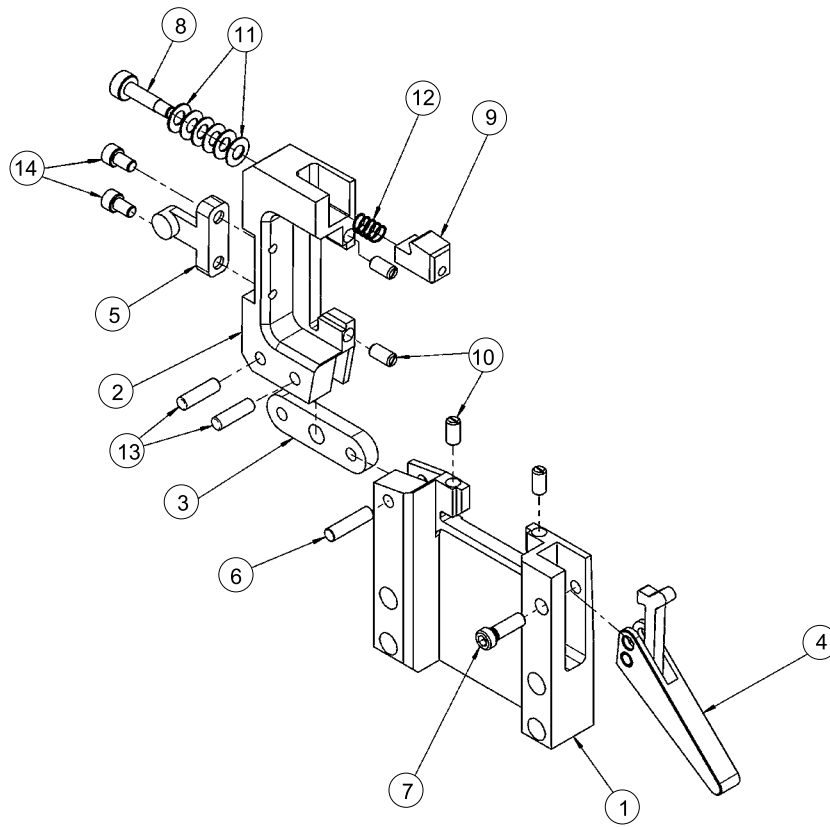


Figure 51 SWS-5FSP3L Side Plate

Table 14 SWS-5FSP3L Side Plate Parts List

Reference No.	Description	Ordering Number	Minimum Order Quantity
1	Bottom Side Plate	*	*
2	Top Side Plate	*	*
3	Hinge	*	*
4	Lever	K-21030	1
5	Locking Tab	K-12134	1
6	Dowel Pin	*	*
7	SS Set Screw, 4-40 × 0.495 in., modified	K-13226	10
8	SS Socket Head Shoulder Screw, 4-40 × 0.125 × 0.375 in.	K-13248	10
9	Catch	K-12122	1
10	Ball Plunger 5-40 × 0.250 in.	K-13246	10
11	Bellville Spring Washer	K-13247	10
12	Spring	K-MW-CSC-180-014-380-SG	10
13	Dowel Pin	*	*
14	SS Socket Head Cap Screw, 4-40 × 0.187 in.	K-13207	10

For ordering information, contact your authorized Swagelok representative.

\* Factory service only

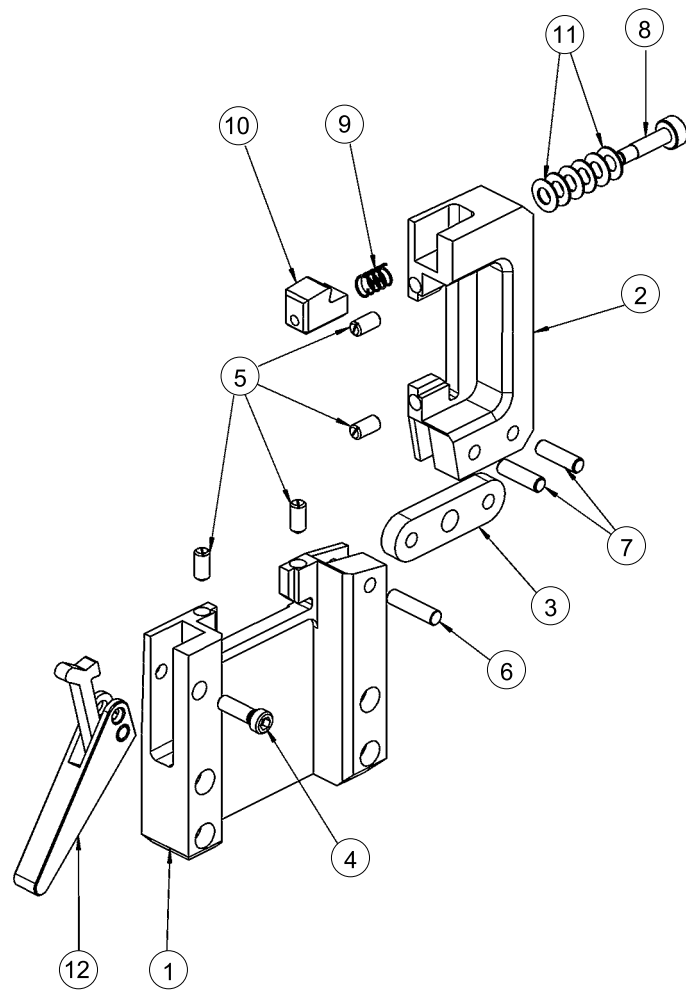


Figure 52 SWS-5FSP3R Side Plate

Table 15 SWS-5FSP3R Side Plate Parts List

Reference No.	Description	Ordering Number	Minimum Order Quantity
1	Bottom Side Plate	*	*
2	Top Side Plate	*	*
3	Hinge	*	*
4	SS Set Screw 10-32 × 0.495 in., modified	K-13226	10
5	Ball Plunger, 5-40 × 0.250 in.	K-13246	10
6	Dowel Pin	*	*
7	Dowel Pin	*	*
8	SS Socket Head Shoulder Screw, 4-40 × 0.125 × 0.375 in.	K-13248	10
9	Spring	K-MW-CSC-180-014-380-SG	10
10	Catch	K-12122	1
11	Bellville Spring Washer	K-13247	10
12	Lever	K-21030	1

For ordering information, contact your authorized Swagelok representative.

\* Factory service only

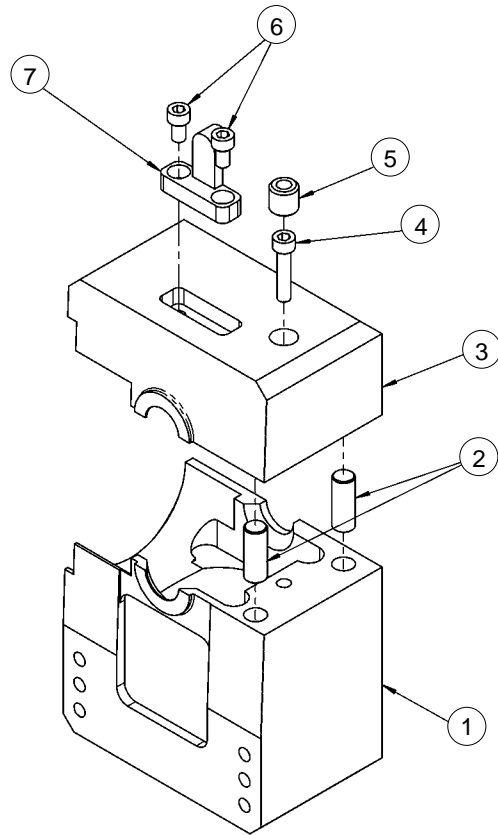


Figure 53 SWS-5FSP4L-XX Side Plate

Table 16 SWS-5FSP4L-XX Side Plate Parts List

Reference No.	Description	Ordering Number	Minimum Order Quantity
1	5FSP4L-XX Bottom	*	*
2	Dowel Pin	*	*
3	5FSP4L-XX Top	*	*
4	SS Socket Head Cap Screw, 4-40 × 0.500 in.	K-13163	10
5	Screw Retainer	K-12114	10
6	SS Socket Head Cap Screw, 4-40 × 0.187 in.	K-13207	10
7	Locking Tab	K-12134	1

For ordering information, contact your authorized Swagelok representative.

\* Factory service only

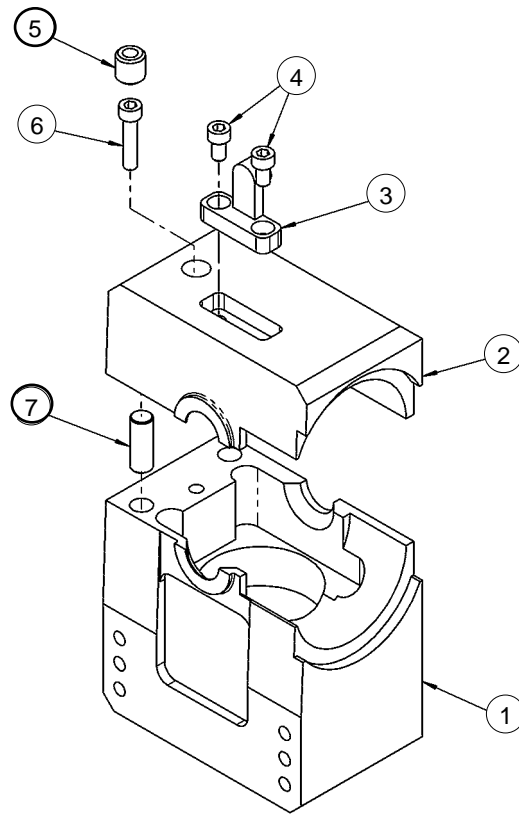


Figure 54 SWS-5FSP4R-XX Side Plate



Table 17 SWS-5FSP4R-XX Side Plate Parts List

Reference No.	Description	Ordering Number	Minimum Order Quantity
1	5FSP4R-XX Bottom	*	*
2	5FSP4R-XX Top	*	*
3	Locking Tab	K-12134	1
4	SS Socket Head Cap Screw, 4-40 × 0.187 in.	K-13207	10
5	Screw Retainer	K-12114	10
6	SS Socket Head Cap Screw, 4-40 × 0.500 in.	K-13163	10
7	Dowel Pin	*	*

For ordering information, contact your authorized Swagelok representative.

\* Factory service only

## **Warranty Information**

Swagelok products are backed by The Swagelok Limited Lifetime Warranty. For a copy, visit [swagelok.com](http://swagelok.com) or contact your authorized Swagelok representative.

# Serie 5

## Schweißkopf



Benutzerhandbuch

# Inhalt

<b>Schweißkop.</b> . . . . .	<b>61</b>
<b>Spannblock</b> . . . . .	<b>61</b>
<b>Auspacken der Schweißkopfkomponenten</b> . . . . .	<b>62</b>
<b>Installieren des Schweißkopfs</b> . . . . .	<b>63</b>
<b>Installieren der Elektrode im Schweißkopf</b> . . . . .	<b>64</b>
<b>Berechnung der Einstellungen der Lichtbogenprüflehre</b> . . . . .	<b>66</b>
<b>Einstellen der Lichtbogenlänge.</b> . . . . .	<b>67</b>
<b>Einspannen der Werkstücke</b> . . . . .	<b>72</b>
<b>Installieren der Spannfutter in einem Rohrspannblock</b> . . . . .	<b>73</b>
<b>Wartung</b> . . . . .	<b>82</b>
<b>Einzelteilzeichnungen</b> . . . . .	<b>91</b>

## Schweißkopf

Der Schweißkopf der Serie 5 des Swagelok Schweißsystems (SWS) liefert beständige, präzise Schweißungen für Außendurchmesser von 3 bis 17, 3 mm und 1/8 bis 5/8 Zoll.

Der Schweißkopf enthält einen Gleichstrommotor, der einen Rotor antreibt, der die Wolframelektrode um die Schweißstelle bewegt. Die optische Schaltung im Schweißkopf sendet präzises Feedback zur Stromversorgung zur Steuerung der Rotorgeschwindigkeit.

Alle beweglichen Teile im Schweißkopf sind in reibungsarmen Vorrichtungen montiert, um glatten, beständigen Betrieb zu gewährleisten.

Eine federbelastete, schwebende Bürste hat ununterbrochenen Kontakt mit etwa einem Drittel des Rotorumfangs. Diese Konfiguration gewährleistet eine beständige, gleichmäßige elektrische Leitfähigkeit zu Rotor und Elektrode.

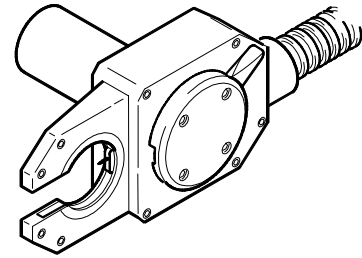


Abbildung 1 Schweißkopf Serie 5

## Spannblock

Der Spannblock der Serie 5 des SWS dient zur akkuraten Ausrichtung und Fixierung von Rohren, Fittings und Ventilkörpern. Aufgrund der modularen Konstruktion können Sie verschiedene Seitenplatten auswählen und die für Ihre Anwendung erforderliche Konfiguration erstellen.

Der Spannblock ist getrennt vom Schweißkopf, wodurch sich Werkstücke vor dem Schweißen leicht ausrichten und fixieren lassen. Durch die Verwendung mehrerer Spannblöcke lässt sich die Produktivität erhöhen.

Die Spannblöcke sind für verschiedene Werkstückgrößen konstruiert. In den Spannblock passt ein Universal-Spannfutter-einsatz (Universal Collet Insert (UCI)), der dem Durchmesser des Werkstücks entspricht. Die Spannfutterkonstruktion hält Rohre und Fittings fest, die bis zu  $\pm 0,13$  mm (0,005 Zoll) vom nominalen Außendurchmesser abweichen können. Die Spannfutter lassen sich schnell auswechseln, wodurch der Spannblock sehr anpassungsfähig für unterschiedliche Arbeitsanforderungen ist.

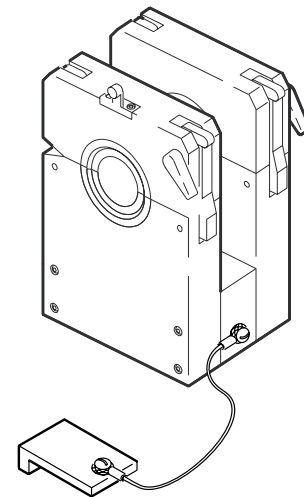


Abbildung 2 Spannblock Serie 5

## Auspacken der Schweißkopfkomponenten

Die folgenden Schweißkopfkomponenten sind in einem mit Schaumstoff ausgekleideten Versandbehälter verpackt.

- Schweißkopf
- Lichtbogenprüflehre
- Elektrodenpackung
- Werkzeugpaket.

Führen Sie nach Eintreffen des Swagelok Schweißkopfs der Serie 5 folgende Schritte durch:

1. Untersuchen Sie den Behälter auf Schäden.
2. Nehmen Sie die Komponenten aus dem Behälter.
3. Prüfen Sie die Artikel auf Schäden.
4. Prüfen Sie, dass die Seriennummer des Schweißkopfs mit der Seriennummer auf dem Versandbehälter übereinstimmt.
5. Notieren Sie die Modell- und die Seriennummer sowie die Lieferdaten auf der Seite *Registrierungsinformationen* der Bedienungsanleitung Ihrer Stromversorgung.

## Installieren des Schweißkopfs

Der Schweißkopf hat vier Anschlüsse, die in das Netzteil eingesteckt werden.

Die vier Anschlüsse am Kabel sind:

- Schweißkopf
- Elektrode (rot)
- Arbeit (grün)
- Schweißkopf-Schutzgas.

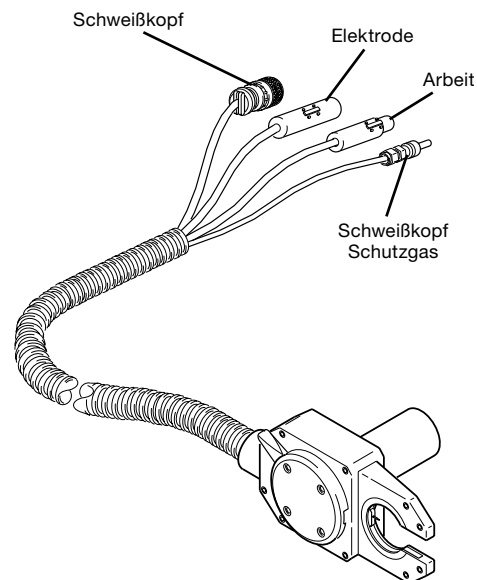


Abbildung 3 Schweißkopf

Schließen Sie die vier Anschlüsse folgendermaßen an der Seite des Netzteils an (siehe Abbildung 4):

1. Legen Sie den Schweißkopf bereit.
2. Richten Sie die Kerbe auf dem Vierteldrehungs-Anschluss mit der kleinen Nase in der mit WELD HEAD beschrifteten Buchse an der Seite des Netzteils aus. Führen Sie den Stecker in die Buchse ein. Drehen Sie die Steckermuffe mit der Hand im Uhrzeigersinn fest. Dieser Anschluss ist für die Steuerungssignale zum Antrieb des Schweißkopfs.
3. Führen Sie den roten Stecker ganz in die mit ELECTRODE beschriftete Buchse an der Seite des Netzteils ein. Drehen Sie den Stecker zur Befestigung um eine Vierteldrehung im Uhrzeigersinn. Dieser Anschluss ist der Minuspol (-) des Schweißkopfs.
4. Führen Sie den grünen Anschluss in die mit WORK beschrifteten Buchse an der Seite des Netzteils ein. Drehen Sie den Stecker zur Befestigung um eine Vierteldrehung im Uhrzeigersinn. Dieser Anschluss ist der Pluspol (+) des Schweißkopfs.
5. Führen Sie den Schutzgasanschluss des Schweißkopfs in den mit TO WELD HEAD beschrifteten Swagelok Schnellkupplungsstecker ein. Prüfen Sie, dass der Anschluss sicher befestigt ist. Dieser Anschluss versorgt den Schweißkopf durch einen Mengendurchflussregler (MFC) im Netzteil mit Schutzgas.

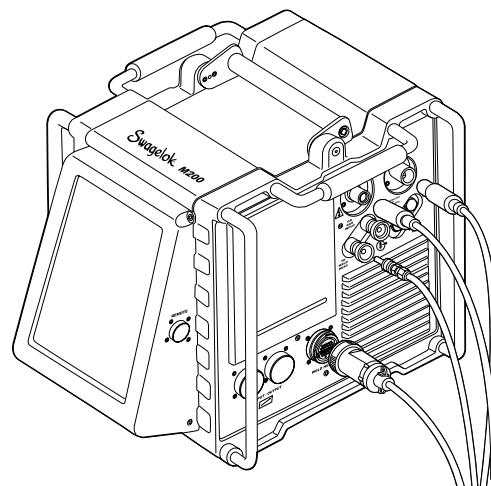


Abbildung 4 Schweißkopfanschlüsse



### Vorsicht!

Achten Sie darauf, dass der mehrpolige Anschluss fest eingesteckt und fest angezogen ist.

### Hinweis:

Der Schutzgasanschluss des Schweißkopfs muss ein „single-end shut-off“ (SESO (einseitig mit Absperrung)) Swagelok Schnellkupplungsstecker sein (SS-QC4-S-400).

## Installieren der Elektrode im Schweißkopf

Dieser Swagelok Schweißkopf wird mit verschiedenen Elektroden geliefert. Die folgende Anleitung zeigt, wie die Elektrode richtig im Schweißkopf installiert wird.

### Auswahl der richtigen Elektrode

Die Länge und der Durchmesser der Elektrode hängen von Ihrem Schweißkopfmodell und dem Außendurchmesser des zu schweißenden Werkstücks ab. Verwenden Sie die Tabelle zur Elektrodenauswahl, um die richtige Elektrode auszuwählen. Bei Verwendung der Funktion „Automatische Erstellung“ wird von der Stromversorgung M200 automatisch die passende Elektrode erstellt.

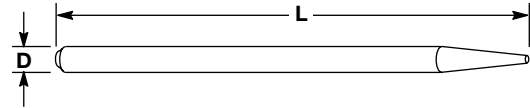


Abbildung 5 Elektrodenabmessungen

Tabelle 1 Tabelle zur Elektrodenauswahl

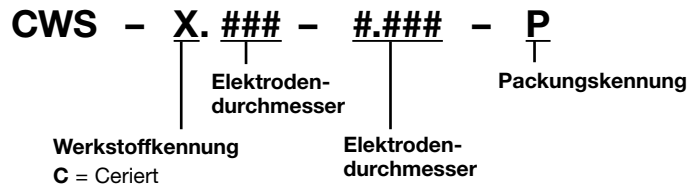
Teile-Nr. der Elektrode	Komponenten-AD	Elektrodenlänge (L) mm (Zoll)	Elektroden-durchmesser (D) mm (Zoll)
CWS-C.040.705-P	1/8 Zoll 3/16 Zoll 3 mm 1/4 Zoll	17,90 (0,705)	1,02 (0,040)
CWS-C.040-.605-P	5/16 Zoll 6 mm 8 mm	15,37 (0,605)	1,02 (0,040)
CWS-C.040-.555-P	3/8 Zoll 1/2 Zoll 10 mm 12 mm	14,10 (0,555)	1,02 (0,040)
CWS-C.040-.450-P	5/8 Zoll 15 mm	11,43 (0,450)	1,02 (0,040)
CWS-C.040-.405-P	16 mm 17,3 mm	10,29 (0,405)	1,02 (0,040)



## Elektrodengeometrie

Diese Abbildung zeigt die von Swagelok empfohlene Elektrodenform. Richtig geerdete Elektroden ermöglichen beständige, wiederholbare Schweißungen. Über Ihren Swagelok Vertreter können sie vorgeerdete Elektroden beziehen. Bestellinformationen finden Sie in Ihrer Teileliste.

Die Teilenummern für Elektroden setzen sich folgendermaßen zusammen:



Der cerierte Elektrodenwerkstofftyp besteht aus einer Mischung aus 98% Wolfram und 2% Cer und wird in der Regel als „2% ceriert“ bezeichnet. Dieser Elektrodentyp weist eine bessere Lichtbogenstartleistung im Vergleich zur 2% thorierten Elektrode auf, besonders bei der Verwendung von gereinigtem Schutzgas.

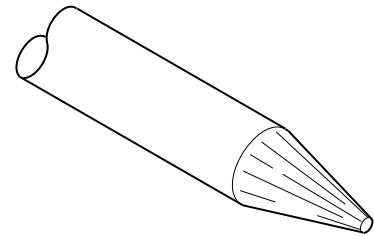
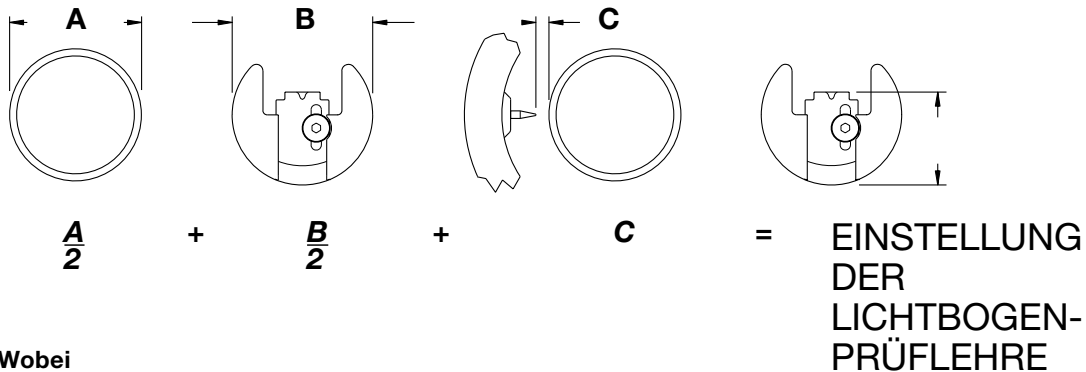


Abbildung 6 Wolframelektrode

## Berechnung der Einstellungen der Lichtbogenprüflehre

Verwenden Sie die untenstehende Formel zur Berechnung der Einstellung für eine spezifische Lichtbogenlänge.



### Wobei

A = der größte AD am Schweißende des Rohres oder Fittings (Schweißdurchmesser).

B = Durchmesser der Lichtbogenprüflehre

C = gewünschte Lichtbogenlänge

Abbildung 7 Berechnungsformel zur Einstellung der Lichtbogenprüflehre

### Beispiel 1: (Schweißkopf Serie 5)

1/4 an 1/4 Zoll Stumpfschweißende—

Größter Außendurchmesser	A = 0,253 Zoll
Durchmesser der Lichtbogenprüflehre	B = 1,244 Zoll
Gewünschte Lichtbogenlänge	C = 0,028 Zoll

$$\frac{0,253 \text{ Zoll}}{2} + \frac{1,244}{2} + 0,028 \text{ Zoll} = 0,777 \text{ Zoll}$$

### Beispiel 2: (Schweißkopf Serie 5)

6 an 6 mm Stumpfschweißende—

Größter Außendurchmesser	A = 6,081 mm
Durchmesser der Lichtbogenprüflehre	B = 31,60 mm
Gewünschte Lichtbogenlänge	C = 0,71 mm

$$\frac{6,081 \text{ mm}}{2} + \frac{31,60 \text{ mm}}{2} + 0,71 \text{ mm} = 19,551 \text{ mm}$$

## Einstellen der Lichtbogenlänge

Mit der richtigen Einstellung der Lichtbogenlänge lässt sich die Schweißung besser steuern und eine größere Beständigkeit erzielen. Die folgenden Schritte beschreiben die Einstellung der Lichtbogenlänge.

Zum Einstellen der Lichtbogenlänge wird die mit dem Schweißkopf gelieferte Lichtbogenprüflehre verwendet. Die Prüflehre wird auf die gewünschte Lichtbogenlänge eingestellt und dann in der Blende des Rotors installiert. Mit eingesetzter Lichtbogenprüflehre lässt sich die Elektrode mit ziemlicher Genauigkeit positionieren.

## Einstellen der Lichtbogenprüflehre

1. Die äußeren Durchmesser der zu schweißenden Werkstücke mit einem Messschieber oder Mikrometer abmessen. Siehe Abbildung 8 (A). Die Stromversorgung M200 berechnet die Einstellung der Lichtbogenprüflehre, wenn die Funktion „Automatische Erstellung“ verwendet wird.
2. Verwenden Sie die Tabellen auf Seite 68, um Ihren nominalen AD nachzuschlagen. Finden Sie den „tatsächlichen Durchmesser“, der Ihrer Messung am nächsten liegt.
3. Stellen Sie die Lichtbogenprüflehre so ein, dass sie der Einstellung auf den Tabellen auf Seite 68 entspricht. Siehe Abbildung 8(B).

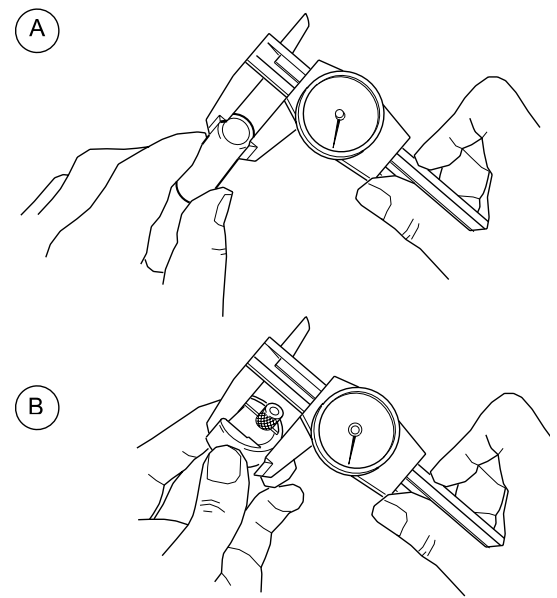


Abbildung 8 Einstellung der Lichtbogenprüflehre

Tabelle 2 SWS-5H Lichtbogenprüflehre 1,244 Zoll Durchmesser

Nominaler AD Zoll	Tatsächlicher AD Zoll	Einstellung für einen Lichtbogen von 0,025 Zoll Zoll	Einstellung für einen Lichtbogen von 0,030 Zoll Zoll	Einstellung für einen Lichtbogen von 0,035 Zoll Zoll	Einstellung für einen Lichtbogen von 0,040 Zoll Zoll	Einstellung für einen Lichtbogen von 0,045 Zoll Zoll	Einstellung für einen Lichtbogen von 0,050 Zoll Zoll	Einstellung für einen Lichtbogen von 0,51 mm mm	Einstellung für einen Lichtbogen von 0,64 mm mm	Einstellung für einen Lichtbogen von 0,89 mm mm	Einstellung für einen Lichtbogen von 1,02 mm mm
1/8	0.125	0.710	0.715	0.720	0.725	0.730	0.735	17,91	18,04	18,29	18,42
1/4	0.250	0.772	0.777	0.782	0.787	0.792	0.797	19,48	19,61	19,86	19,99
3/8	0.375	0.835	0.840	0.845	0.850	0.855	0.860	21,08	21,21	21,46	21,59
1/2	0.500	0.897	0.902	0.907	0.912	0.917	0.922	22,66	22,79	23,04	23,17
5/8	0.625	0.960	0.965	0.970	0.975	0.980	0.985	24,25	24,38	24,63	24,76

Tabelle 3 SWS-5H Lichtbogenprüflehre 31,60 mm

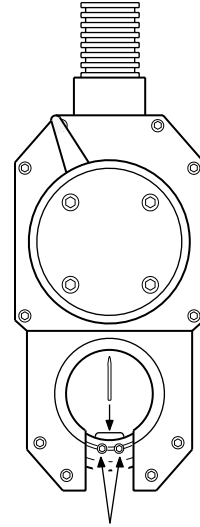
Nominaler AD mm	Tatsächlicher AD mm	Einstellung für einen Lichtbogen von 0,50 mm mm	Einstellung für einen Lichtbogen von 0,64 mm mm	Einstellung für einen Lichtbogen von 0,76 mm mm	Einstellung für einen Lichtbogen von 1,02 mm mm	Einstellung für einen Lichtbogen von 1,14 mm mm
3	3,00	17,80	17,94	18,06	18,19	18,32
6	6,00	19,30	19,44	19,56	19,69	19,82
8	8,00	20,30	20,44	20,56	20,69	20,82
10	10,00	21,30	21,44	21,56	21,69	21,82
12	12,00	22,30	22,44	22,56	22,69	22,82

Tabelle 4 SWS-5H ATW Lichtbogenprüflehre 31,60 mm (1,244 Zoll) Durchmesser

ATW Größe	Kragen-AD	Einstellung für einen Lichtbogen von 0,89 mm (0,035 Zoll)
1/4 Zoll	0,29 Zoll	0,801 Zoll
3/8 Zoll	0,41 Zoll	0,863 Zoll
1/2 Zoll	0,55 Zoll	0,931 Zoll
6 mm	7 mm	20,19 mm
8 mm	9 mm	21,20 mm
10 mm	11 mm	22,20 mm
12 mm	13,2 mm	23,32 mm

## Einführen der Elektrode in einen Rotor

1. Drücken Sie ohne befestigten Spannblock auf **ELECTRODE CHANGE (ELEKTRODENWECHSEL)** auf der Stromversorgung. Die Elektrode fährt in die Abbildung 9 angezeigte Position.
2. Lösen Sie die zwei Elektrodenklemmschrauben. Entfernen Sie die Elektrode, falls diese ausgewechselt wird.
3. Setzen Sie die neue Elektrode so ein, dass die scharfe Spitze nach außen zeigt. Ziehen Sie die Elektrodenklemmschrauben leicht an, um die Elektrode vorübergehend zu befestigen.
4. Stellen Sie die richtige Lichtbogenlänge mit der Lichtbogenprüflehre ein.



Elektrodenklemmschrauben

Abbildung 9 Elektrodeninstallation



### WARNUNG!

Nicht auf **START** drücken, während Sie die Elektrode berühren.



### Vorsicht!

Den Rotor nur betätigen oder bewegen, wenn eine Elektrode eingespannt ist.



### Vorsicht!

Der Rotor bewegt sich, wenn **ELECTRODE CHANGE (ELEKTRODENWECHSEL)** gedrückt wird. Der Rotor ist eine potentielle Klemmstelle.

## Einstellen der Lichtbogenlänge

1. Verwenden Sie **JOG** oder **ELEKTRODENWECHSEL**, um den Rotor zu positionieren. Damit erhalten Sie Zugang zu den Klemmschrauben der Elektrode.
2. Setzen Sie die Lichtbogenprüflehre in den Rotor ein. Siehe Abbildung 10 (A).
3. Neigen Sie den Schweißkopf nach oben. Lösen Sie die Elektrodenschraube, so dass die Elektrode auf die Prüflehrenoberfläche fallen kann. Siehe Abbildung 10 (B).
4. Ziehen Sie die Elektrodenklemmschrauben nur leicht fest, um die Elektrode zu befestigen. Entfernen Sie die Lichtbogenprüflehre
5. Drücken Sie **HOME** oder **ELEKTRODENWECHSEL**, um den Rotor wieder in die Ausgangsposition zu bringen.

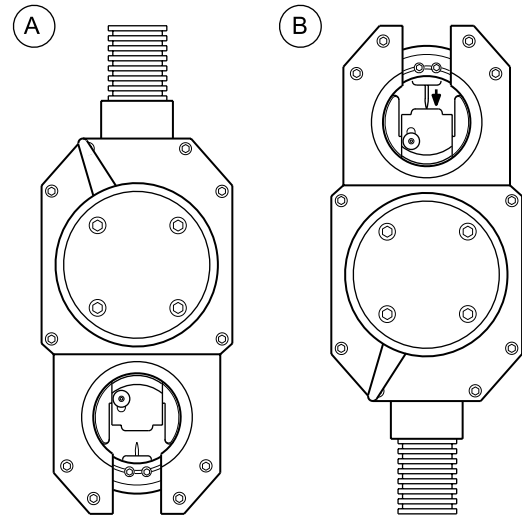


Abbildung 10 Einstellen der Lichtbogenlänge



**Vorsicht!**

Den Rotor nur betätigen oder bewegen, wenn eine Elektrode eingespannt ist.



**Vorsicht!**

Der Rotor bewegt sich, wenn **ELECTRODE CHANGE (ELEKTRODENWECHSEL)** gedrückt wird. Der Rotor ist eine potentielle Klemmstelle.

## Vorbereitung der Arbeit

Es ist wichtig, dass die Rohrstücke vor dem Schweißen richtig vorbereitet werden. Siehe Abbildung 11.

Die Rohre müssen rechtwinklig und gratfrei sein, um wiederholbare, hochwertige Schweißungen zu erhalten. Die Rohre mit einer Metallsäge oder einem Rohrschneider auf die richtige Länge zuschneiden. Die Rohre mit einer Drehbank oder einem tragbaren Rohrplandrehwerkzeug plandrehen. Die Enden entgraten und dabei sicherstellen, dass der Innen- und der Außendurchmesser rechtwinklig und gratfrei sind. Die Rohrenden mit einem geeigneten Lösungsmittel reinigen.

Befolgen Sie folgende Richtlinien und die Gefahr von Schweißungen schlechter Qualität zu verringern:

- Die Rohrenden müssen rechtwinklig sein.
- Die Wandstärkenvariation der Rohrenden darf maximal  $\pm 15\%$  der Nennwandstärke über den Nennwert hinaus betragen.
- Die Rohrenden müssen gratfrei sein.
- Die Rohrenden müssen frei von Rost, Fett, Öl, Farbe oder anderen Verunreinigungen der Oberfläche sein.

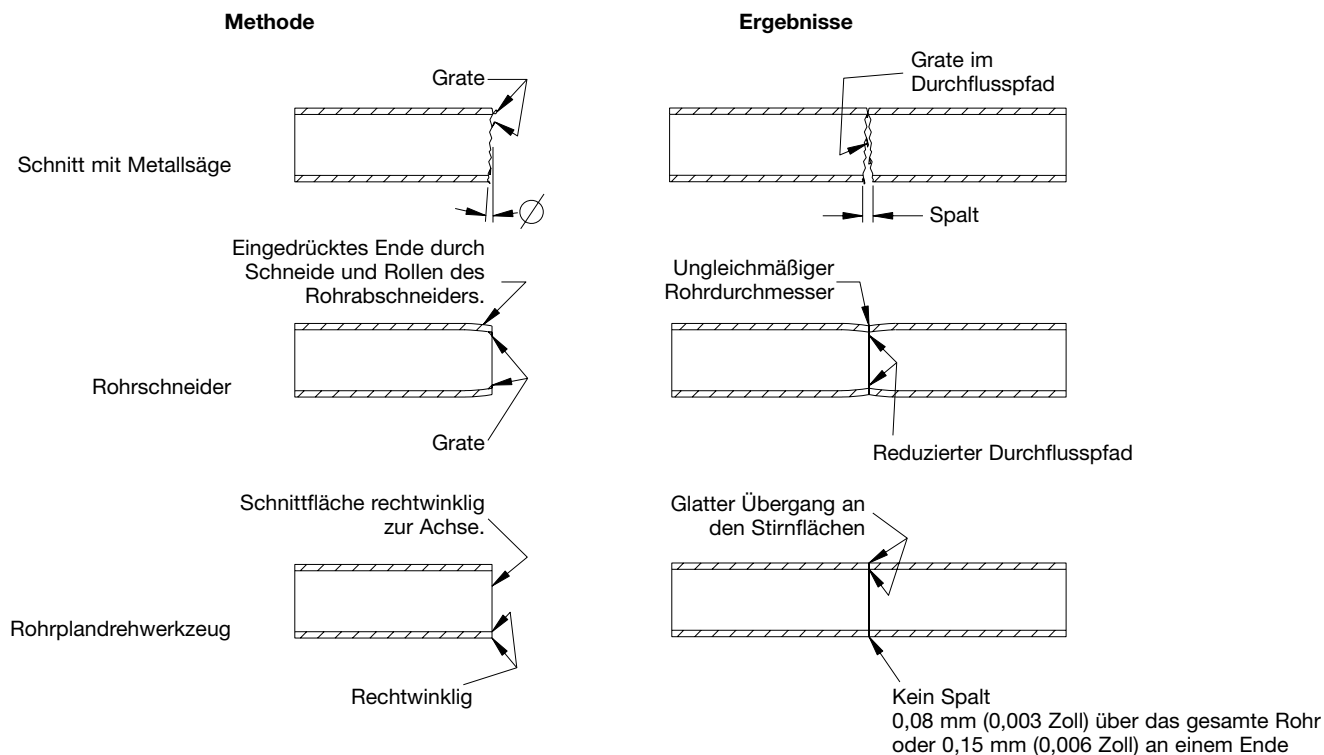


Abbildung 11 Rohrvorbereitung

## Einspannen der Werkstücke

Wählen Sie den passenden Spannblock aus oder konfigurieren Sie ihn.  
Wählen sie die Spannfutter passend für den Außendurchmesser des Werkstücks aus.

### Auswahl von Spannblock und Spannfutter

1. Wählen Sie den Spannblock passend für den Außendurchmesser des zu schweißenden Rohrs aus.

Tabelle 5 – Spannblock

Modell	AD-Kapazität	Mindestlänge der Schweißverlängerung
CWS-5TFB	3 bis 17,3 mm; 1/8 bis 5/8 Zoll	19 mm, 3/4 Zoll
CWS-5FSP1	1/4 Zoll	Zur Verwendung beim Schweißen von VCR® oder VCO® Fittings mit unverlierbaren Druckschrauben oder Überwurfmutter mit Verlängerungen unter 19 mm, 3/4 Zoll.
SWS-5FSP1-EX	1/2 Zoll	Zur Verwendung beim Schweißen von VCR-Fittings mit unverlierbaren Druckschrauben mit einer Gesamtfittinglänge unter 45,5 mm, 1,79 Zoll oder mit unverlierbaren Überwurfmutter mit einer Gesamtfittinglänge bis 28,4 mm, 1,12 Zoll.
CWS-5FSP2	6 bis 12 mm; 1/8 bis 1/2 Zoll	Zum Halten von Micro-Fit®-Fittings mit einer Verlängerungslänge von 6 mm, 1/4 Zoll
SWS-5FSP3L	3 bis 12 mm; 1/8 bis 1/2 Zoll	Zum Halten bestimmter Ventile mit einer Verlängerungslänge von 12 mm, 1/2 Zoll
SWS-5FSP3R		
SWS-5FSP4L	6 bis 9 mm; 1/4 bis 3/8 Zoll	Zum Halten der Swagelok Ventile BN, DL, DS, HD, DA und DP mit einer Verlängerungslänge von 6 mm, 1/4 Zoll
SWS-5FSP4V		

Die Rohrverlängerung ist die Mindestlänge an Rohr, die erforderlich ist, um eine Schweißstelle in der Mitte des Spannblocks zu schaffen.

2. Wählen Sie die passenden Spannfutter für den Durchmesser der zu schweißenden Teile aus.

Tabelle 6 – Spannfutter

Modell	AD-Kapazität	Anmerkungen
CWS-5UCI-X <sup>①</sup>	3 bis 17,3 mm; 1/8 bis 5/8 Zoll	Rohre Für metrische Größen die Kennung „mm“ anfügen.
CWS-5UFCI-.95	entf.	Spannfutter für Adaptereinsätze für die Seitenplatte CWS-5FSP1.
CWS-5UFCI-X <sup>①</sup>	3 bis 16 mm; 1/8 bis 5/8 Zoll	Rohrspannbacke für 5FSP1 und 5FSP2
SWS-5UFCI-EX-.95	entf.	Spannfutter für Adaptereinsätze, die für VCR- und VCO-Fittings bis 1/4 Zoll für die Seitenplatte SWS-5FSP1-EX verwendet werden
CWS-5MWCI-04	6 mm, 1/8 Zoll und 1/4 Zoll	Zum Halten bestimmter Ventile mit einer Verlängerungslänge von 12 mm, 1/2 Zoll
CWS-5MWCI-06	8 und 10 mm 3/8 Zoll	Für Micro-Fit-Fittings
CWS-5MWCI-08	12 mm, 1/2 Zoll	Für Micro-Fit-Fittings
SWS-5F3UCI-X <sup>①</sup>	6, 8 und 10 mm; 1/8 bis 1/2 Zoll	Für Ventile

① Wobei X die Spannfuttergröße in 1/16 Zoll oder metrisch (Anhang „mm“) angibt.



## Installieren der Spannutter in einem Rohrspannblock

1. Die beiden Hebel lösen und den Rohrspannblock öffnen. Siehe Abbildung 12.
2. Die Spannutterhälften in der oberen und der unteren Seitenplatte einsetzen und die Spannutterschrauben festziehen. Sicherstellen, dass die Spannbacke bündig mit der Seitenplatte abschließt. Siehe Abbildung 13 (B).

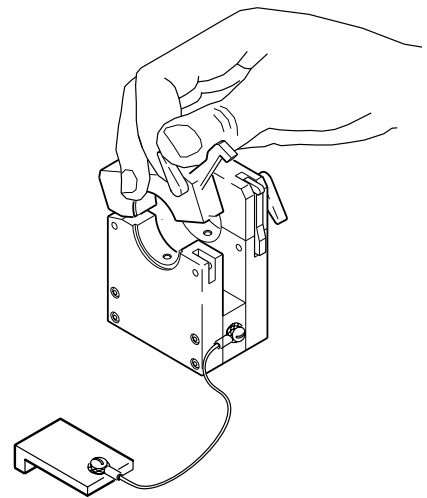


Abbildung 12 Öffnen des Spannblocks

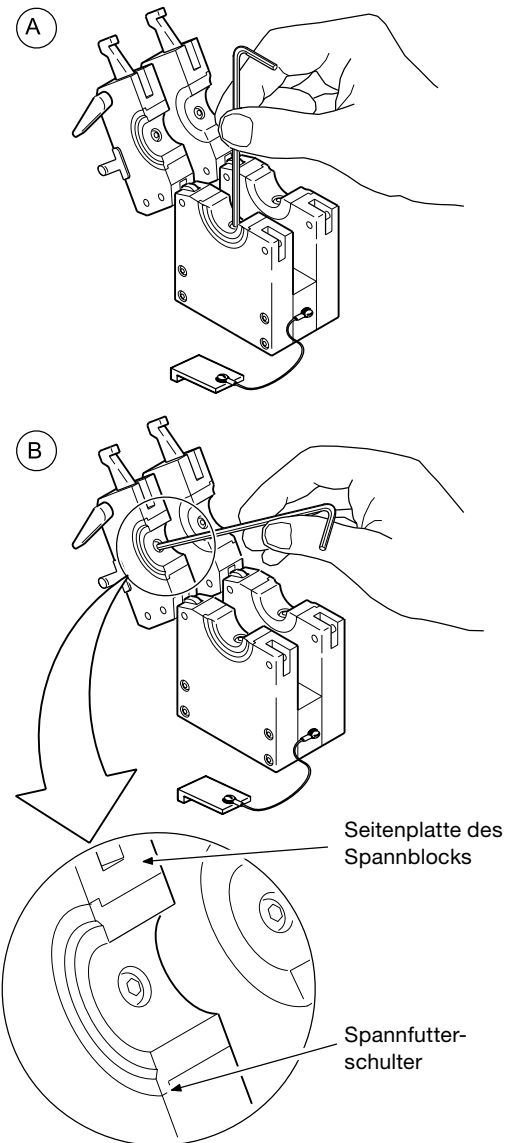


Abbildung 13 Installieren der Spannutter

### Ausrichten der Werkteile Werkstücke im Spannblock

1. Platzieren Sie die Zentrierlehre in eine Seite des Spannblocks. Die Zentrierlehr muss die Breite der Spannbacke umfassen. Siehe Abbildung 14.
2. Legen Sie eines der Werkstücke an die Zentrierlehre an. Siehe Abbildung 15 (A).
3. Schließen Sie die obere Seitenplatte. Siehe Abbildung 15 (B).
4. Entfernen Sie die Zentrierlehre.

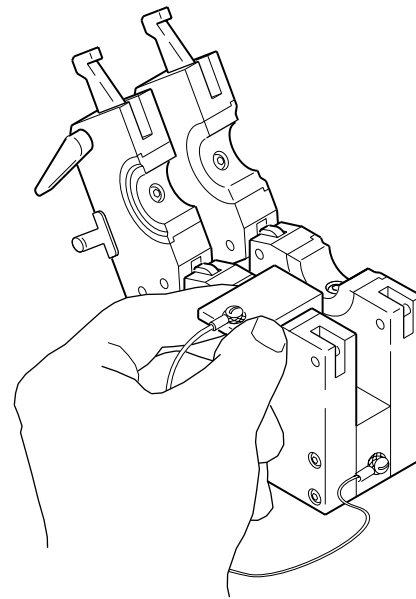


Abbildung 14 Platzierung der Zentrierlehre

*Hinweis:*  
Beim Schweißen eines Swagelok ATW-Fittings an ein Rohr das Rohr zuerst an die Zentrierlehre anlegen.

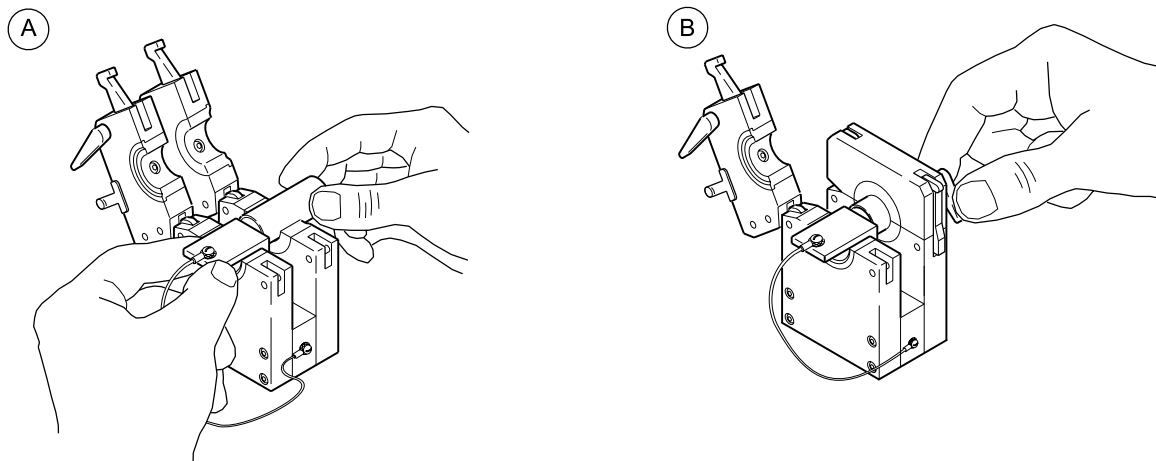


Abbildung 15 Das erste Werkstück in den Spannblock einlegen

5. Legen Sie das zweite Werkstück an das erste Werkstück an und Schließen Sie die obere Seitenplatte. Siehe Abbildung 16.
6. Untersuchen Sie die Passung und die Ausrichtung der Schweißverbindung ringsum. Falls die Ausrichtung nicht korrekt ist, gehen Sie zum nächsten Abschnitt.

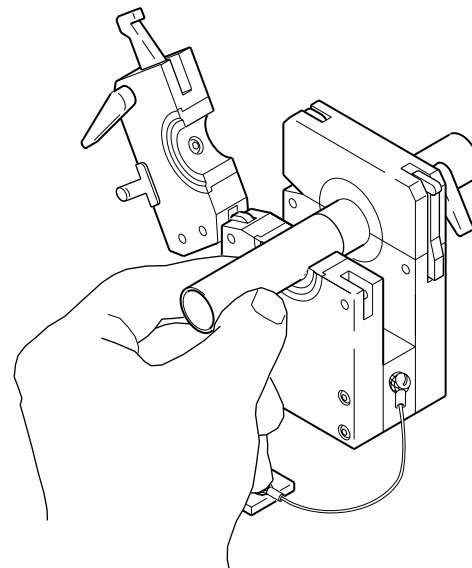


Abbildung 16 Platzierung des zweiten Werkstücks

### Anpassen des Spannblocks

Die modulare Konstruktion des Spannblocks der Serie 5 ermöglicht, dass der Block für eine Vielzahl von Schweißanforderungen angepasst werden kann.

Um die genaue Ausrichtung der Werkstücke im Spannblock beizubehalten, müssen die Seitenplatten gelegentlich ausgerichtet werden.

Dieser Abschnitt beschreibt:

- Rohr zu Rohr
- Micro-Fit-Fitting zu Rohr
- Micro-Fit-Fitting zu Micro-Fit-Fitting

### Spannblock für Rohr zu Rohr

Gehen Sie zur Ausrichtung des Spannblocks folgendermaßen vor:

1. Drehen Sie den Spannblock um und beachten Sie die Richtungspfeile auf dem Plenum. Die Pfeile zeigen zur passenden Seitenplatte. Siehe Abbildung 17.
2. Lösen Sie die vier Inbusschrauben in der passenden Seitenplatte mit dem mitgelieferten 3/32 Zoll Inbusschlüssel so weit, dass sie sich vom Plenum lösen lässt. Siehe Abbildung 17, um die passende Seitenplatte zu finden.
3. Drehen Sie den Spannblock um, so dass er aufrecht steht, lösen Sie beide Hebel und öffnen Sie beide Seiten des Spannblocks.

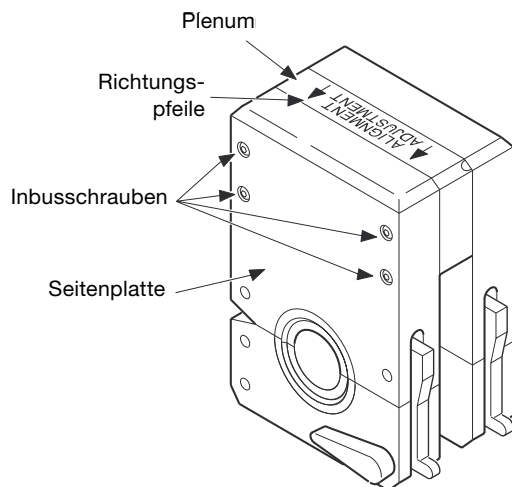


Abbildung 17 Lockern der Seitenplatte

4. Platzieren Sie ein gerades Rohrstück (Mindestlänge 38,1 mm [1,50 Zoll]) in die Spannhalter, so dass es auf beiden Seitenplatten aufliegt.
5. Schließen und verriegeln Sie die nicht justierbare Seitenplatte. Siehe Abbildung 18.
6. Schließen Sie das Oberteil der gelockerten Seitenplatte.
7. Ziehen Sie die vier Inbusschrauben an der gelockerten Seitenplatte fest. Achten Sie darauf, dass die Schrauben gleichmäßig festgezogen werden, damit die Seitenplatte nicht verrutscht.
8. Öffnen Sie die Seitenplatten und nehmen Sie das Rohrstück heraus.

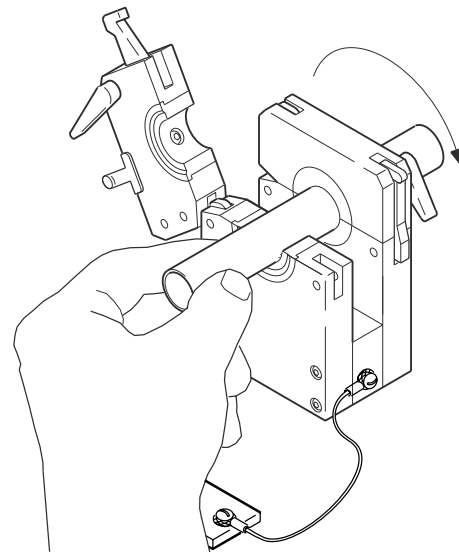


Abbildung 18 Platzierung des Rohrs

### Spannblock für Micro-Fit-Fitting zu Rohr

Gehen Sie zur Ausrichtung des Spannblocks folgendermaßen vor:

1. Drehen Sie den Spannblock um und beachten Sie die Richtungspfeile auf dem Plenum. Die Pfeile zeigen zur passenden Seitenplatte. Siehe Abbildung 19.
2. Lösen Sie die vier Inbusschrauben in der passenden Seitenplatte mit dem mitgelieferten 3/32 Zoll Inbusschlüssel so weit, dass sie sich vom Plenum lösen lässt. Siehe Abbildung 19, um die passende Seitenplatte zu finden.
3. Drehen Sie den Spannblock um, so dass er aufrecht steht, lösen Sie den Hebel, und öffnen Sie das Oberteil der Rohrseitenplatte.
4. Wählen und installieren Sie eine Spannbacke für das Rohr, das dem Außendurchmesser der Micro-Fit-Fitting entspricht.

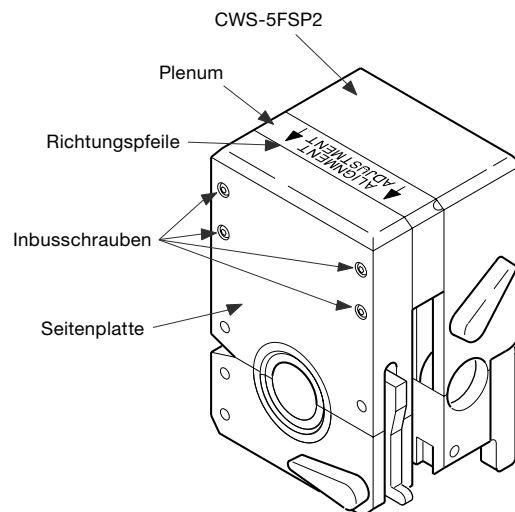


Abbildung 19 Lockern der Seitenplatte

5. Entriegeln und entfernen Sie die Oberseite der CWS-5FSP2 Seitenplatte. Siehe Abbildung 20.
6. Verwenden Sie die Zentrierlehre, legen Sie ein gerades Rohrstück (Mindestlänge 19,1 mm [0,75 Zoll]) in die Rohrseitenplatte ein und verriegeln Sie die Oberseite der Platte.

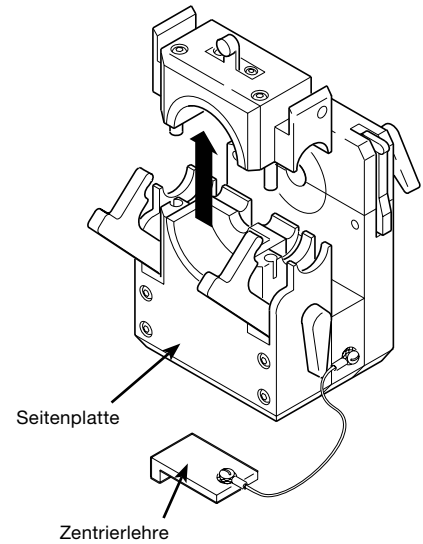


Abbildung 20 Entfernen des Oberteils der Seitenplatte

7. Legen Sie den Micro-Fit-Fitting in die Fittingseitenplatte ein und schließen und verriegeln Sie die Oberseite.
8. Richten Sie den Micro-Fit-Fitting mit dem Rohr aus. Siehe Abbildung 21.
9. Behalten Sie die Ausrichtung zwischen Fitting und Rohr bei und ziehen Sie die vier Inbusschrauben an der justierbaren Seitenplatte bei. Achten Sie darauf, dass die Schrauben gleichmäßig festgezogen werden, damit die Seitenplatte nicht verrutscht.

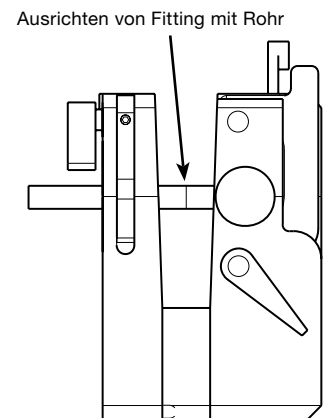


Abbildung 21 Ausrichten des Micro-Fit-Fittings mit dem Rohr

## Spannblock für Micro-Fit-Fitting zu Micro-Fit-Fitting

Gehen Sie zur Ausrichtung des Spannblocks folgendermaßen vor:

1. Drehen Sie den Spannblock um und beachten Sie die Richtungspfeile auf dem Plenum. Die Pfeile zeigen zur passenden Seitenplatte. Siehe Abbildung 22.
2. Lösen Sie die vier Inbusschrauben in der passenden Seitenplatte mit dem mitgelieferten 3/32 Zoll Inbusschlüssel so weit, dass sie sich vom Plenum lösen lässt. Siehe Abbildung 22, um die passende Seitenplatte zu finden.

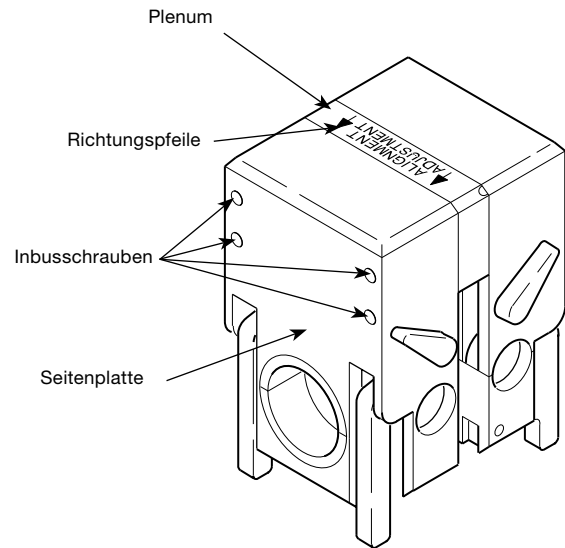


Abbildung 22 Lockern der Seitenplatte

3. Drehen Sie den Spannblock in die aufrechte Position und entfernen Sie die Oberteile der Seitenplatten CWS-5FSP2. Siehe Abbildung 23.
4. Verwenden Sie die Zentrierlehre und legen Sie einen Micro-Fit-Fitting in eine der Seitenplatten ein.
5. Bringen Sie dieses Oberteil der Seitenplatte wieder an.
6. Setzen Sie den zweiten Micro-Fit-Fitting in die andere Seitenplatte ein und schließen Sie das Oberteil.

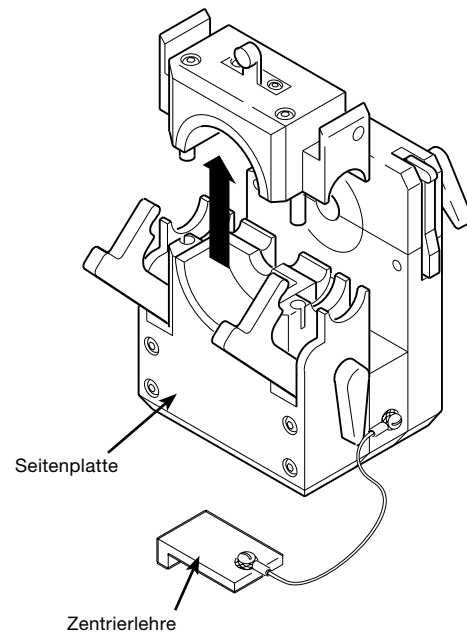


Abbildung 23 Entfernen des Oberteils der Seitenplatte

7. Richten Sie die beiden Micro-Fit-Fittings durch Justieren der lockeren Seitenpatte miteinander aus. Siehe Abbildung 24.
8. Behalten Sie die Ausrichtung zwischen Fitting und Fitting bei und ziehen Sie die vier Inbusschrauben an der justierbaren Seitenplatte an. Achten Sie darauf, dass die Schrauben gleichmäßig festgezogen werden, damit die Seitenplatte nicht verrutscht.

Ausrichten von Fitting mit Fitting

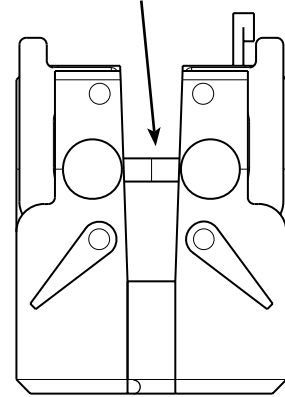


Abbildung 24 Ausrichten der Micro-Fit-Fittings

### Verbinden des Schweißkopfs mit dem Spannblock

1. Den Verriegelungshebel am Schweißkopf bis zum Anschlag entgegen dem Uhrzeigersinn drehen. Siehe Abbildung 25.
2. Schweißkopf in den Spannblock einführen. Siehe Abbildung 26 (A).
3. Den Verriegelungshebel im Uhrzeigersinn drehen, um den Schweißkopf zu befestigen. Siehe Abbildung 26 (B).

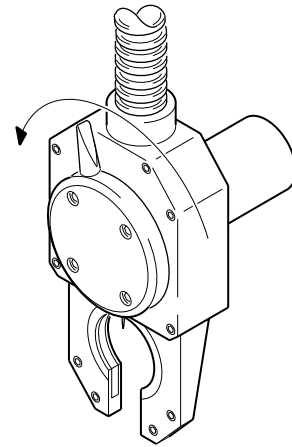


Abbildung 25 Verriegelungshebel lösen

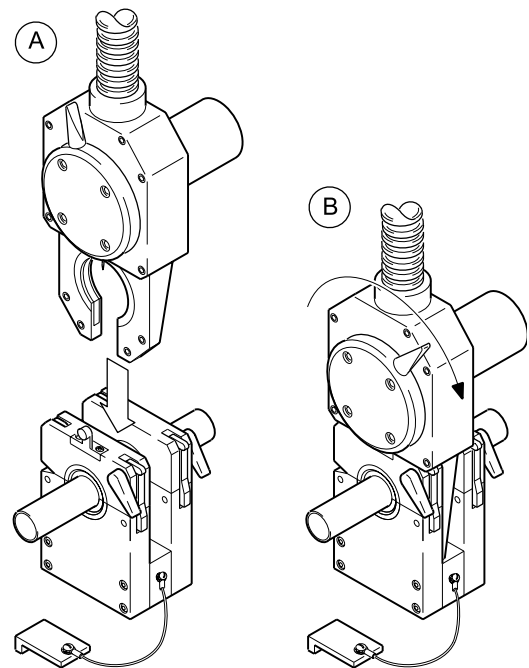


Abbildung 26 Verbinden des Schweißkopfs mit dem Spannblock



## Bedienung des Schweißkopfs

Bedienen Sie den Schweißkopf unter Verwendung der folgenden Parameter:

<b>Schutzgasdurchfluss, std L/min (std ft<sup>3</sup>/hr)</b>	4,7 bis 9,5 ① (10 bis 20)
<b>Mindestvorspülzeit und -nachspülzeit in Sekunden</b>	20 ②
<b>Maximale empfohlene durchschnittliche Stromstärke</b>	55 Amp. bei 50 % Arbeitszyklus ③ 70 Amp. bei 35 % Arbeitszyklus

① Stellen Sie den Durchfluss auf eine höhere Geschwindigkeit ein, wenn das Schweißen bei hohen Stromstärken erfolgt.

② Der Durchfluss sollte beim Schweißen bei hohen Stromstärken zum Kühlen ununterbrochen sein.

③ Bei der Verwendung von optionalen Schweißkopfverlängerungskabeln kann die Ausgangsstromstärke reduziert werden.

## Wartung

Um sicherzustellen, dass sich Ihr Swagelok Schweißsystem (SWS) immer in betriebsbereitem Zustand befindet, müssen die Systemkomponenten regelmäßig gewartet werden.

In diesem Abschnitt werden die Wartungsverfahren für die Spannblöcke und den Schweißkopf beschrieben.

Detaillierte Zeichnungen der Teile und Informationen finden Sie im Abschnitt Einzelteilzeichnungen am Ende dieses Handbuchs.

Der Spannblock sollte täglich und alle 1.000 bis 1.200 Schweißungen durchgeführt werden.

Je nach Verwendung und Abnutzung kann die Wartung jeweils vor der 1.000sten Schweißung durchgeführt werden.

**Hinweis:**

*Falls es beim Durchführen der Verfahren dieses Abschnitts zu Problemen kommt, gehen Sie zum Abschnitt Fehlersuche im Benutzerhandbuch für die Stromversorgung oder wenden Sie sich an Ihren autorisierten Swagelok Vertreter.*

**Hinweis:**

*Defekte Teile austauschen. Ersatzteile sind über Ihren autorisierten Swagelok Vertreter erhältlich.*

## Tägliche Wartung des Spannblocks

Zu Beginn jedes Arbeitstags:

1. Untersuchen Sie den Spannblock auf Sauberkeit, Abnutzung und Beschädigungen. Siehe Abbildung 27.
2. Entfernen Sie Schmutz-, Kohlenstoff- und Dampfablagerungen mit einem sauberen, weichen Tuch vom Spannblock. Es kann ein Lösungsmittel, beispielsweise Alkohol oder Aceton verwendet werden. Entfernen Sie stärkere Ablagerungen mit einem feinkörnigen Schleifkissen.

Reinigen Sie den Spannblock am Ende jedes Arbeitstages und bewahren Sie ihn an einem trockenen Ort auf.

## Tägliche Wartung des Spannblocks

Alle 1.000 bis 1.200 Schweißungen:

1. Spannfutter untersuchen und reinigen. Siehe Abbildung 27 (A).
2. Auf Kratzer und Dellen untersuchen.
3. Schmutz und Oxide mit einer weichen Edelstahlbürste von allen Oberflächen der Spannbacke entfernen.
4. Oxide von den nicht-eloxierten aufeinandertreffenden Oberflächen der Seitenplatten mit einem feinkörnigen Schleifkissen entfernen. Siehe Abbildung 27 (B).
5. Schmutz und Oxide von den Innenflächen der Seitenplatten mit einem sauberen, weichen Tuch entfernen. Siehe Abbildung 27 (C). Entfernen Sie stärkere Ablagerungen mit einem feinkörnigen Schleifkissen.
6. Hebelnocke und Riegel auf leichtgängigen Betrieb überprüfen. Siehe Abbildung 28.
  - a. Entfernen Sie die Hebelnocke, indem Sie die Stellschraube vom Riegel entfernen und die Hebelnocke vom Spannblock abziehen.
  - b. Hebelnocke reinigen und gegebenenfalls leicht schmieren.
  - c. Stellschraube wieder anbringen und sicherstellen, dass Sie fest angezogen ist.
7. Sicherstellen, dass der Spannblock das Werkstück richtig festhält.
  - a. Die Spannfutter in eine Seite des Spannblocks einbauen.
  - b. Rohr in Nenngroße einlegen und den Spannblock mit den Hebelnocken schließen.
  - c. Sicherstellen, dass sich das Rohr in den Spannfuttern nicht dreht.
  - d. Sicherstellen, dass das Rohr in den Spannfuttern nicht seitlich hin und her rutscht.
  - e. Sicherstellen, dass sich das Rohr in den Spannfuttern nicht von oben nach unten oder von links nach rechts bewegen kann.
  - f. Für die andere Seite des Spannblocks wiederholen.

Kontaktieren Sie Ihren autorisierten Swagelok Vertreter, um den Spannblock zur Reparatur einzuschicken.

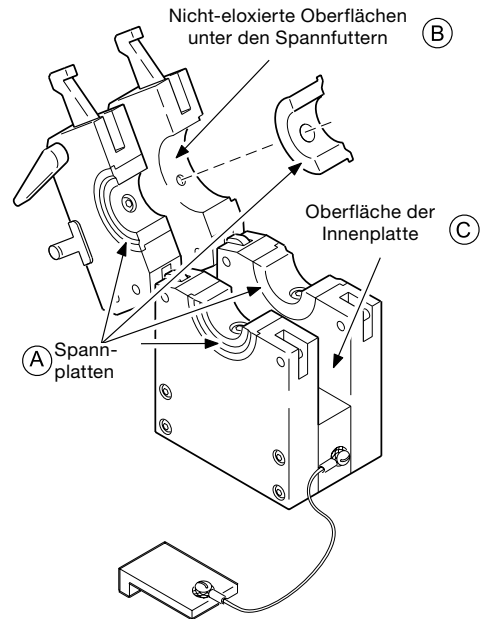


Abbildung 27 Reinigen der Spannfutter und der Spannfutter-Montageflächen

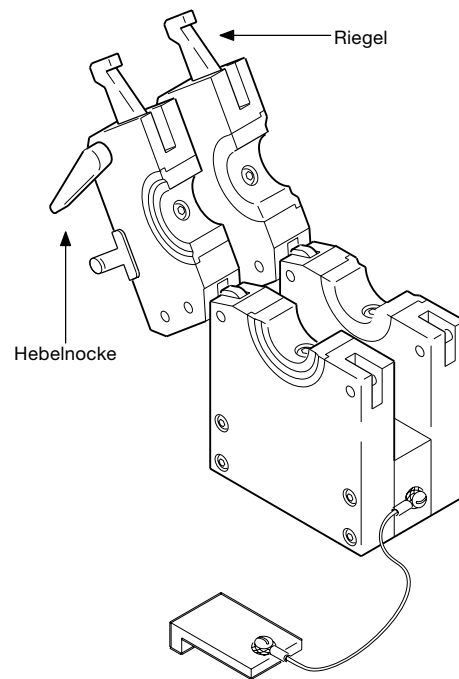


Abbildung 28 Hebelnocke und Riegel

### Hinweis:

Bei Abnutzung oder Schäden oder, falls der Spannblock das Werkstück nicht richtig festhält, sollte der Spannblock nicht verwendet werden.

## Tägliche Wartung des Schweißkopfs

Der Schweißkopf sollte täglich und alle 1.000 bis 1.200 Schweißungen gewartet werden. Je nach Verwendung und Abnutzung kann die Wartung jeweils vor der 1.000sten Schweißung durchgeführt werden.

Zu Beginn jedes Arbeitstags:

1. Den Schweißkopf auf Sauberkeit überprüfen. Dabei besonders auf den Rotorbereich achten.
2. Drücken Sie **JOG**. Rotor auf einen ruckfreien Betrieb hin überprüfen. Drücken Sie JOG, um die Rotorbewegung anzuhalten. Falls die Drehung ungleichmäßig oder laut ist, den Schweißkopf auseinanderbauen und Rotor, Getriebe und Bürste reinigen. Siehe **Schweißkopf-Demontage und -Reinigung**.
3. Drücken Sie **HOME**, um den Rotor in die Ausgangsposition (HOME) zu bringen.

Am Ende jedes Arbeitstags:

1. Schmutz-, Kohlenstoff- und Dampfablagerungen mit einem sauberen, weichen Tuch und einem Lösungsmittel (beispielsweise Isopropanol) vom Schweißkopf entfernen.
2. Den Schweißkopf an einem sauberen, trockenen Ort aufbewahren.



### WARNUNG!

Entfernen Sie vor einer Veränderung sowie vor der Wartung das **WORK-** und das **ELECTRODE-Kabel** von der Stromversorgung.

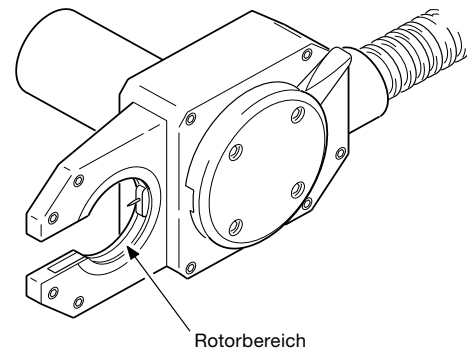


Abbildung 29 Untersuchen der freiliegenden Oberflächen des Schweißkopfs



### Vorsicht!

Verwenden Sie im Schweißkopf kein Schmiermittel.



### Vorsicht!

Der Rotor bewegt sich, wenn **JOG** oder **HOME** gedrückt wird. Der Rotor ist eine potentielle Klemmstelle.

## Schweißkopf-Demontage und -Reinigung.

In diesem Abschnitt wird die Demontage von Schweißkopf und Rotor beschrieben.

### Schweißkopf

Gehen Sie zur Demontage des Schweißkopfs folgendermaßen vor:

1. Blasen Sie loses Material mit sauberer Druckluft (niedriger Druck) vom Schweißkopfbauteil.
2. Die vier Schrauben, den Sicherungsring und die Sicherungsplatte entfernen. Siehe Abbildung 30.

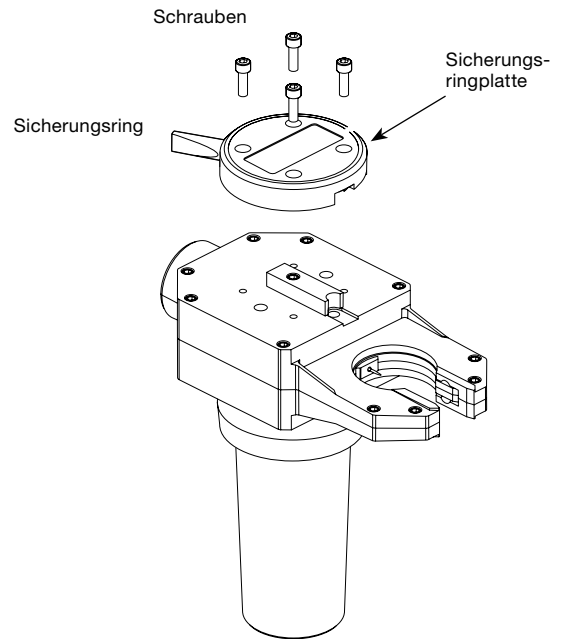


Abbildung 30 Entfernen des Sicherungsringes und der Sicherungsringplatte

3. Entfernen Sie die Werkstückverlängerungsschraube mit der Sicherungsscheibe und die Verlängerung. Die Werkstückverlängerung auf Lochfraß, Abnutzung oder Beschädigung untersuchen. Siehe Abbildung 31.
4. Wechseln Sie die Werkstückverlängerung gegebenenfalls aus. Bestellinformationen für Einzelteile finden Sie im Abschnitt **Einzelteilzeichnungen** am Ende dieses Handbuchs.

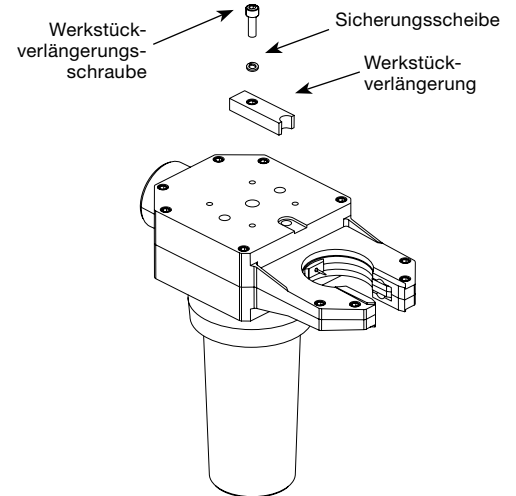


Abbildung 31 Entfernen der Werkstückverlängerung

5. Die Schweißkopfgehäuseschrauben vom Gehäuse entfernen. Die Sicherungsringshälfte des Schweißkopfgehäuses vorsichtig hin- und her kippen und von der Motorenhälfte entfernen. Siehe Abbildung 32.
6. Die Schweißkopfgehäusehälften vorsichtig voneinander trennen, damit die internen Komponenten nicht beschädigt werden. Siehe Abbildung 32.
7. Den Rotor von der Motorenhälfte des Schweißkopfgehäuses entfernen. Siehe Abbildung 33.
8. Die Antriebsblock-Unterbaugruppe vorsichtig aus der Motorenhälfte des Schweißkopfgehäuses entfernen. Siehe Abbildung 34.

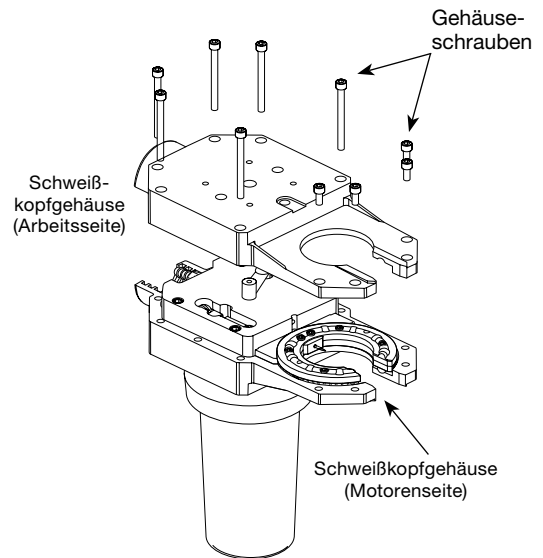


Abbildung 32 Entfernen der Sicherungsringshälfte des Schweißkopfgehäuses

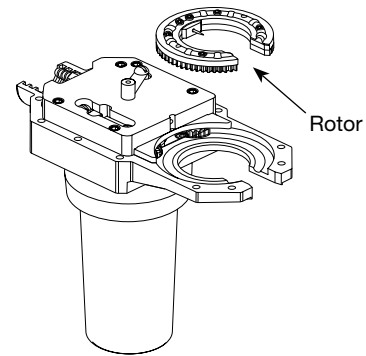


Abbildung 33 Entfernen des Rotors

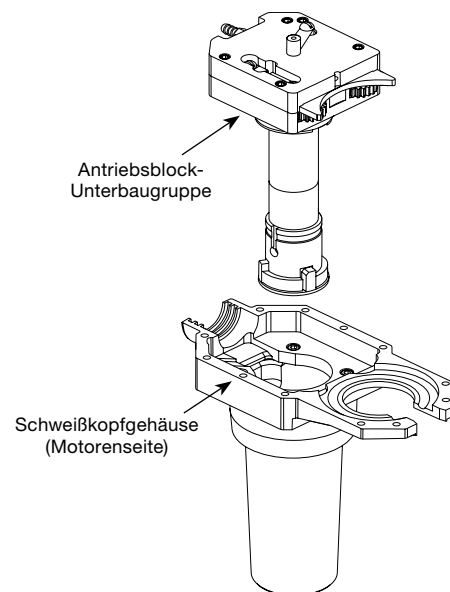


Abbildung 34 Entfernen der Antriebsblock-Unterbaugruppe

9. Überprüfen Sie die Bürste. Siehe Abbildung 35.  
 Untersuchen und reinigen Sie die Bürste folgendermaßen:
- Die Bürste auf übermäßigen Verschleiß überprüfen.
  - Sicherstellen, dass die Bürste eine Vertiefung hat. Die Bürste auswechseln, falls keine Vertiefung vorhanden ist. Bestellinformationen für Einzelteile finden Sie unter **Einzelteilzeichnungen**.
  - Oxidation mit einem feinkörnigen Schleifkissen von der Bürste entfernen.
10. Blasen Sie loses Material mit sauberer Druckluft (niedriger Druck) vom Antriebsblock.
11. Sicherstellen dass die beiden Klammerschrauben festgezogen sind. Siehe Abbildung 36.
12. Stellen Sie sicher, dass die Schraube der Werkstückplatte festgezogen ist und keine übermäßige Oxidation aufweist. Siehe Abbildung 37. Die Werkstückplatte gegebenenfalls mit einem feinkörnigen Schleifkissen reinigen.
13. Die Zahnräder auf Verschleiß untersuchen und gegebenenfalls auswechseln. Bestellinformationen für Einzelteile finden Sie unter **Einzelteilzeichnungen**.

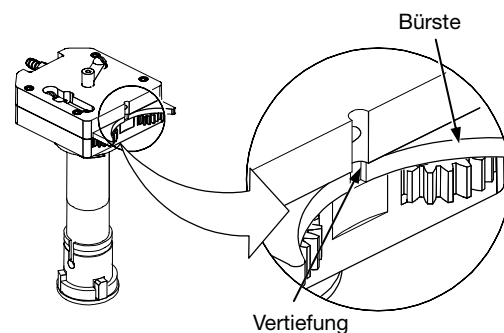


Abbildung 35 Untersuchen der Bürste

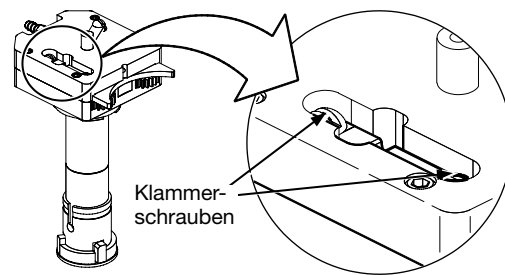


Abbildung 36 Untersuchen der Klammerschrauben

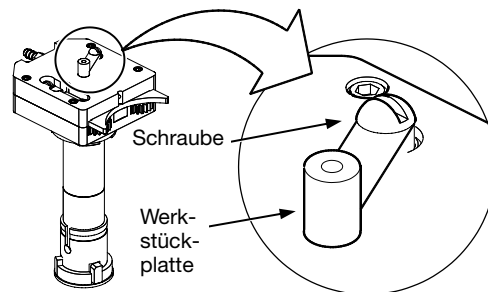


Abbildung 37 Trennen des Zahnrings vom Bürstenring

**Rotor**

Gehen Sie zur Demontage des Rotors folgendermaßen vor:

1. Entfernen Sie die Rotorschrauben und die Elektroden-Klemmplattenschrauben vom Rotor. Die Elektrode aus dem Keramikeinsatz nehmen. Siehe Abbildung 38.
2. Den Rotor auf eine saubere, trockene Oberfläche legen, so dass die Rotoröffnung nach oben zeigt. Den Zahnring genug vom Bürstenring trennen, so dass sich die zwei Rotorstifte reinigen lassen. Siehe Abbildung 39.
3. Den Zahnring wie in Abbildung 40 dargestellt ganz vom Bürstenring trennen. Die Ringe flach auf die Arbeitsfläche legen.
4. Die Kugellager vom Zahnring und dem Bürstenring entfernen.
5. Die Kugellager auf Verschleiß und Schäden überprüfen. Gegebenenfalls austauschen.
6. Falls die Kugellager schmutzig sind, mit Isopropanol oder einer Reinigungslösung reinigen. Die Kugellager gründlich trocknen.

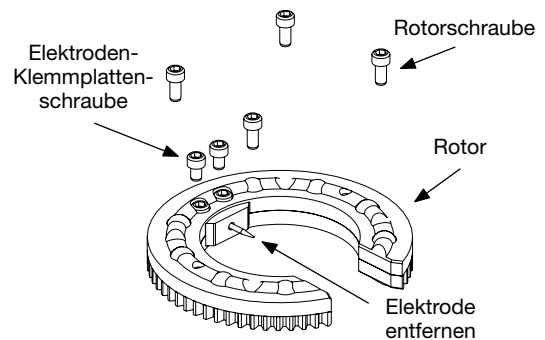


Abbildung 38 Entfernen der Rotor- und Elektroden-Klemmplattenschrauben

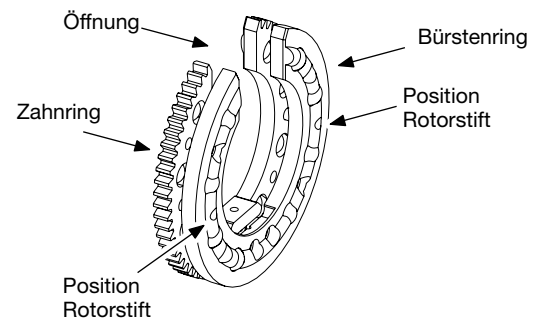


Abbildung 39 Platzieren des Rotors auf die Werkstückoberfläche

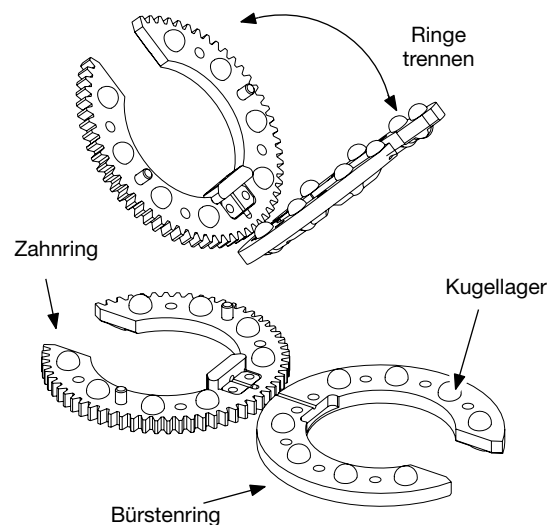


Abbildung 40 Trennen des Zahnrings vom Bürstenring



7. Keramikeinsatz entfernen. Siehe Abbildung 41.
8. Den Keramikeinsatz untersuchen. Falls Kohlenstoff- oder andere Ablagerungen vorhanden sind, mit einem feinkörnigen Schleifkissen oder einer weichen Nylonbürste reinigen.
9. Die Elektrodenklemmplatte entfernen. Mit einem feinkörnigen Schleifkissen reinigen. Siehe Abbildung 42.
10. Bürsten- und Zahnring auf Schmutz und andere Ablagerungen überprüfen. Die Ringe mit einem feinkörnigen Schleifkissen oder einer weichen Edelstahlbürste reinigen.
11. Alle Teile vor der Wiedermontage mit sauberer Niederdruckluft reinigen.

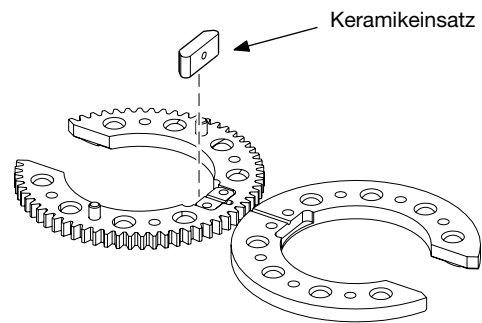


Abbildung 41 Entfernen des Keramikeinsatzes

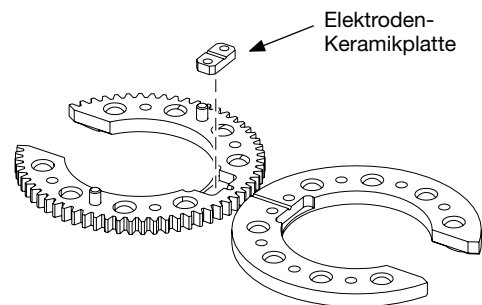


Abbildung 42 Entfernen der Elektrodenklemmplatte

### Schweißkopfeinheit

Die Montage von Schweißkopf und Rotor erfolgt in umgekehrter Reihenfolge wie die Demontage.

Gehen Sie zur Montage des Schweißkopfs folgendermaßen vor:

1. Führen Sie die unter **Rotor** aufgeführten Schritte in umgekehrter Reihenfolge durch.
2. Führen Sie die unter **Schweißkopf-Demontage und Reinigung** aufgeführten Schritte in umgekehrter Reihenfolge durch.
3. Überprüfen Sie, dass der Rotor in der richtigen Position ist. Siehe Abbildung 43.



**Vorsicht!**  
Bei der Wiedermontage keine Drähte einklemmen.

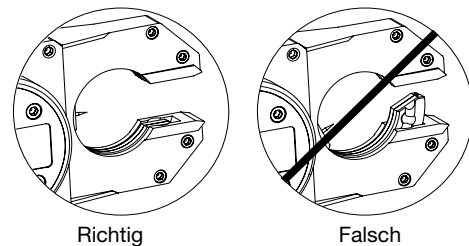


Abbildung 43 Rotorposition



## Einzelteilzeichnungen

Dieser Abschnitt enthält Explosionszeichnungen der Bauteile und die dazugehörigen Teilleisten. Diese Zeichnungen werden als Hilfsmittel zur Identifikation der Bezeichnungen der Einzelteile zur Verfügung gestellt. Für die Bestellinformationen spezifischer Teile wenden Sie sich bitte an Ihren autorisierten Swagelok Vertreter.

Folgende Teile werden in diesem Abschnitt identifiziert:

- SWS-5H Schweißkopf
- SWS-5H Rotorbaugruppe
- SWS-5H Motor- und Antriebsblockeinheit
- CWS-5TFB Rohrspannblock
- CWS-5FSP1 Spezial-Spannblock
- SWS-5FSP1-EX Spezial-Spannblock
- CWS-5FSP2 Spezial-Spannblock
- SWS-5FSP3L Seitenplatte
- SWS-5FSP3R Seitenplatte
- SWS-5FSP4L Seitenplatte
- SWS-5FSP4R Seitenplatte

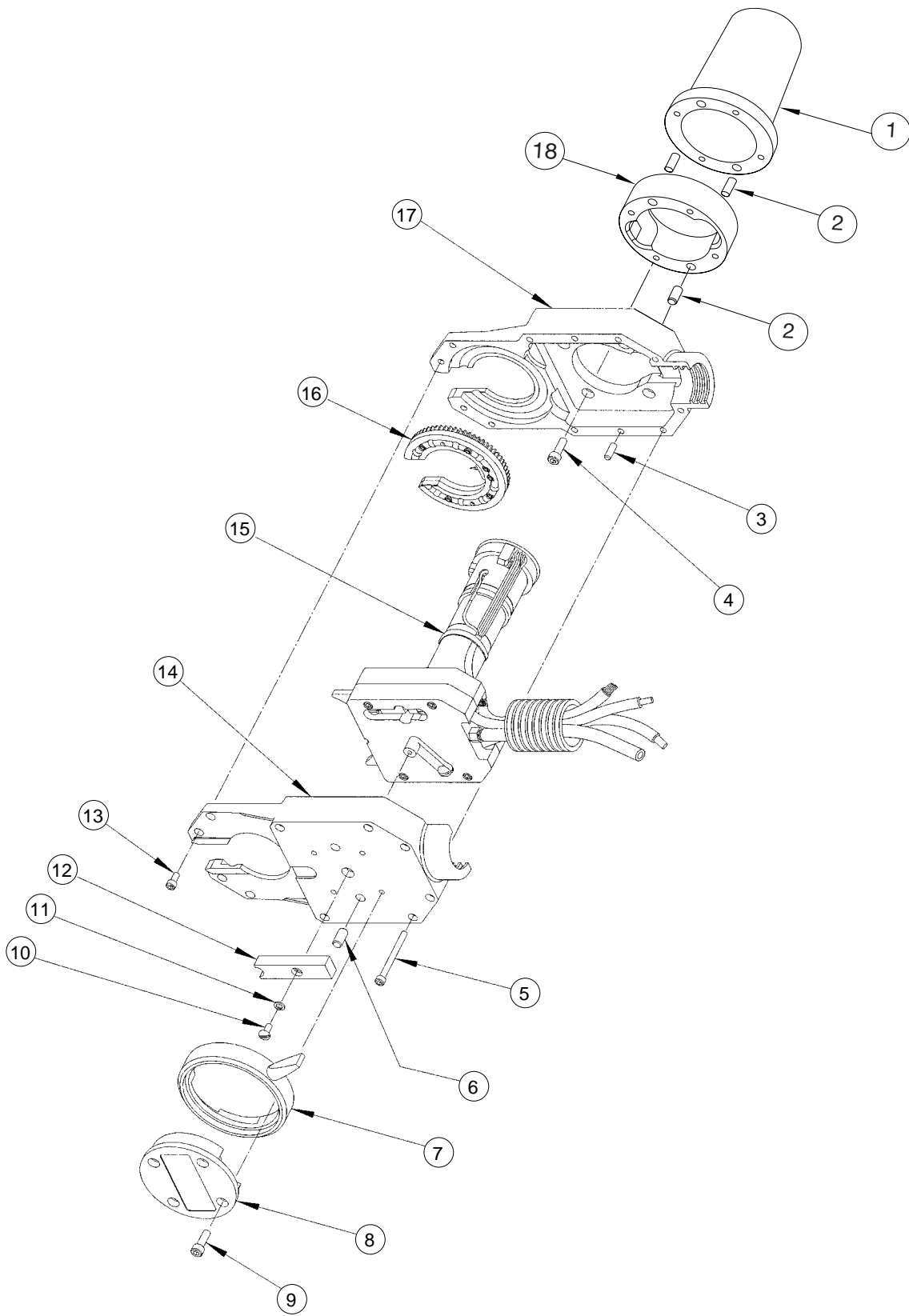


Abbildung 44 SWS-5H Schweißkopf

Tabelle 7 SWS-5H Schweißkopf-Teilleiste

Referenznr.	Beschreibung	Bestellnummer	Mindestbestellmenge
1	Motorabdeckung	K-SWS-WH-MT-CVR	1
2	Zylinderstift	*	*
3	Zylinderstift	*	*
4	Edelstahl-Inbusschraube, 6-32 × 1,000 Zoll	K-188-SCSA-138-32-1000	10
5	Edelstahl-Inbusschraube, 4-40 × 1,250 Zoll	K-13162	10
6	Zylinderstift	*	*
7	Sicherungsring	K-21065	1
8	Sicherungsringplatte	K-SWS-WH-LK-RNG-PLT	1
9	Kunststoff-Inbusschraube, 6-32 × 0,437 Zoll	K-13105	10
10	Edelstahl-Halbrundschrabe, 4-40 × 0,250 Zoll	K-188-21066-RCEU	10
11	Sicherungsscheibe	K-13208	10
12	Werkstück (+) Verlängerungsstange	K-21093	1
13	Edelstahl-Inbusschraube, 4-40 × 0,260 Zoll, modifiziert	K-13182	10
14	Gehäuse (Arbeitsseite)	K-SWS-5H-D-WSH	1
15	Motorbaugruppe	*	*
16	Rotorbaugruppe	K-SWS-5H-RTR	1
17	Gehäuse (Motorenseite)	K-SWS-5H-D-MSH	1
18	Schweißkopfmotorabdeckungsverlängerung	K-SWS-WH-MT-CVR-EXT	1

Für Bestellinformationen wenden Sie sich bitte an Ihren autorisierten Swagelok Vertreter.

\* Nur Werks-Service

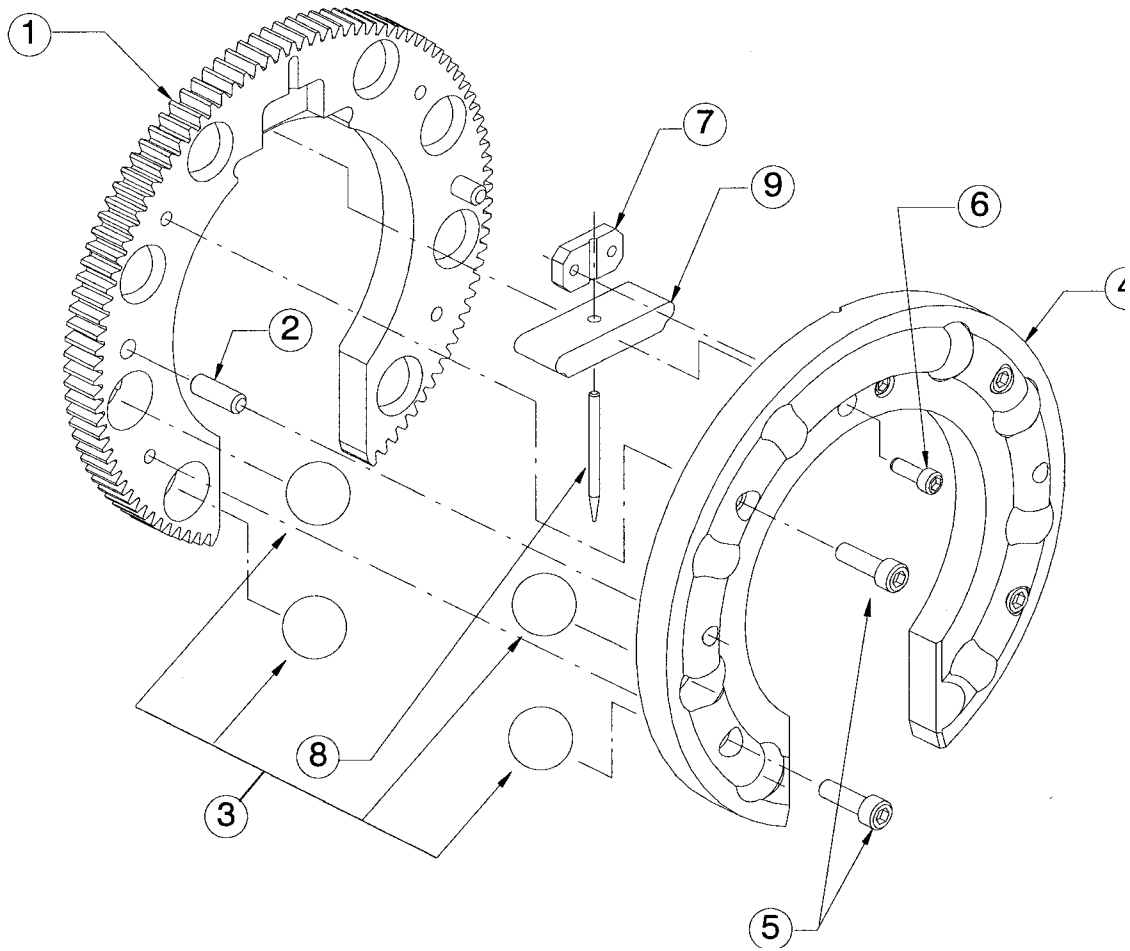


Abbildung 45 SWS-5H Rotorbaugruppe

Tabelle 8 SWS-5H Rotorbaugruppe-Teilleiste

Referenznr.	Beschreibung	Bestellnummer	Mindestbestellmenge
1	Rotorzahnkranz	K-SWS-5H-RTR-GEAR	1
2	Zylinderstifte	*	*
3	Kunststoffkugellager, 0,187 Zoll	K-11153	10
4	Rotorbürstenring	K-SWS-5H-RTR-BRUSH	1
5	Edelstahl-Inbusschraube, 2-56 × 0,187 Zoll	K-13111	10
6	Edelstahl-Inbusschraube, 2-56 × 0,125 Zoll	K-13110	10
7	Elektroden-Klemmplatte	K-11108	1
8	Siehe Elektrodentabelle (Seite 4)	-	-
9	Keramikeinsatz	K-11132	1

Für Bestellinformationen wenden Sie sich bitte an Ihren autorisierten Swagelok Vertreter.

\* Nur Werks-Service

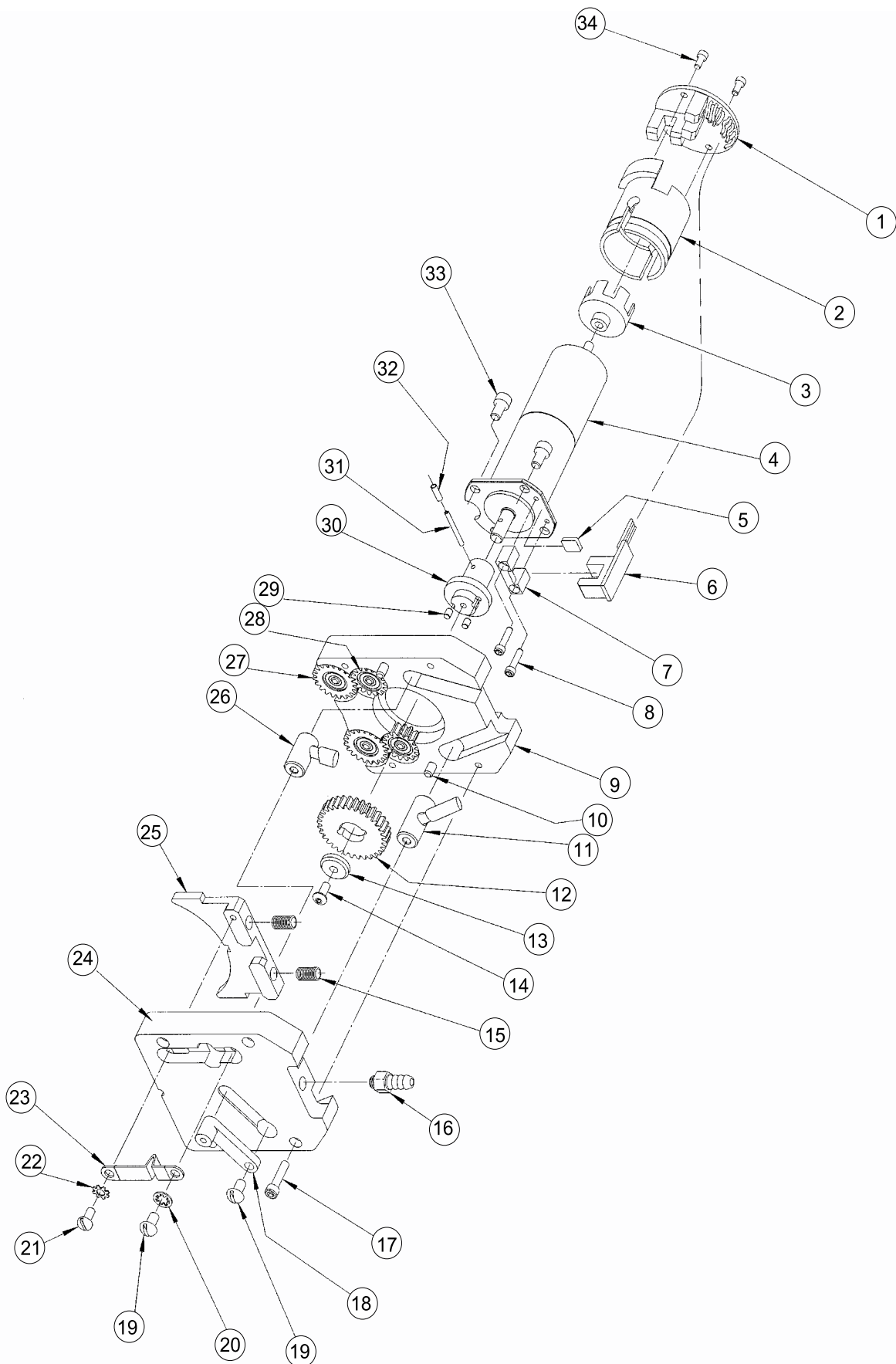


Abbildung 46 SWS-5H Motor- und Antriebsblockeinheit



Tabelle 9 SWS-5H Teileliste für Motor- und Antriebsblockeinheit

Referenznr.	Beschreibung	Bestellnummer	Mindestbestellmenge
1	Encoder-Platine	K-10708-A-RCEU	1
2	Hülsensensorhalterung	*	*
3	Encoderrad	*	*
4	Motor	*	*
5	Scheibe für Ausgangsstellungssensorhalterung	K-11126	1
6	Ausgangsstellungssensor	*	*
7	Ausgangsstellungssensorhalterung	K-11125	1
8	Edelstahl-Inbusschraube, 2-56 × 0,375 Zoll	K-13145	10
9	Antriebsblock (Motorseite)	K-21126	1
10	Zylinderstift	*	*
11	Arbeits- (+) Stift	*	*
12	Antriebsrad	K-SWS-5H-DR-GR	1
13	Sicherungsscheibe	K-SWS-WH-DR-RET-WSHR	1
14	Edelstahl-Halbrundschrabe, 4-40 × 0,250 Zoll	K-13167	10
15	Bürstenfedern	K-MW-CSC-180-014-310-SG	10
16	Spülbajonett	B-BN4-K62	1
17	Edelstahl-Inbusschraube, 4-40 × 0,500 Zoll	K-13163	10
18	Werkstückplatte	K-11053-A	1
19	Edelstahl-Rundkopfschraube, 6-32 × 0,250 Zoll	K-188-13124-RCEU	10
20	Edelstahl #6 Innengezahnnte Sicherungsscheibe	K-410-13251-RCEU	10
21	Edelstahl-Flachkopfschraube, 4-40 × 0,250 Zoll	K-188-21066-RCEU	10
22	Edelstahl #4 Zahnscheibe	K-13171	10
23	Klammer	K-11117-RCEU	1
24	Antriebsblock (Arbeitsseite)	K-21207	1
25	Bürste	K-SWS-5H-BRUSH	1
26	Antriebsstift	*	*
27	Zahnradbaugruppe	10009-4	1
28	Zahnradbauteil	10009-3	1
29	Edelstahl-Zylinderstift, 0,093 × 0,125 Zoll	K-13133	10
30	Antriebskupplung	*	*
31	Antriebskupplungsstift	*	*
32	Hülse für Antriebskupplungsstift	*	*
33	Edelstahl-Inbusschraube, 6-32 × 0,250 Zoll	K-13174	10
34	Edelstahl-Inbusschraube, 2-56 × 0,187 Zoll	K-13111	10

Für Bestellinformationen wenden Sie sich bitte an Ihren autorisierten Swagelok Vertreter.

\* Nur Werks-Service

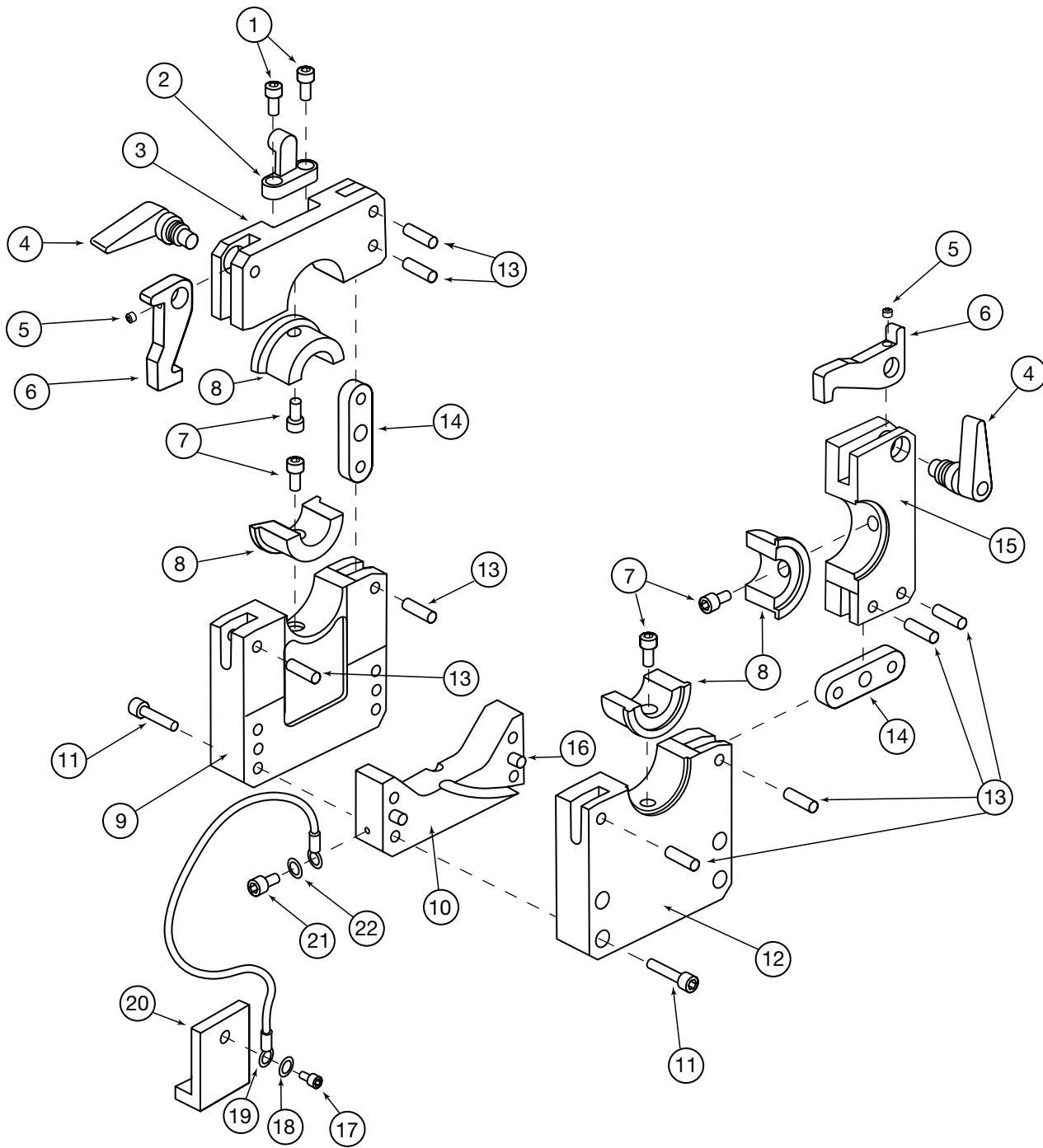


Abbildung 47 CWS-5TFB Rohrspannblock

Tabelle 10 CWS-5TFB Rohrspannblock-Teileliste

Referenznr.	Beschreibung	Bestellnummer	Mindestbestellmenge
1	Edelstahl-Inbusschraube, 4-40 × 0,250 Zoll	K-13112	10
2	Sicherungsblech	K-12134	1
3	Untere Seitenplatte (links)	CWS-5TSPL	1
4	Hebelnockenbauteil	K-12130-2	1
5	Edelstahl-Stellschraube, 4-40 × 0,125 Zoll	K-12132	10
6	Riegel	K-12131	1
7	Edelstahl-Inbusschraube, 4-40 × 0,250 Zoll	K-13112	10
8	Siehe Spannfuttertabellen (in <i>Orbitalschweißsystem</i> , Serie 5, MS-02-129)	-	-
9	Obere Seitenplatte (links)	CWS-5TSPL	1
10	Plenum-Bauteil	CWS-5PLEN	1
11	Edelstahl-Inbusschraube, 4-40 × 0,563 Zoll	K-13115	10
12	Obere Seitenplatte (rechts)	CWS-5TSPR	1
13	Zylinderstift	*	*
14	Scharnier	*	*
15	Untere Seitenplatte (rechts)	CWS-5TSPR	1
16	Zylinderstift	*	*
17	Edelstahl-Inbusschraube, 4-40 × 0,187 Zoll	K-13207	10
18	Edelstahl #4 Zahnscheibe	K-13171	10
19	6 Zoll Draht	410-003	1
20	Zentrierlehre	CWS-5CG	1
21	Edelstahl-Inbusschraube, 4-40 × 0,250 Zoll	K-13112	10
22	Edelstahl #4 Zahnscheibe	K-13171	10

Für Bestellinformationen wenden Sie sich bitte an Ihren autorisierten Swagelok Vertreter.

\* Nur Werks-Service

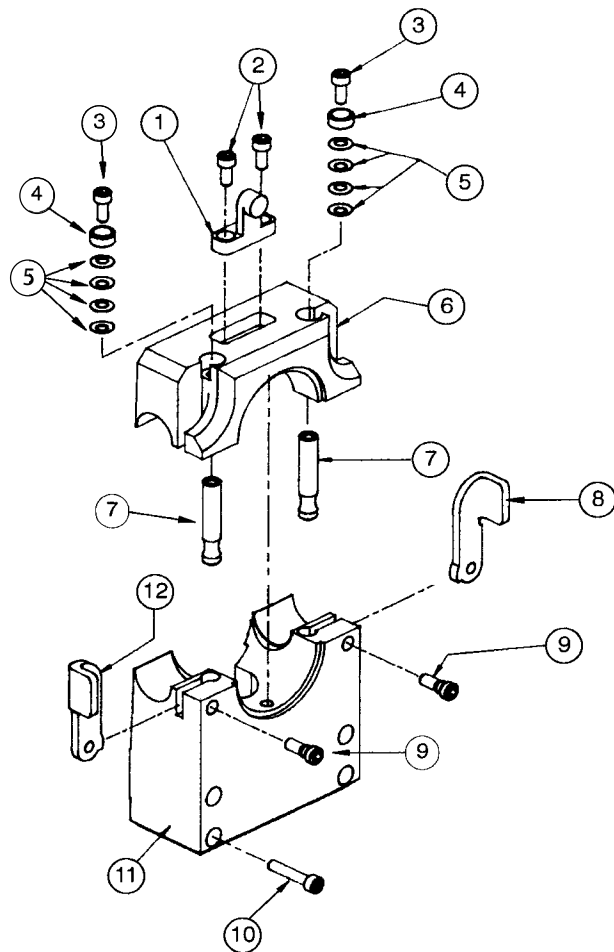


Abbildung 48 CWS-5FSP1 Spezial-Spannblock

Tabelle 11 CWS-5FSP1 Spezial-Spannblock-Teilleiste

Referenznr.	Beschreibung	Bestellnummer	Mindestbestellmenge
1	Sicherungsblech	K-12134	1
2	Edelstahl-Inbusschraube, 4-40 × 0,250 Zoll	K-13112	10
3	Edelstahl-Inbusschraube, 4-40 × 0,250 Zoll	K-13112	10
4	Kunststoff-Distanzscheibe	K-13245	10
5	Tellerfeder	K-13244	10
6	Obere Seitenplatte	K-CWS-5FSP1-TOP	1
7	Nockenstift	K-12160-A	1
8	Rechte Riegelnocke	K-12159	1
9	Edelstahl-Stellschraube, 10-32 × 0,420 Zoll, modifiziert	K-13224	1
10	Edelstahl-Inbusschraube, 4-40 × 0,563 Zoll	K-13115	10
11	Untere Seitenplatte	K-12162	1
12	Linke Riegelnocke	K-12158	1

Für Bestellinformationen wenden Sie sich bitte an Ihren autorisierten Swagelok Vertreter.

① Obere Seitenplatte (Referenznr. 2-9)

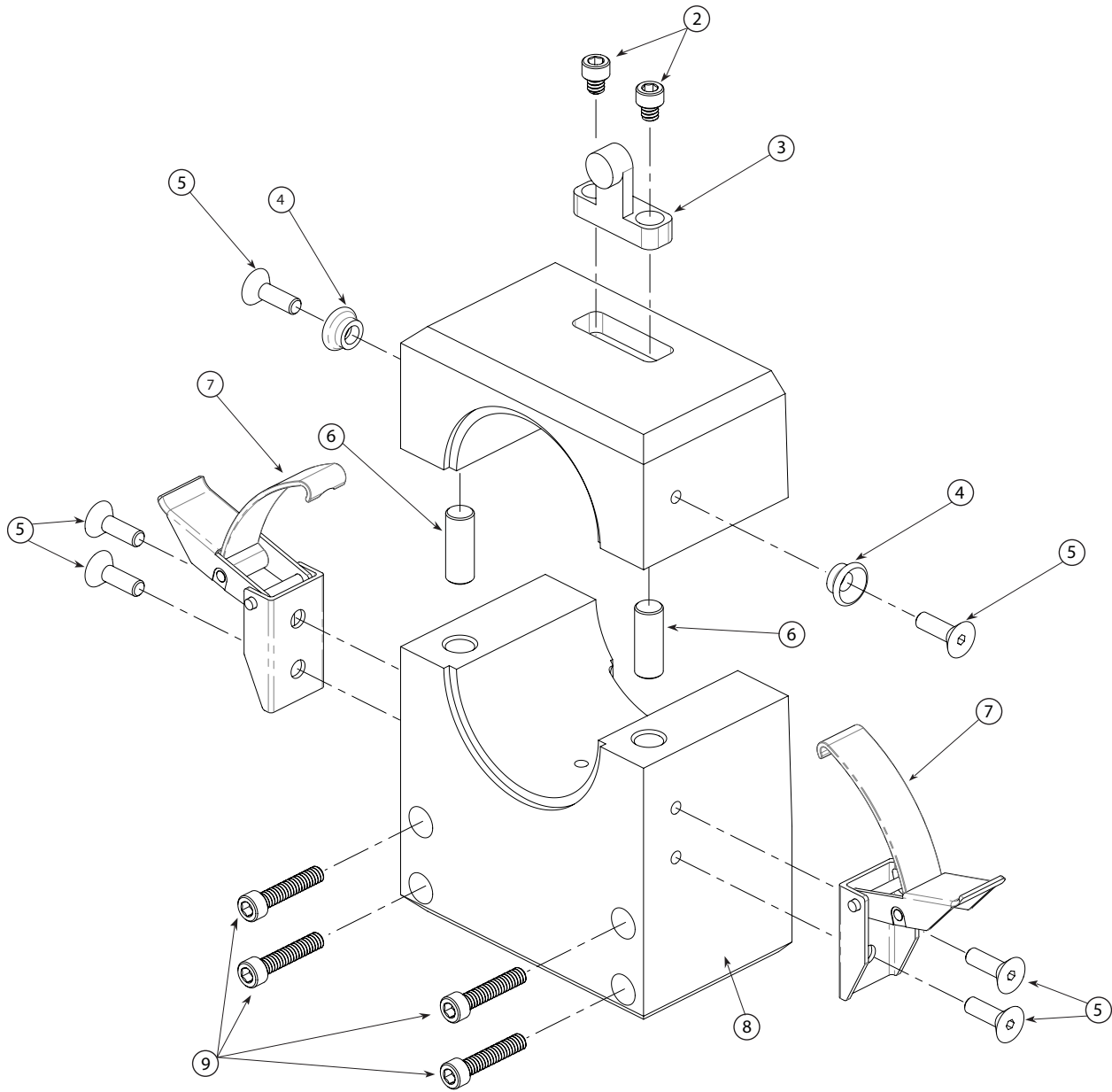


Abbildung 49 SWS-5FSP1-EX Spezial-Spannblock

Tabelle 12 SWS-5FSP1-EX Spezial-Spannblock-Teilleiste

Referenznr.	Beschreibung	Bestellnummer	Mindestbestellmenge
1	Obere Seitenplatte	SWS-5FSP1-EX	1
2	Edelstahl-Inbusschraube, 4-40 x 0,125 Zoll	K-188-SCSA-112-40-125	10
3	Sicherungsblech	K-12134	1
4	Verschlusshalter	K-13300	10
5	Edelstahl-Flachkopfschraube, 4-40 x 0,375 Zoll	K-13108	10
6	Zylinderstift	*	*
7	Verschlusshebel	K-11520	1
8	Untere Seitenplatte	K-SWS-5FSP1-EX-BTM	1
9	Edelstahl-Inbusschraube, 4-40 x 0,563 Zoll	K-13115	10

Für Bestellinformationen wenden Sie sich bitte an Ihren autorisierten Swagelok Vertreter.

\* Nur Werks-Service

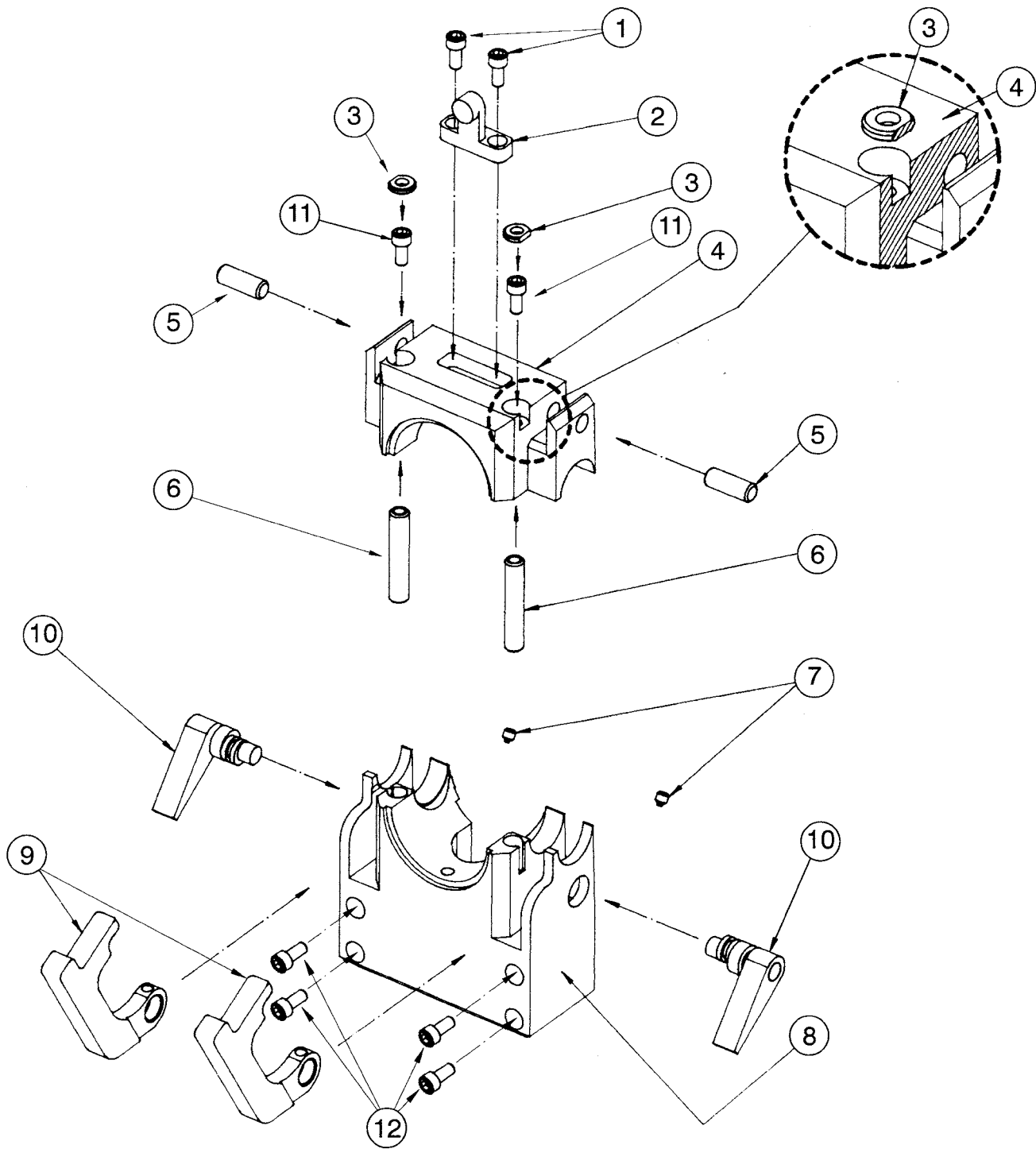


Abbildung 50 CWS-5FSP2 Spezial-Spannblock



Tabelle 13 CWS-5FSP2 Spezial-Spannblock-Teileliste

Referenznr.	Beschreibung	Bestellnummer	Mindestbestellmenge
1	Edelstahl-Inbusschraube, 4-40 × 0,250 Zoll	K-13112	10
2	Sicherungsblech	K-12134	1
3	Kunststoffschraubenhalter	K-12169	10
4	Obere Seitenplatte	K-CWS-5FSP2-TOP	1
5	Zylinderstift	*	*
6	Positionsstift	K-12168	1
7	Edelstahl-Stellschraube, 4-40 × 0,125 Zoll	K-12132	10
8	Untere Seitenplatte	K-12166	1
9	Riegel	K-12167	1
10	Hebelnockenbauteil	K-12130-2	1
11	Edelstahl-Inbusschraube, 4-40 × 0,250 Zoll	K-13112	10
12	Edelstahl-Inbusschraube, 4-40 × 0,563 Zoll	K-13115	10

Für Bestellinformationen wenden Sie sich bitte an Ihren autorisierten Swagelok Vertreter.

\* Nur Werks-Service

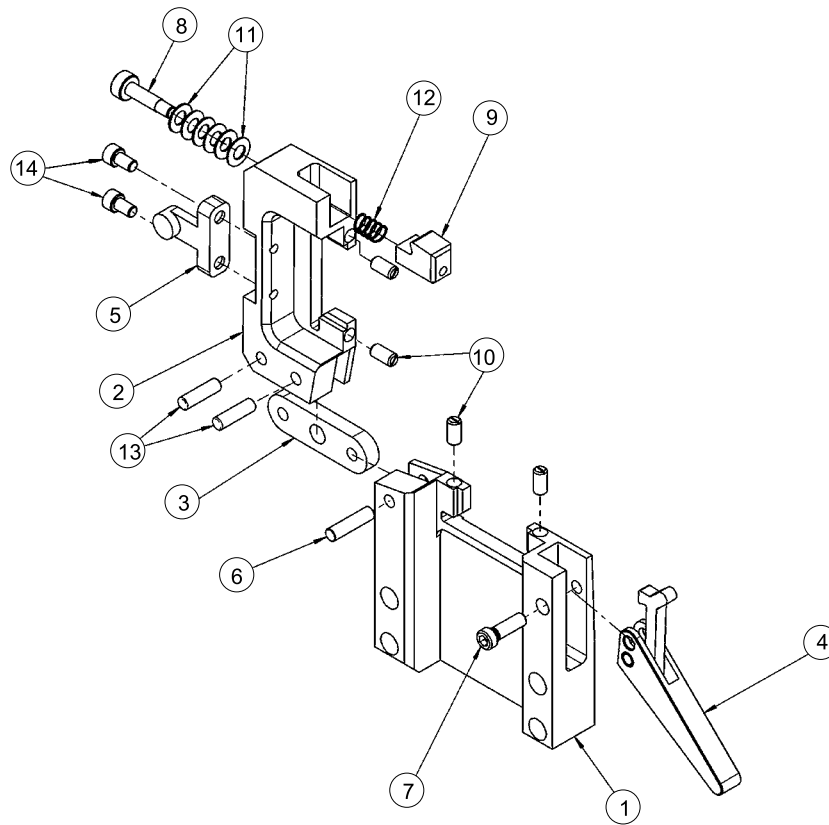


Abbildung 51 SWS-5FSP3L Seitenplatte

Tabelle 14 SWS-5FSP3L Seitenplatten-Teilleiste

Referenznr.	Beschreibung	Bestellnummer	Mindestbestellmenge
1	Untere Seitenplatte	*	*
2	Obere Seitenplatte	*	*
3	Scharnier	*	*
4	Hebel	K-21030	1
5	Sicherungsblech	K-12134	1
6	Zylinderstift	*	*
7	Edelstahl-Stellschraube, 4-40 x 0,495 Zoll, modifiziert	K-13226	10
8	Edelstahl-Inbusschraube, 4-40 x 0,125 x 0,375 Zoll	K-13248	10
9	Anschlag	K-12122	1
10	Kugelstößel 5-40 x 0,250 Zoll	K-13246	10
11	Tellerfeder	K-13247	10
12	Feder	K-MW-CSC-180-014-380-SG	10
13	Zylinderstift	*	*
14	Edelstahl-Inbusschraube, 4-40 x 0,187 Zoll	K-13207	10

Für Bestellinformationen wenden Sie sich bitte an Ihren autorisierten Swagelok Vertreter.

\* Nur Werks-Service

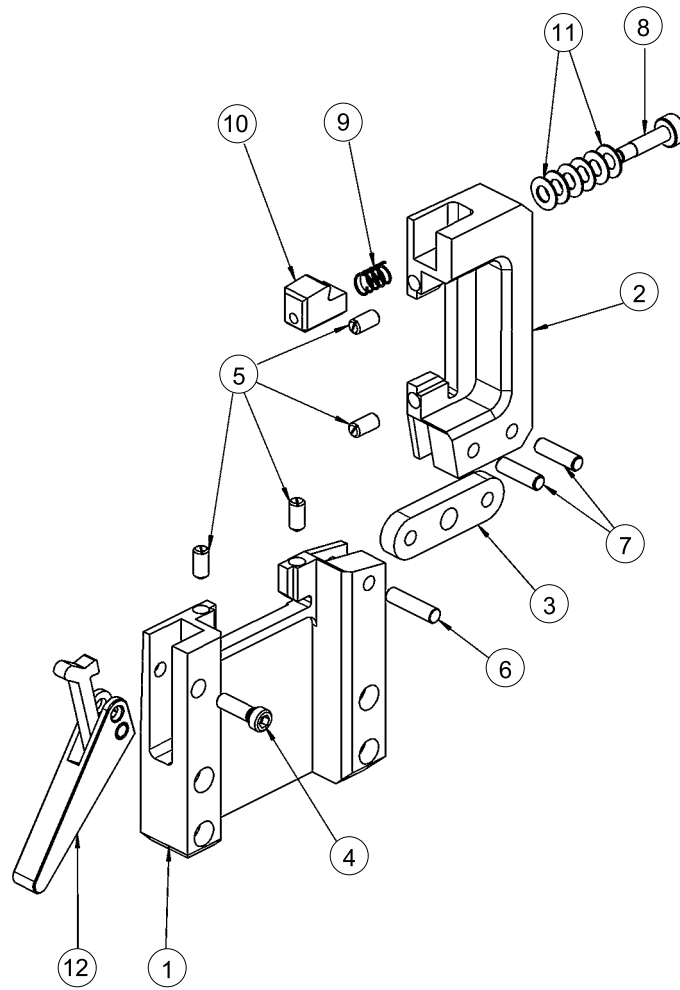


Abbildung 52 SWS-5FSP3R Seitenplatte

Tabelle 15 SWS-5FSP3R Seitenplatten-Teileliste

Referenznr.	Beschreibung	Bestellnummer	Mindestbestellmenge
1	Untere Seitenplatte	*	*
2	Obere Seitenplatte	*	*
3	Scharnier	*	*
4	Edelstahl-Stellschraube, 10-32 x 0,495 Zoll, modifiziert	K-13226	10
5	Kugelstößel, 5-40 x 0,250 Zoll	K-13246	10
6	Zylinderstift	*	*
7	Zylinderstift	*	*
8	Edelstahl-Inbusschraube, 4-40 x 0,125 x 0,375 Zoll	K-13248	10
9	Feder	K-MW-CSC-180-014-380-SG	10
10	Anschlag	K-12122	1
11	Tellerfeder	K-13247	10
12	Hebel	K-21030	1

Für Bestellinformationen wenden Sie sich bitte an Ihren autorisierten Swagelok Vertreter.

\* Nur Werks-Service

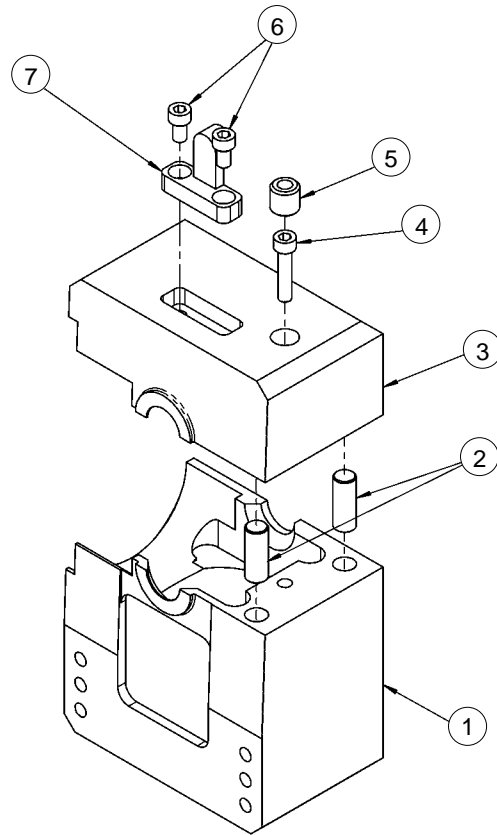


Abbildung 53 SWS-5FSP4L-XX Seitenplatte

Tabelle 16 SWS-5FSP4L-XX Seitenplatten-Teileliste

Referenznr.	Beschreibung	Bestellnummer	Mindestbestellmenge
1	5FSP4L-XX Unterteil	*	*
2	Zylinderstift	*	*
3	5FSP4L-XX Oberteil	*	*
4	Edelstahl-Inbusschraube, 4-40 × 0,5000 Zoll	K-13163	10
5	Schraubensicherung	K-12114	10
6	Edelstahl-Inbusschraube, 4-40 × 0,187 Zoll	K-13207	10
7	Sicherungsblech	K-12134	1

Für Bestellinformationen wenden Sie sich bitte an Ihren autorisierten Swagelok Vertreter.

\* Nur Werks-Service

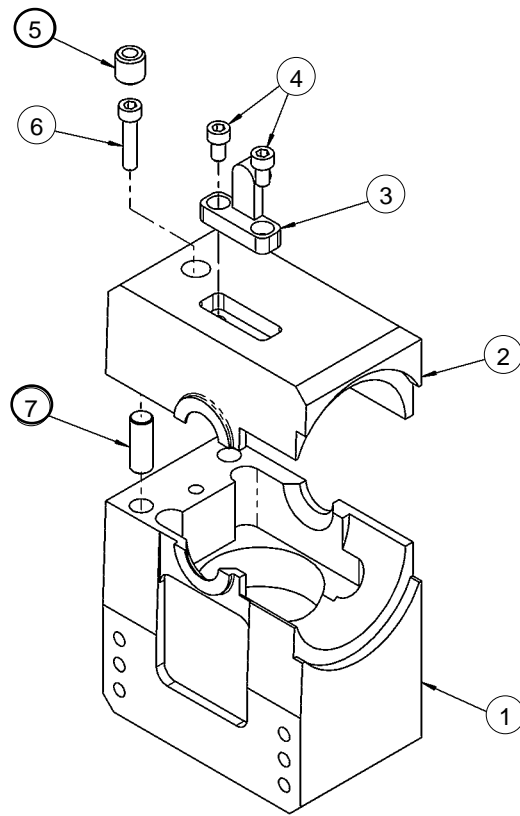


Abbildung 54 SWS-5FSP4R-XX Seitenplatte



Tabelle 17 SWS-5FSP4R-XX Seitenplatten-Teilleiste

Referenznr.	Beschreibung	Bestellnummer	Mindestbestellmenge
1	5FSP4R-XX Unterteil	*	*
2	5FSP4R-XX Oberteil	*	*
3	Sicherungsblech	K-12134	1
4	Edelstahl-Inbusschraube, 4-40 × 0,187 Zoll	K-13207	10
5	Schraubensicherung	K-12114	10
6	Edelstahl-Inbusschraube, 4-40 × 0,500 Zoll	K-13163	10
7	Zylinderstift	*	*

Für Bestellinformationen wenden Sie sich bitte an Ihren autorisierten Swagelok Vertreter.

\* Nur Werks-Service

### **Garantieinformationen**

Swagelok Produkte fallen unter die eingeschränkte Swagelok Nutzungsdauergarantie. Eine Kopie erhalten Sie auf der Website [swagelok.de](http://swagelok.de) oder von Ihrem autorisierten Swagelok-Vertreter.

# シリーズ5 ウェルド・ヘッド



ユーザー・マニュアル

# 目次

ウェルド・ヘッド . . . . .	117
フィクスチャー・ブロック . . . . .	117
ウェルド・ヘッド運送用ケースの開梱 . . . . .	118
ウェルド・ヘッドの取り付け . . . . .	119
ウェルド・ヘッドへの電極の取り付け . . . . .	120
アーク・ギャップ・ゲージ設定値の算出 . . . . .	122
アーク・ギャップの設定 . . . . .	123
溶接物の固定 . . . . .	128
チューブ用フィクスチャー・ブロック内へのコレットの取り付け . . . . .	129
メンテナンス . . . . .	138
構成部品の分解図 . . . . .	147

## ウェルド・ヘッド

Swagelok ウェルディング・システム(SWS) シリーズ5 ウェルド・ヘッドは、外径サイズ 1/8 インチから 5/8 インチまで、3 mm から 17.3 mm までの溶接を一貫して正確に行います。

ウェルド・ヘッド内の直流モーターによってローターが起動し、溶接接合部の周りでタングステン電極を回転させます。ウェルド・ヘッド内の光学回路はパワー・サプライに正確なフィードバックを送り、ローターのスピードを制御します。

ウェルド・ヘッド内の可動部品はすべて低摩擦装置に取り付けられているため、一貫してスムーズに作動します。

スプリング・ロード式フローティング・ブラシは、常にローター円周のほぼ 3 分の 1 に接触しています。このため、ローターおよび電極への電気伝導性が常に一定となります。

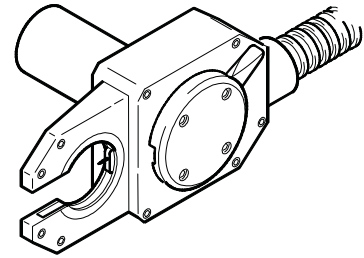


図1：シリーズ5 ウェルド・ヘッド

## フィクスチャー・ブロック

SWS シリーズ5 フィクスチャー・ブロックは、チューブ、継手、バルブ・ボディを正確に配列して保持します。モジュラー・デザインを採用しているため、異なるサイド・プレートを使用して溶接に必要な形状を作成することができます。

フィクスチャー・ブロックはウェルド・ヘッドと分離しているため、作業前の溶接物の位置合わせや固定が容易です。また、複数のフィクスチャー・ブロックを使用することで、生産性の向上を図ることができます。

各フィクスチャー・ブロックは、さまざまなサイズの溶接物に対応します。ユニバーサル・コレット・インサート (UCI) とフィクスチャー・ブロックを組み合わせると、溶接物のサイズに適合させることができます。コレットは、呼び外径公差 0.13 mm 以内のチューブおよび継手を確実に固定します。コレットは容易に交換することができるため、フィクスチャー・ブロックはさまざまな溶接要件にも柔軟に対応します。

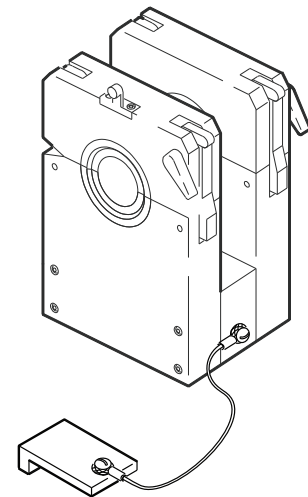


図2：シリーズ5 フィクスチャー・ブロック

## ウェルド・ヘッド運送用ケースの開梱

以下のウェルド・ヘッド部品は、クッション材を施した運送用ケースに収納されています。

- ウェルド・ヘッド
- アーク・ギャップ・ゲージ
- 電極パック
- 工具セット

Swagelok シリーズ5 ウェルド・ヘッド入荷の際は、以下の点についてご確認ください。

1. 運送用ケースに損傷がないか検査します。
2. 運送用ケースから部品を取り出します。
3. 部品に損傷がないか点検します。
4. ウェルド・ヘッドのシリアル・ナンバーと、運送用ケースに記載のシリアル・ナンバーが一致していることを確認します。
5. 型式番号、シリアル・ナンバー、納入日を「登録インフォメーション・フォーム」に記入します（フォームはパワー・サプライ・ユーザー・マニュアルに入っています）。

## ウェルド・ヘッドの取り付け

ウェルド・ヘッドには、パワー・サプライに接続するコネクタが4つあります。

ケーブルには、以下の4つのコネクタがあります。

- ウェルド・ヘッド
- 電極 (赤色)
- ワーク (緑色)
- ウェルド・ヘッド・シールド・ガス

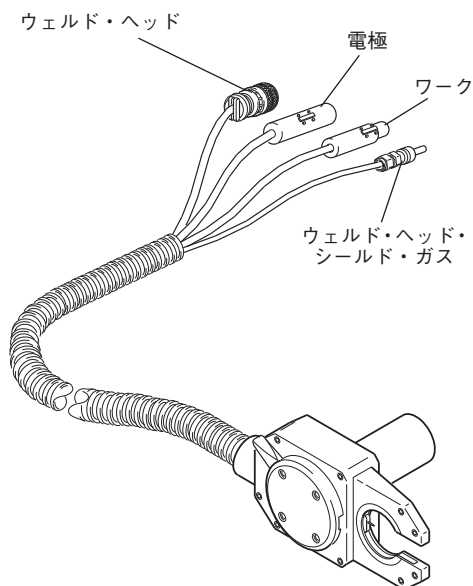


図3：ウェルド・ヘッド

以下の手順に従って、パワー・サプライの側面パネルに、4つのコネクタを接続してください(図4参照)。

1. ウェルド・ヘッドを設置します。
2. 1/4回転コネクタの溝を、側面パネルの「WELD HEAD (ウェルド・ヘッド)」と表示されたソケットの小さなタブに合わせます。コネクタをソケットに差し込みます。コネクタ固定用スリーブを時計回りに手でまわして締め付けます。この接続により、ウェルド・ヘッドを動かすのに必要な制御信号が伝わります。
3. 赤色のコネクタを、側面パネルの「ELECTRODE (電極)」と表示されたソケットに完全に底に当たるまで差し込みます。コネクタを時計回りに1/4回転まわして固定します。この接続が、ウェルド・ヘッドの負(-)のターミナルです。
4. 緑色のコネクタを、側面パネルの「WORK (ワーク)」と表示されたソケットに差し込みます。コネクタを時計回りに1/4回転まわして固定します。この接続が、ウェルド・ヘッドの正(+)のターミナルです。
5. ウェルド・ヘッド・シールド・ガス用コネクタを、「TOWELD HEAD (ウェルド・ヘッドへ)」と表示された Swagelok クイック・コネクツ・システムに差し込みます。コネクタがしっかりと装着されていることを確認してください。この接続により、パワー・サプライ内のマス・フロー・コントローラー (MFC) を経由して、シールド・ガスがウェルド・ヘッドに供給されます。

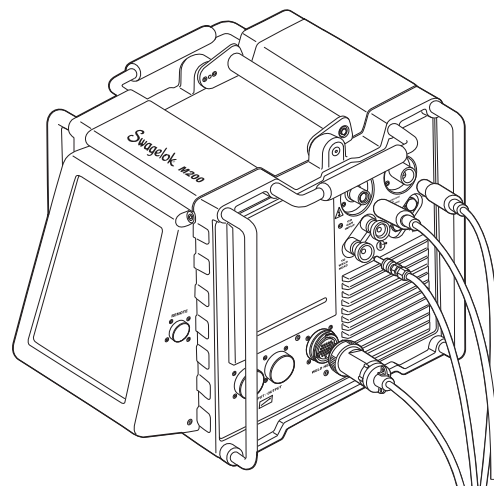


図4：ウェルド・ヘッド・コネクタ



### 注意！

ウェルド・ヘッド・コネクタが適合するソケットに完全に底に当たるまで差し込まれ、スリーブが締め付けられていることをご確認ください。

### 注：

ウェルド・ヘッド・シールド・ガス用コネクタには必ず、シングル・エンド・シャット・オフ (SESO) 型 Swagelok クイック・コネクツ・システム (型番：SS-QC4-S-400) をご使用ください。

## ウェルド・ヘッドへの電極の取り付け

Swagelok ウェルド・ヘッドには電極バックが付属しています。以下の手順に従って、電極をウェルド・ヘッドに正しく取り付けてください。

### 適切な電極の選択

電極の長さおよび直径は、使用するウェルド・ヘッド・モデルおよび溶接物の外径サイズによって決まります。表1：電極選定表を参照して、正しい電極を選んでください。M200 パワー・サプライの場合、溶接条件の「自動作成」機能を使用すると、適切な電極を自動で選択します。

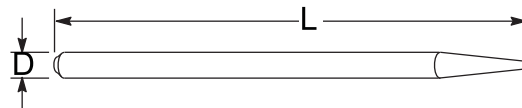


図5：電極長さ／直径

表1：電極選定表

電極型番	溶接物 外径サイズ	電極長さ (L)	電極直径 (D)
CWS-C.040.705-P	1/8 インチ	0.705 インチ (17.90 mm)	0.040 インチ (1.02 mm)
	3/16 インチ		
	3 mm		
CWS-C.040-.605-P	1/4 インチ	0.605 インチ (15.37 mm)	0.040 インチ (1.02 mm)
	5/16 インチ		
	6 mm		
CWS-C.040-.555-P	3/8 インチ	0.555 インチ (14.10 mm)	0.040 インチ (1.02 mm)
	1/2 インチ		
	10 mm		
CWS-C.040-.450-P	5/8 インチ	0.450 インチ (11.43 mm)	0.040 インチ (1.02 mm)
	15 mm		
CWS-C.040-.405-P	16 mm	0.405 インチ (10.29 mm)	0.040 インチ (1.02 mm)
	17.3 mm		



## 電極の形状

この図は、スウェージロックが推奨する電極の形状を示しています。適切に研削された電極を使用すると、精度の高い溶接を繰り返し行うことができます。あらかじめ研削した電極につきましては、スウェージロック指定販売会社までお問い合わせください。ご注文の際は、構成部品リストをご参照ください。

電極型番は、以下のような構成となっています。

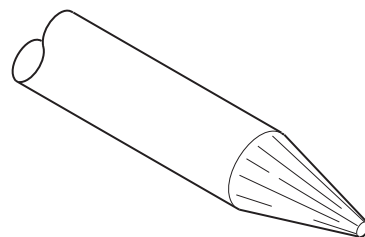
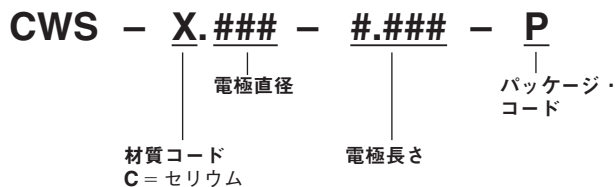
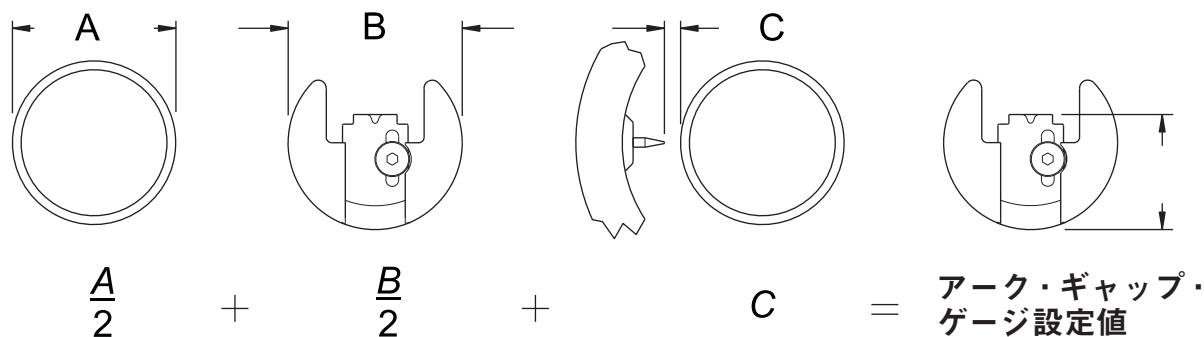


図6：タングステン電極

セリウムを含有した電極の材質タイプは、タングステンを98%とセリウムを2%含有した混合物で、一般に「2%セリウム」と呼ばれます。このタイプの電極は、特に清浄シールド・ガスを使用する場合に、トリウム含有率が2%の材質タイプよりも優れたアーク発生性能を示します。

## アーク・ギャップ・ゲージ設定値の算出

特定のアーク・ギャップ用のアーク・ギャップ・ゲージ設定値を算出する際は、以下の公式を使用してください。



ここで、

A = チューブまたは継手の溶接エンドの最大外径サイズ (溶接物の直径)

B = アーク・ギャップ・ゲージ直径

C = 使用するアーク・ギャップ

図7: アーク・ギャップ・ゲージ設定値の公式

### 例1: シリーズ5 ウェルド・ヘッド

チューブ突き合わせ溶接 (1/4 インチ・サイズー 1/4 インチ・サイズ) –

最大外径サイズ A = 0.253 インチ

アーク・ギャップ・ゲージ直径 B = 1.244 インチ

使用するアーク・ギャップ C = 0.028 インチ

$$\frac{0.253 \text{ インチ}}{2} + \frac{1.244}{2} + 0.028 \text{ インチ} = 0.777 \text{ インチ}$$

### 例2: シリーズ5 ウェルド・ヘッド

チューブ突き合わせ溶接 (6 mm サイズー 6 mm サイズ) –

最大外径サイズ A = 6.081 mm

アーク・ギャップ・ゲージ直径 B = 31.60 mm

使用するアーク・ギャップ C = 0.71 mm

$$\frac{6.081 \text{ mm}}{2} + \frac{31.60 \text{ mm}}{2} + 0.71 \text{ mm} = 19.551 \text{ mm}$$

## アーク・ギャップの設定

アーク・ギャップ設定を正しく行うことで溶接を容易にコントロールすることができるため、一貫した溶接を行うことができます。以下の手順に従って、アーク・ギャップの設定を行ってください。

アーク・ギャップは、ウェルド・ヘッドに付属しているアーク・ギャップ・ゲージを使用して設定します。アーク・ギャップ・ゲージは、使用するアーク・ギャップに合わせて調節してから、ローター内に取り付けます。アーク・ギャップ・ゲージを所定の位置にセットすることで、電極の位置がほぼ正確に決まります。

### アーク・ギャップ・ゲージの設定

1. ノギスまたはマイクロメーターを使用して、溶接物の外径サイズを測定します。図8 (A) をご参照ください。M200 パワー・サプライの場合、「自動作成」機能を使用すると、アーク・ギャップ・ゲージ設定値を自動で計算します。
2. 124 ページの表を参照して、呼び外径サイズを確認します。測定値に最も近い「実際の」外径サイズを見つけます。
3. アーク・ギャップ・ゲージを調節して 124 ページの表の設定値に合わせます。図8 (B) をご参照ください。

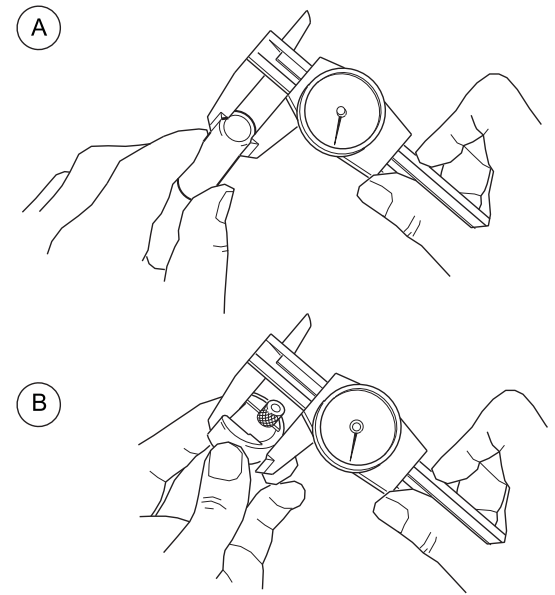


図8：アーク・ギャップ・ゲージを設定する

表 2：SWS-5H (アーク・ギャップ・ゲージ直径：1.244 インチ)

呼び 外径 サイズ (インチ)	実際の 外径 サイズ (インチ)	0.025 インチ のアーキ ギャップ 設定値 (インチ)	0.030 インチ のアーキ ギャップ 設定値 (インチ)	0.035 インチ のアーキ ギャップ 設定値 (インチ)	0.040 インチ のアーキ ギャップ 設定値 (インチ)	0.045 インチ のアーキ ギャップ 設定値 (インチ)	0.050 インチ のアーキ ギャップ 設定値 (インチ)	0.51 mm のアーキ ギャップ 設定値 (mm)	0.64 mm のアーキ ギャップ 設定値 (mm)	0.89 mm のアーキ ギャップ 設定値 (mm)	1.02 mm のアーキ ギャップ 設定値 (mm)
1/8	0.125	0.710	0.715	0.720	0.725	0.730	0.735	17.91	18.04	18.29	18.42
1/4	0.250	0.772	0.777	0.782	0.787	0.792	0.797	19.48	19.61	19.86	19.99
3/8	0.375	0.835	0.840	0.845	0.850	0.855	0.860	21.08	21.21	21.46	21.59
1/2	0.500	0.897	0.902	0.907	0.912	0.917	0.922	22.66	22.79	23.04	23.17
5/8	0.625	0.960	0.965	0.970	0.975	0.980	0.985	24.25	24.38	24.63	24.76

表 3：SWS-5H (アーク・ギャップ・ゲージ直径：31.60 mm)

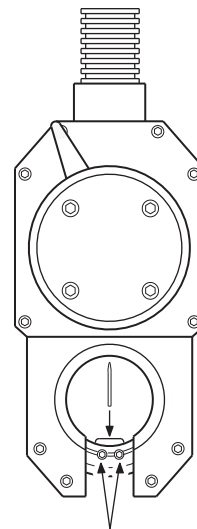
呼び 外径 サイズ (mm)	実際の 外径 サイズ (mm)	0.50 インチ のアーキ ギャップ 設定値 (mm)	0.64 mm のアーキ ギャップ 設定値 (mm)	0.76 mm のアーキ ギャップ 設定値 (mm)	1.02 mm のアーキ ギャップ 設定値 (mm)	1.14 mm のアーキ ギャップ 設定値 (mm)
3	3.00	17.80	17.94	18.06	18.19	18.32
6	6.00	19.30	19.44	19.56	19.69	19.82
8	8.00	20.30	20.44	20.56	20.69	20.82
10	10.00	21.30	21.44	21.56	21.69	21.82
12	12.00	22.30	22.44	22.56	22.69	22.82

表 4：SWS-5H (ATW 継手用アーク・ギャップ・ゲージ直径：31.60 mm)

ATW サイズ	カフ 外径サイズ	0.035 インチ (0.89 mm) の アーキ・ギャップ 設定値
1/4 インチ	0.29 インチ	0.801 インチ
3/8 インチ	0.41 インチ	0.863 インチ
1/2 インチ	0.55 インチ	0.931 インチ
6 mm	7 mm	20.19 mm
8 mm	9 mm	21.20 mm
10 mm	11 mm	22.20 mm
12 mm	13.2 mm	23.32 mm

## 電極のローターへの挿入

1. フィクスチャー・ブロックを取り付けていない状態で、パワー・サプライの「電極交換」を押します。電極が図9の位置に移動します。
2. 2個の電極固定ねじを緩めます。電極を交換する場合は、電極を取り外します。
3. 未使用の電極を差し込みます。その際、電極の鋭利な先端が外側に向いていることを確認します。電極固定ねじを軽く締め付けて、所定の位置に仮留めします。
4. アーク・ギャップ・ゲージを使用して、適切なアーク・ギャップをセットします。



電極固定ねじ

図9：電極を取り付ける



**警告！**

電極に触れている間は「スタート」を押さないでください。



**注意！**

電極を所定の位置に固定するまでは、ローターを回転あるいは動かさないでください。



**注意！**

「電極交換」を押すと、ローターが移動します。ローターに指を挟まないようにご注意ください。

## アーク・ギャップの設定

1. 「ジョグ」または「電極交換」を押してローターを適切な位置にセットします。これで電極固定ねじが確認できるようになります。
2. アーク・ギャップ・ゲージをローターに差し込みます。図 10 (A) をご参照ください。
3. ウェルド・ヘッドを上向きに傾けます。電極固定ねじを緩めると、アーク・ギャップ・ゲージ表面上に電極が落下します。図 10 (B) をご参照ください。
4. 電極を固定できる程度に電極固定ねじを締め付けます。アーク・ギャップ・ゲージを取り外します。
5. 「ホーム」または「電極交換」を押して、ローターをホーム・ポジションに戻します。

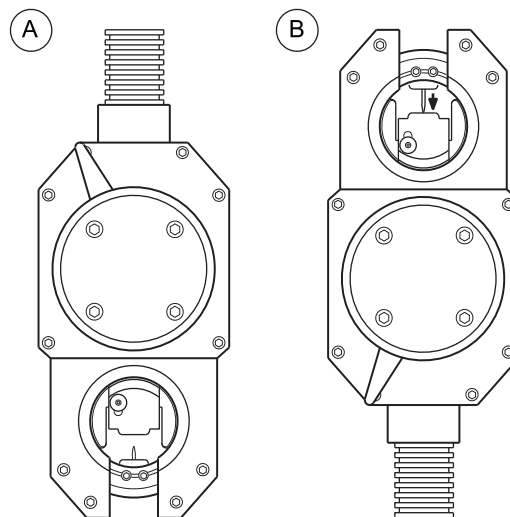


図 10：アーク・ギャップを設定する



### 注意！

電極を所定の位置に固定するまでは、ローターを回転あるいは動かさないでください。



### 注意！

「ジョグ」、「電極交換」、「ホーム」を押すと、ローターが移動します。ローターに指を挟まないようご注意ください。

## 溶接物の準備

溶接前に、適切にチューブを準備することが重要です。図 11 をご参照ください。

再現性のある高品質な自生融解溶接を確実に行うためには、チューブは厳密に直角かつバリのないものでなければなりません。チューブを切断する場合は、金のこあるいはチューブ・カッターを使用してください。チューブの端面は、旋盤あるいはポータブルなフェーシング・ツールを用いて処理してください。チューブ端面のバリ取りを行い、チューブの内径および外径の両方が厳密に直角かつバリのないことをご確認ください。適切な溶剤を用いてチューブ端面のクリーニングを行ってください。

以下のガイドラインに従うことで、高品質の溶接を行うことができます。

- チューブ端面は必ず厳密な直角にしてください。
- チューブ端面は、公称肉厚との公差が  $\pm 15\%$  を超えないようにしてください。
- チューブ端面のバリは必ず取ってください。
- チューブ端面に付着している不純物（さび、グリース、オイル、塗料など）を除去してください。

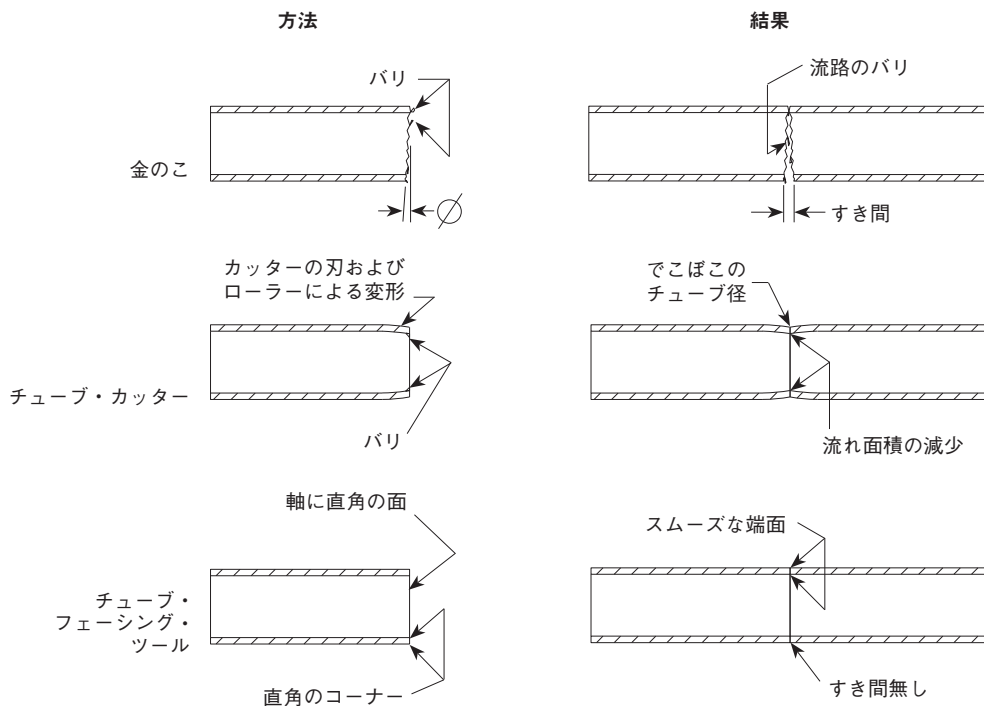


図 11：チューブを準備する

## 溶接物の固定

適切なフィクスチャー・ブロックを選択または構成します。溶接物の外径サイズに適合するコレットを選びます。

### フィクスチャー・ブロックおよびコレットの選択

1. 溶接するチューブの外径サイズに適合するフィクスチャー・ブロックを選びます。

表5：フィクスチャー・ブロック

モデル	対応する外径サイズ	溶接直管部の最小長さ
CWS-5TFB	1/8 ~ 5/8 インチ、 3 ~ 17.3 mm	19 mm
CWS-5FSP1	1/4 インチ	おすナットまたはめすナットを装着した VCR® 継手 または VCO® 継手とエクステンション (長さ：19 mm 未満) を溶接する際に使用
SWS-5FSP1-EX	1/2 インチ	おすナットを装着した VCR 継手 (総継手長さ：45.5 mm 未満) または めすナットを装着した VCR 継手 (総継手長さ：28.4 mm 未満) を溶接する際に使用
CWS-5FSP2	1/8 ~ 1/2 インチ、 6 ~ 12 mm	Micro-Fit® 継手とエクステンション (長さ：6 mm) を保持する際に使用
SWS-5FSP3L	1/8 ~ 1/2 インチ、 3 ~ 12 mm	一部のバルブとエクステンション (長さ：12 mm) を保持する際に使用
SWS-5FSP3R		
SWS-5FSP4L	1/4 ~ 3/8 インチ、 6 ~ 9 mm	Swagelok バルブ (BN、DL、DS、HD、DA、DP シリーズ) と エクステンション (長さ：6 mm) を 保持する際に使用
SWS-5FSP4V		

2. 溶接する部品の直径に適したコレットを選びます。

表6：コレット

モデル	対応する外径サイズ	備考
CWS-5UCI-X <sup>①</sup>	1/8 ~ 5/8 インチ、 3 ~ 17.3 mm	チューブ ミリ・サイズの場合は末尾に MM を付けてください
CWS-5UFCl-.95	—	アダプター・インサート (CWS-5FSP1 サイド・プレート用) を 保持するフィクスチャー・コレット
CWS-5UFCl-X <sup>①</sup>	1/8 ~ 5/8 インチ、 3 ~ 16 mm	チューブ・コレット (5FSP1 および 5FSP2 用)
SWS-5UFCl-EX-.95	—	1/4 インチ・サイズ以下の VCR 継手または VCO 継手に使用するアダプター・インサートを 保持するフィクスチャー・コレット (SWS-5FSP1-EX サイド・プレート用)
CWS-5MWCl-04	1/8 インチ、1/4 インチ、 6 mm	一部のバルブとエクステンション (長さ：12 mm) を保持する際に使用
CWS-5MWCl-06	3/8 インチ、 8 mm、10 mm	Micro-Fit 継手用
CWS-5MWCl-08	1/2 インチ、12 mm	Micro-Fit 継手用
SWS-5F3UCI-X <sup>①</sup>	1/8 ~ 1/2 インチ、 6 mm、8 mm、10 mm	バルブ用

① X 部分にはコレット・サイズ [インチ・サイズ (1/16 インチ刻み) またはミリ・サイズ (末尾が MM)] が入ります。



## チューブ用フィクチャー・ブロック内への コレットの取り付け

1. 両方のレバーを外してチューブ用フィクチャー・ブロックを開きます。図 12 をご参照ください。
2. 上部および下部サイド・プレートの両方にコレットを取り付け、コレット止めネジを締め付けます。コレットの肩とフィクチャー・サイド・プレートに段差がないことを確認します。図 13 (B) をご参照ください。

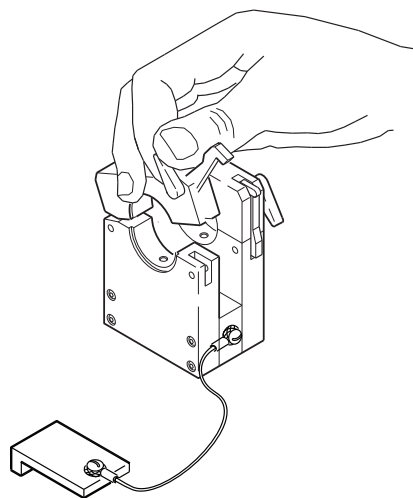


図 12：フィクチャー・ブロックを開く

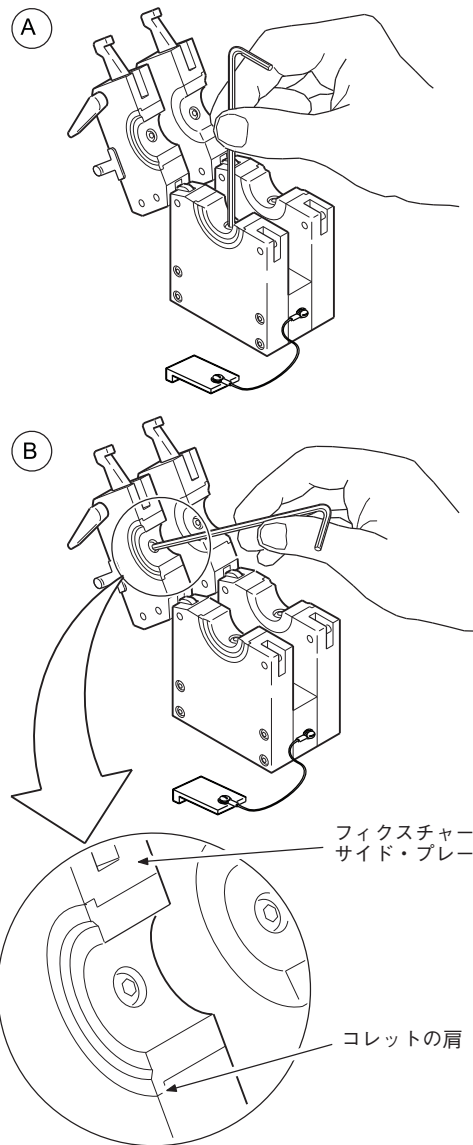


図 13：コレットを取り付ける

## 溶接物とチューブ用フィクスチャー・ブロックの位置合わせ

1. チューブ用フィクスチャー・ブロックの片側にセンタリング・ゲージをセットします。センタリング・ゲージはコレットの幅全体にかかっている必要があります。図 14 をご参照ください。
2. 溶接物をセンタリング・ゲージに突き合わせます。図 15 (A) をご参照ください。
3. 上部サイド・プレートを開いて固定します。図 15 (B) をご参照ください。
4. センタリング・ゲージを取り外します。

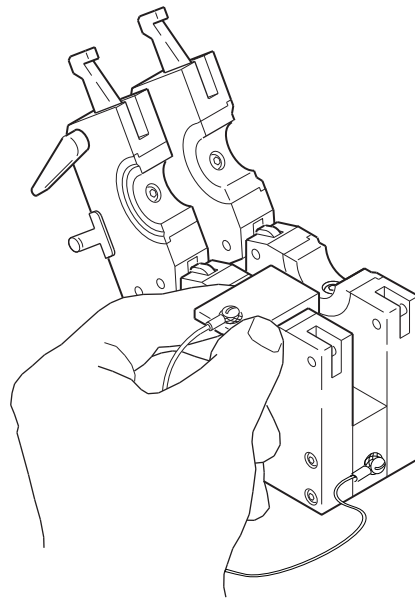


図 14：センタリング・ゲージをセットする

注：  
Swagelok ATW 継手をチューブに溶接する際は、最初にチューブをセンタリング・ゲージに突き合わせてください。

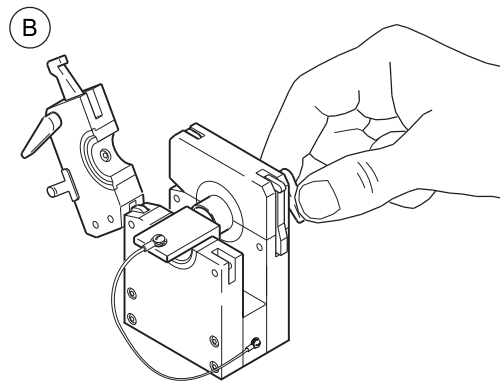
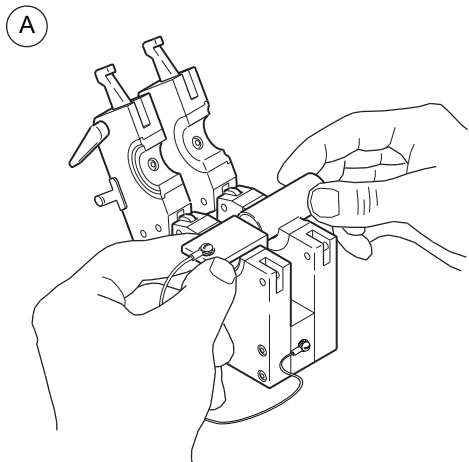


図 15：最初の溶接物をフィクスチャー・ブロックにセットする

5. 2つ目の溶接物を最初の溶接物に突き合わせてから、上部サイド・プレートを開いて固定します。図 16 をご参照ください。
6. 溶接接合部の外周 (360°) 全体を検査し、突き合わせ面にすき間がなく、アライメント (位置合わせ) が正しく行われていることを確認します。アライメント (位置合わせ) がずれている場合は、次のセクションに進んでください。

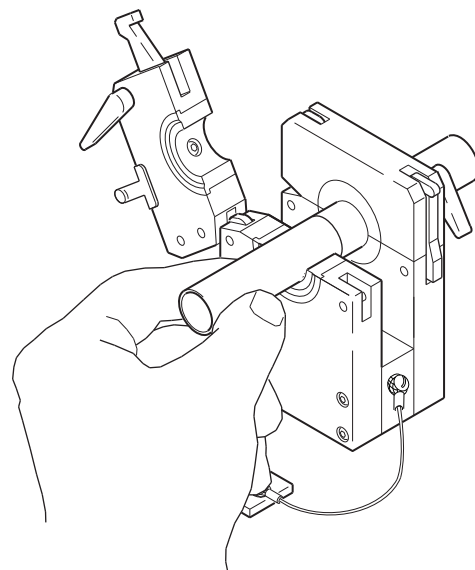


図 16 : 2つ目の溶接物をセットする

### フィクスチャー・ブロックの調節

シリーズ5 フィクスチャー・ブロックはモジュラー・デザインを採用しているため、さまざまな溶接要件に合わせてブロックを組み立てることができます。

フィクスチャー・ブロック内で溶接物を正確にアライメント (位置合わせ) するには、定期的にサイド・プレートの位置合わせを行う必要があります。

以下の事項について記載しています。

- チューブ・チューブ
- Micro-Fit 継手 - チューブ
- Micro-Fit 継手 - Micro-Fit 継手

### チューブ・チューブ用フィクスチャー・ブロック

以下の手順に従って、フィクスチャー・ブロックの位置合わせを行ってください。

1. フィクスチャー・ブロックをひっくり返し、センター・プレート上の方向を示す矢印を見つけてください。この矢印は、適切なサイド・プレートを指し示しています。図 17 をご参照ください。
2. 付属品の 3/32 インチ・サイズの六角レンチを使用して、適切なサイド・プレートのキャップ・ネジ 4 本を緩めて、サイド・プレートをセンター・プレートから少し離します。図 17 を参照して、適切なサイド・プレートを確認します。
3. フィクスチャー・ブロックを上向きに戻し、両方のレバーを外してフィクスチャー・ブロックを両側とも開きます。

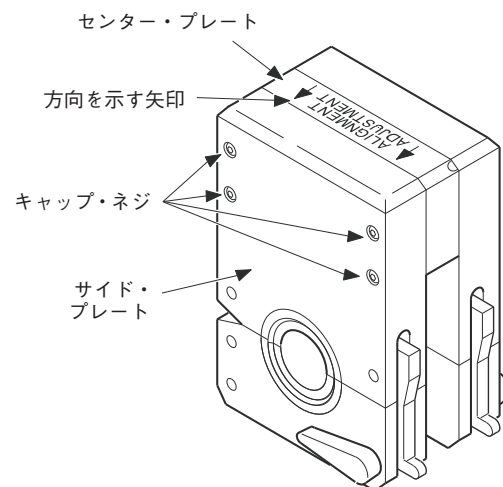


図 17 : サイド・プレートを緩める

4. 両方のサイド・プレートに載る程度の長さの直管チューブ（最小長さ：38.1 mm）をコレットにセットします。
5. 調節ができない方のサイド・プレートを閉じて固定します。図 18 をご参照ください。
6. 緩めた上部サイド・プレートを閉じて固定します。
7. 緩めたサイド・プレートの4本のキャップ・ネジを締め付けます。サイド・プレートの滑落防止のため、キャップ・ネジは均等に締め付けてください。
8. サイド・プレートを開いてチューブを取り外します。

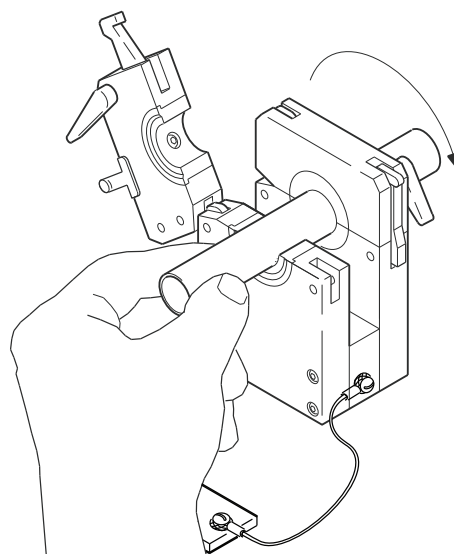


図 18：チューブをセットする

### Micro-Fit 継手—チューブ用フィクスチャー・ブロック

以下の手順に従って、フィクスチャー・ブロックの位置合わせを行ってください。

1. フィクスチャー・ブロックをひっくり返し、センター・プレート上の方向を示す矢印を見つけます。この矢印は、適切なサイド・プレートを指し示しています。図 19 をご参照ください。
2. 付属品の 3/32 インチ・サイズの六角レンチを使用して、適切なサイド・プレートのキャップ・ネジ4本を緩めて、サイド・プレートをセンター・プレートから少し離します。図 19 を参照して、適切なサイド・プレートを確認します。
3. フィクスチャー・ブロックを上向きに戻し、レバーを外してチューブ用サイド・プレートの上部を開きます。
4. Micro-Fit 継手の外径サイズに適合するチューブ・コレットを選んで取り付けます。

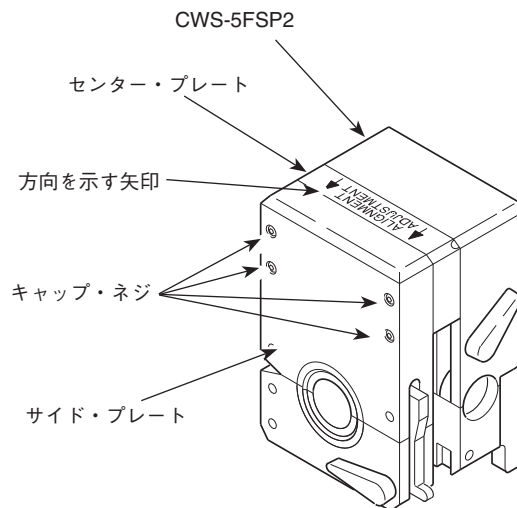


図 19：サイド・プレートを緩める

5. CWS-5FSP2 サイド・プレート上部のラッチを外し、上部を取り外します。図 20 をご参照ください。
6. センタリング・ゲージを使用して、直管チューブ（最小長さ：19.1 mm）をチューブ用サイド・プレートにセットし、上部を閉じて固定します。

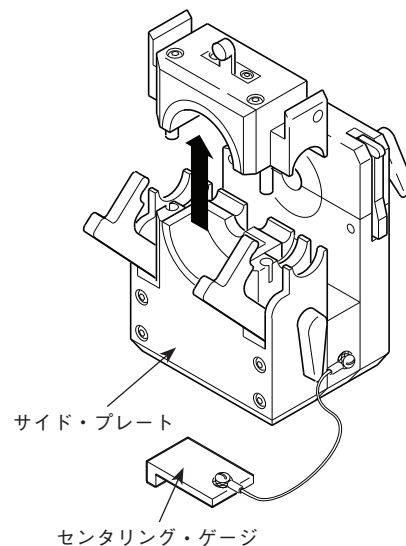


図 20：サイド・プレートの上部を取り外す

7. Micro-Fit 継手を継手用サイド・プレートにセットし、上部をラッチで留めます。
8. Micro-Fit 継手とチューブの位置合わせを行います。図 21 をご参照ください。
9. Micro-Fit 継手とチューブの位置合わせを維持しながら、調節可能型サイド・プレートの 4 個のキャップ・ネジを締め付けます。サイド・プレートの滑落防止のため、キャップ・ネジは均等に締め付けてください。

継手とチューブの位置合わせを行う

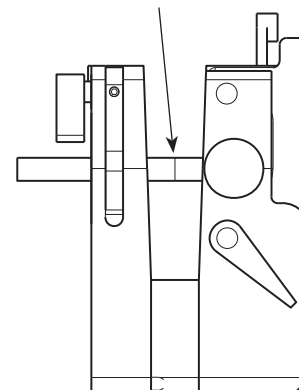


図 21：Micro-Fit 継手とチューブの位置合わせを行う

## Micro-Fit 継手－ Micro-Fit 継手用 フィクチャー・ブロック

以下の手順に従って、フィクチャー・ブロックの位置合わせを行ってください。

1. フィクチャー・ブロックをひっくり返し、センター・プレート上の方向を示す矢印を見つめます。この矢印は、適切なサイド・プレートを指し示しています。図 22 をご参照ください。
2. 付属品の 3/32 インチ・サイズの六角レンチを使用して、適切なサイド・プレートのキャップ・ネジ 4 本を緩めて、サイド・プレートをセンター・プレートから少し離します。図 22 を参照して、適切なサイド・プレートを確認します。

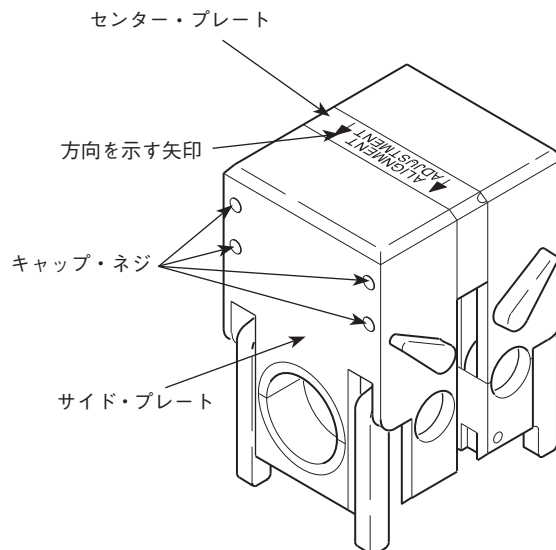


図 22：サイド・プレートを緩める

3. フィクチャー・ブロックを上向きに戻し、CWS-5FSP2 サイド・プレートの上部を取り外します。図 23 をご参照ください。
4. センタリング・ゲージを使用して、1 つ目の Micro-Fit 継手をいずれかのサイド・プレートにセットします。
5. 手順 4 のサイド・プレートを再度取り付けます。
6. 2 つ目の Micro-Fit 継手をもうひとつのサイド・プレートに差し込み、上部を閉じます。

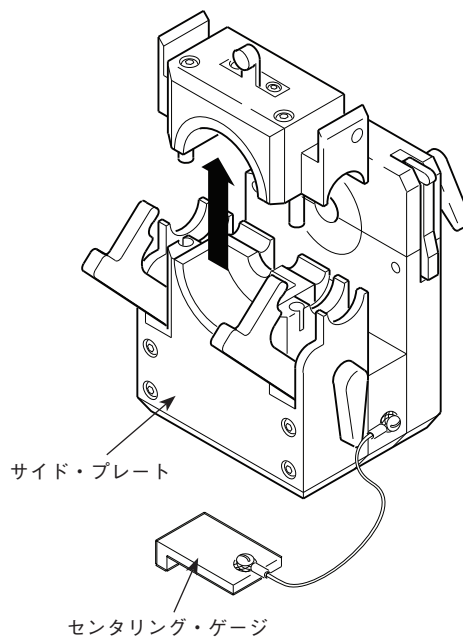


図 23：サイド・プレートの上部を取り外す

7. 緩めたサイド・プレートを調節して、2個の Micro-Fit 継手の位置合わせを行います。図 24 をご参照ください。
8. 継手と継手の位置合わせを維持しながら、調節可能型サイド・プレートの4個のキャップ・ネジを締め付けます。サイド・プレートの滑落防止のため、キャップ・ネジは均等に締め付けてください。

継手と継手の位置合わせを行う

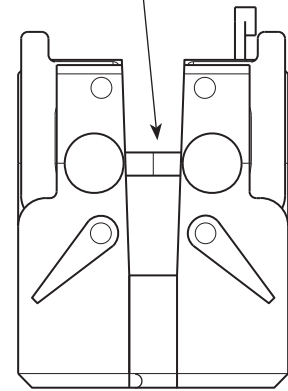


図 24 : Micro-Fit 継手の位置合わせを行う

## ウェルド・ヘッドとフィクチャー・ブロックの取り付け

1. ウェルド・ヘッドのロックンク・レバーを反時計回りにまわします (止まるまで)。図 25 をご参照ください。
2. ウェルド・ヘッドをフィクチャー・ブロックに差し込みます。図 26 (A) をご参照ください。
3. ロックンク・レバーを時計回りにまわしてウェルド・ヘッドを固定します。図 26 (B) をご参照ください。

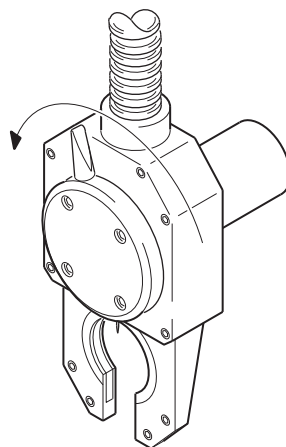


図 25：ロックンク・レバーを外す

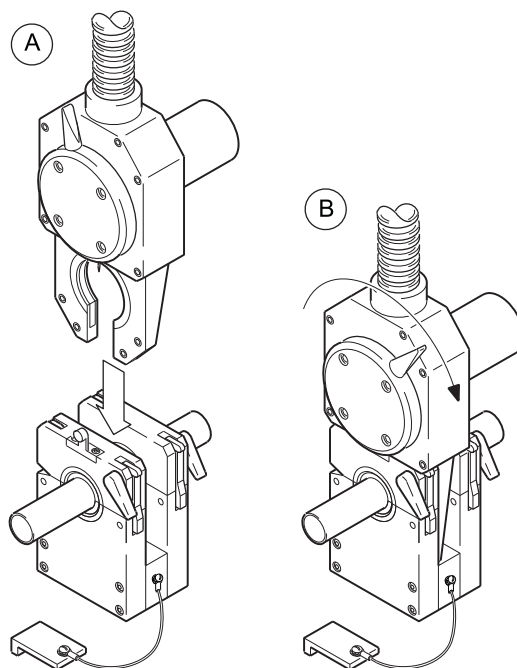


図 26：ウェルド・ヘッドとフィクチャー・ブロックを組み立てる



## ウェルド・ヘッドの操作

ウェルド・ヘッドを操作する際は、以下のパラメーターを使用してください。

シールド・ガス流量 (std L/min)	4.7 ~ 9.5 <sup>①</sup>
最小プリバージおよび ポストバージ時間 (秒)	20 <sup>②</sup>
最大推奨平均電流値	55 A (使用率 50%) <sup>③</sup> 70 A (使用率 35%)

① 溶接電流が高い時は、流量を高めに設定してください。

② 高電流率で溶接する際は、連続的に流して冷却してください。

③ ウェルド・ヘッド延長ケーブル(オプション)を使用する際は、出力電流が下がる場合があります。

## メンテナンス

Swagelok ウェルディング・システム (SWS) 装置が常に正常に機能するように、システム部品の定期的なメンテナンスを行ってください。

本セクションでは、フィクスチャー・ブロックおよびウェルド・ヘッドのメンテナンス手順について説明します。

部品の詳細図および各部品をご注文の際は、本マニュアルの「**構成部品の分解図**」の項をご参照ください。

フィクスチャー・ブロックのメンテナンスは、毎日かつ溶接を 1,000 ～ 1,200 回行う毎に行ってください。

使用状況と磨耗の状態によっては、溶接回数が 1,000 回以下の場合でもメンテナンスを行ってください。

### 注：

本セクションの手順を行っている際に問題が生じた場合は、パワー・サプライ・ユーザー・マニュアルの「トラブルシューティング」の項を参照するか、スウェーヂロック指定販売会社までお問い合わせください。

### 注：

不良部品があれば交換してください。交換用部品はスウェーヂロック指定販売会社からご購入いただけます。

## フィクチャー・ブロックの毎日のメンテナンス

日常の作業前に以下の作業を行ってください。

1. フィクチャー・ブロックに汚れ、磨耗、損傷が生じていないか検査します。図 27 をご参照ください。
2. 清潔な柔らかい布を使用して、フィクチャー・ブロックから汚れ、カーボン、付着物を取り除きます。アルコールやアセトンなどの溶剤を使用することも可能です。頑固な付着物は、目の細かい研磨パッドを使用して取り除いてください。

日常の作業後に、フィクチャー・ブロックのクリーニングを行い、乾燥した場所に保管してください。

## フィクチャー・ブロックの定期的なメンテナンス

溶接を 1,000 ~ 1,200 回行う毎に以下の作業を行ってください。

1. コレットの検査およびクリーニングを行います。図 27 (A) をご参照ください。
2. スクラッチ傷やへこみが点検します。
3. 柔らかいステンレス鋼製ワイヤー・ブラシを使用して、コレットの全表面から汚れや酸化物を取り除きます。
4. 目の細かい研磨パッドを使用して、サイド・プレートの陽極酸化処理していない接合表面から酸化物を取り除きます。図 27 (B) をご参照ください。
5. 清潔な柔らかい布を使用して、サイド・プレートの内面から汚れや酸化物を取り除きます。図 27 (C) をご参照ください。頑固な付着物は、目の細かい研磨パッドを使用して取り除いてください。
6. レバー・カムおよびラッチがスムーズに動作するか点検します。図 28 をご参照ください。
  - a. ラッチから止めネジを取り外し、フィクチャー・ブロックからレバー・カムを引いて取り外します。
  - b. 必要であれば、レバー・カムのクリーニングを行い、潤滑剤を薄く塗布します。
  - c. 止めネジを元通りに取り付け、所定の位置にしっかりと固定されていることを確認します。
7. フィクチャー・ブロックが溶接物を適切に固定していることを確認します。
  - a. コレットをフィクチャー・ブロックの片側に取り付けます。
  - b. コレットと同じサイズのチューブを差し込み、レバー・カムを使用してフィクチャー・ブロックを閉じます。
  - c. チューブがコレットの中でまわらないことを確認します。
  - d. チューブがコレットの中でスライドしないことを確認します。
  - e. チューブがコレットの中で上下左右に動かないことを確認します。
  - f. もう一方のフィクチャー・ブロックについても、同じ手順で溶接物が適切に固定されていることを確認します。

修理が必要なフィクチャー・ブロックの返送先につきましては、スウェーデン指定販売会社までお問い合わせください。

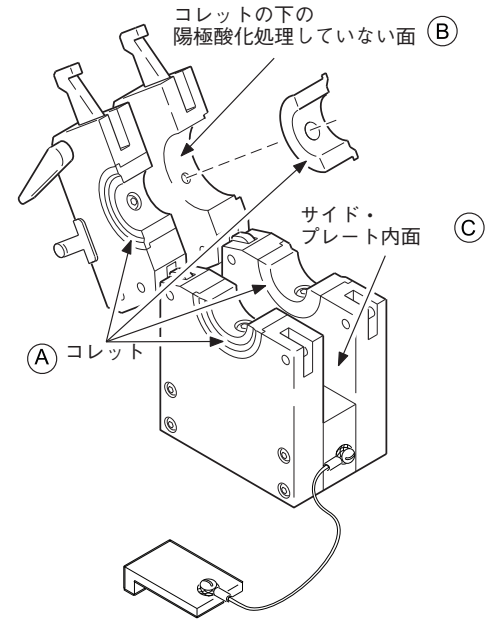


図 27：コレットおよびコレット取り付け面のクリーニングを行う

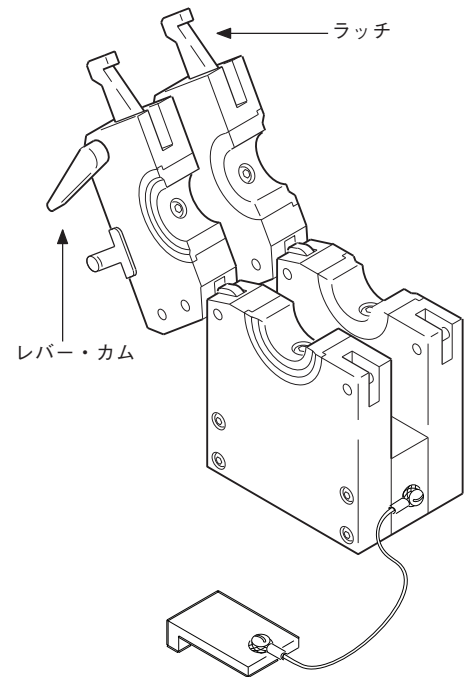


図 28：レバー・カムおよびラッチ

### 注：

摩耗や損傷が生じている場合、またはフィクチャー・ブロックが溶接物を適切に固定できない場合、そのフィクチャー・ブロックは絶対に使用しないでください。

## ウェルド・ヘッドの毎日のメンテナンス

ウェルド・ヘッドのメンテナンスは、毎日かつ溶接を1,000～1,200回行う毎に行ってください。使用状況と磨耗の状態によっては、溶接回数が1,000回以下の場合でもメンテナンスを行ってください。

日常の作業前に以下の作業を行ってください。

1. ウェルド・ヘッドが汚れていないか検査します。特にローター部分を注意してご確認ください。
2. 「ジョグ」を押します。ローターがスムーズに回転するか点検します。「ジョグ」を押してローターの回転を止めます。ローターの回転が安定しない、または機械音が大きい場合は、ウェルド・ヘッドを分解して、ローター、ギア、ブラシのクリーニングを行います。「ウェルド・ヘッドの分解／クリーニング」の項をご参照ください。
3. 「ホーム」を押し、ローターをホーム・ポジションに戻します。

日常の作業後に以下の作業を行ってください。

1. 清潔な柔らかい布およびイソプロピル・アルコールなどの溶剤を使用して、ウェルド・ヘッドから汚れ、カーボン、付着物を取り除きます。
2. ウェルド・ヘッドを清潔で乾燥した場所に保管します。



### 警告！

調節やメンテナンスを行う場合は、必ず事前にワーク・ケーブルおよび電極ケーブルをパワー・サプライから取り外してください。

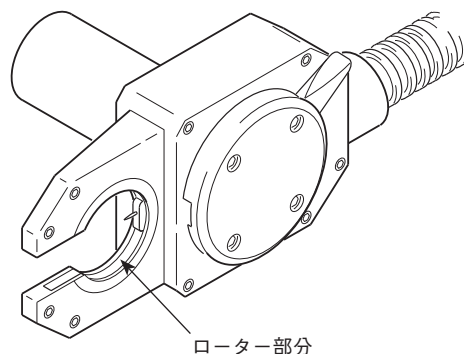


図 29：ウェルド・ヘッドの露出面を検査する



### 注意！

潤滑油はウェルド・ヘッド内部に使用しないでください。



### 注意！

「ジョグ」または「ホーム」を押すと、ローターが移動します。ローターに指を挟まないようにご注意ください。

## ウェルド・ヘッドの分解／クリーニング

本セクションでは、ウェルド・ヘッドおよびローターの分解方法について説明します。

### ウェルド・ヘッド

以下の手順に従って、ウェルド・ヘッドを分解してください。

1. クリーンで低圧の空気を吹きつけて、ウェルド・ヘッド・アセンブリーからすべてのゴミを取り除きます。
2. ねじ4本、ロックリング、ロックリング・プレートを取り外します。図30をご参照ください。

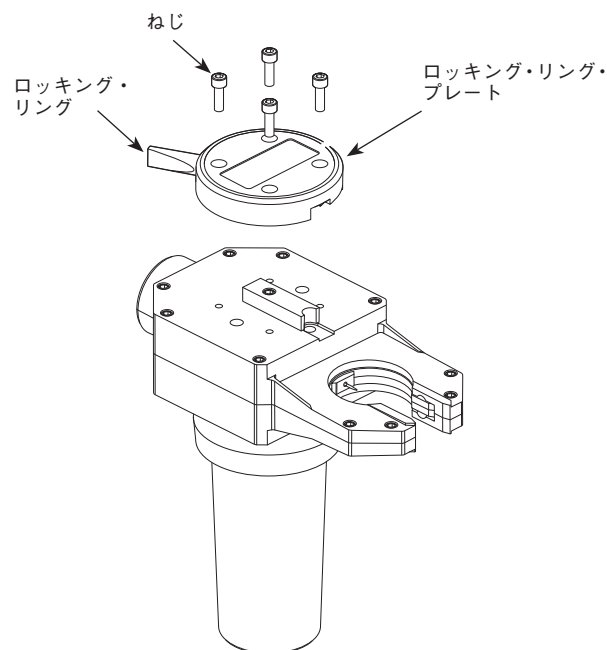


図30：ロックリングおよびロックリング・プレートを取り外す

3. ワーク・エクステンション・ネジ、ロック・ワッシャー、ワーク・エクステンションを取り外します。ワーク・エクステンションにピット、磨耗、損傷が生じていないか検査します。図31をご参照ください。
4. 必要であればワーク・エクステンションを交換します。各部品をご注文の際は、本マニュアルの「構成部品の分解図」の項をご参照ください。

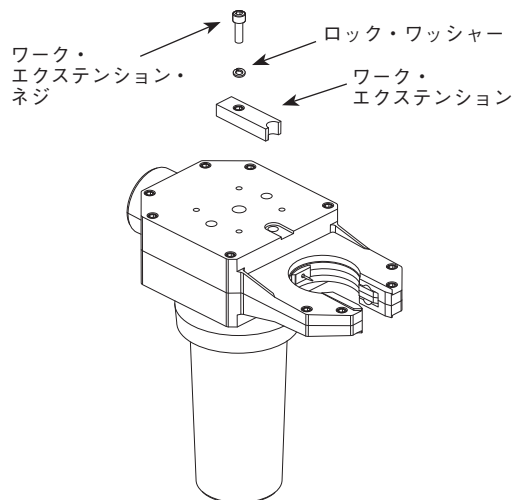


図31：ワーク・エクステンションを取り外す

5. ハウジングからウェルド・ヘッド・ハウジング・ネジを取り外します。軽く揺り動かすようにして、ワーク側ウェルド・ヘッド・ハウジングをモーター側ハウジングから外します。図 32 をご参照ください。
6. 内部部品が損傷しないよう注意しながらウェルド・ヘッド・ハウジングを外します。図 32 をご参照ください。
7. ローターをモーター側ウェルド・ヘッド・ハウジングから取り外します。図 33 をご参照ください。
8. パワー・ブロック・サブアセンブリーを持ち上げて、モニター側ウェルド・ヘッド・ハウジングから取り外します。図 34 をご参照ください。

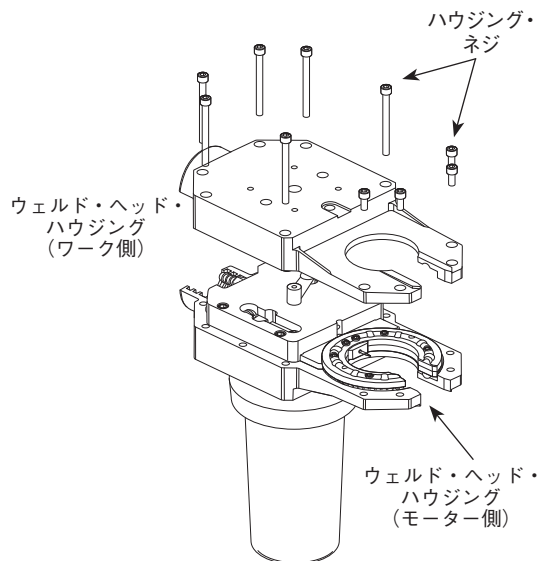


図 32：ワーク側ウェルド・ヘッド・ハウジングを取り外す

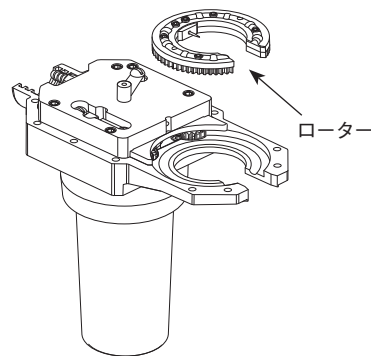


図 33：ローターを取り外す

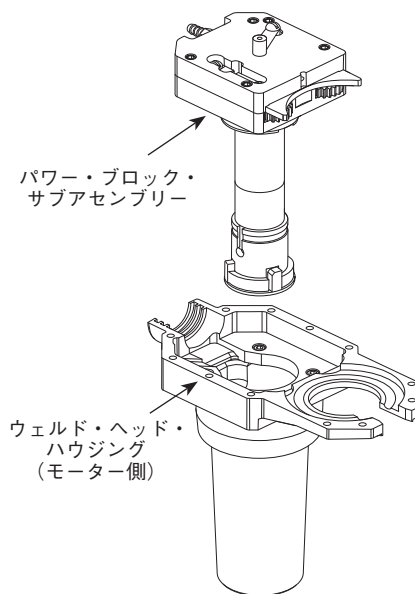


図 34：パワー・ブロック・サブアセンブリーを取り外す

9. ブラシの検査を行います。図 35 をご参照ください。  
以下の手順に従って、ブラシの検査およびクリーニングを行ってください。
- ブラシに過度の摩耗がないか点検します。
  - ブラシに溝があることを確認します。溝がない場合はブラシを交換します。各部品をご注文の際は、本マニュアルの「構成部品の分解図」の項をご参照ください。
  - 目の細かい研磨パッドを使用して、ブラシから酸化物を取り除きます。
10. クリーンで低圧のドライ・エアを吹きつけて、パワー・ブロック・アセンブリーからゴミを取り除きます。
11. パワー・ストラップねじが2本とも締め付けられていることを確認します。図 36 をご参照ください。
12. ワーク・プレートねじが締め付けられていること、過度の酸化が生じていないことを確認します。図 37 をご参照ください。必要であれば目の細かい研磨パッドを使用して、ワーク・プレートのクリーニングを行います。
13. ギアに摩耗が生じていないか検査し、損傷している場合は交換します。各部品をご注文の際は、本マニュアルの「構成部品の分解図」の項をご参照ください。

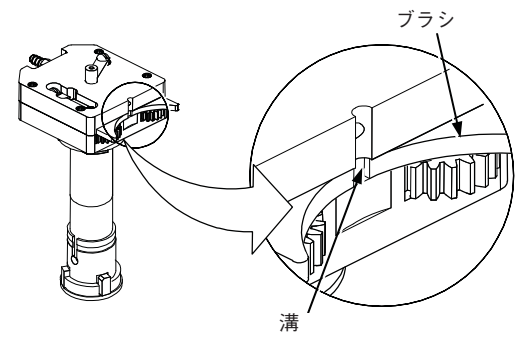


図 35：ブラシの検査を行う

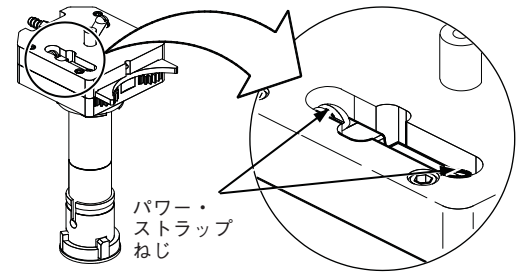


図 36：パワー・ストラップねじの検査を行う

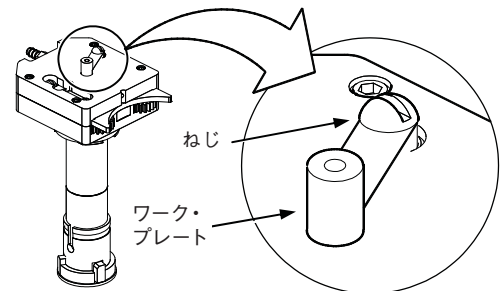


図 37：ワーク・プレートおよびねじの検査を行う

## ローター

以下の手順に従って、ローターを分解してください。

1. ローターねじおよび電極固定プレートねじをローターから取り外します。電極をセラミック・インサートから取り外します。図 38 をご参照ください。
2. 清潔で乾燥した面にローターを置きます。その際、ローター開口部を上向きにします。2本のローター・ピンが確認できる程度にギア・リングをブラシ・リングから離します。図 39 をご参照ください。
3. ギア・リングをブラシ・リングから完全に離します（図 40 参照）。ギア・リングを作業台の上に平らに置きます。
4. ボール・ベアリングをギア・リングおよびブラシ・リングから取り外します。
5. ボール・ベアリングに磨耗や損傷が生じていないか検査します。必要であれば、交換します。
6. ボール・ベアリングが汚れている場合は、イソプロピル・アルコールまたは洗剤を使用してクリーニングを行います。ボール・ベアリングを十分に乾燥させます。

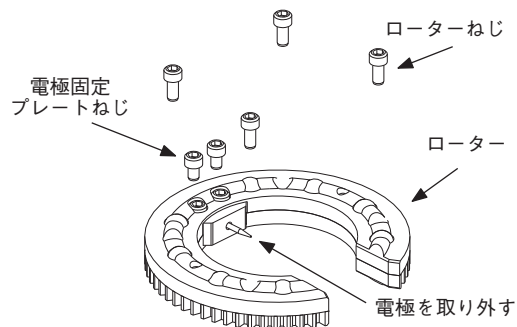


図 38：ローターおよび電極固定プレートねじを取り外す

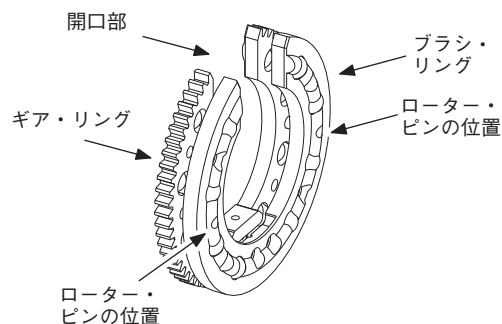


図 39：作業台上にローターを設置する

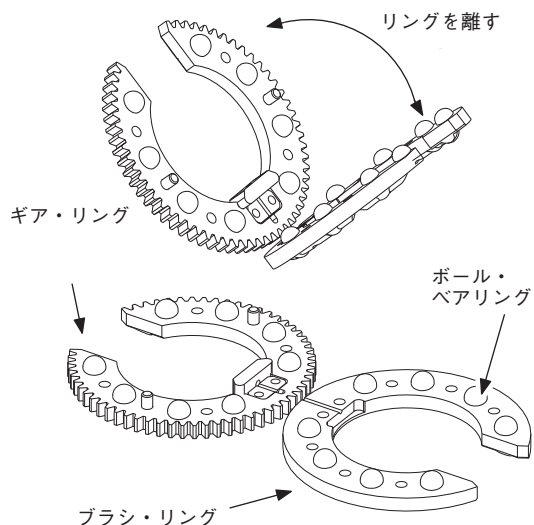


図 40：ギア・リングをブラシ・リングから取り外す



7. セラミック・インサートを取り外します。図 41 をご参照ください。
8. セラミック・インサートの検査を行います。カーボンなどが付着している場合は、目の細かい研磨パッドまたは柔らかいナイロン製ブラシを使用してクリーニングを行います。
9. 電極固定プレートを取り外し、目の細かい研磨パッドを使用してクリーニングを行います。図 42 をご参照ください。
10. ブラシ・リングおよびギア・リングに汚れや付着物がないか検査します。目の細かい研磨パッドまたは柔らかいステンレス鋼製ワイヤー・ブラシを使用して、ギア・リングのクリーニングを行います。
11. 再組み立てを行う前に、クリーンで低圧のドライ・エアを吹きつけて、すべての部品を乾燥させます。

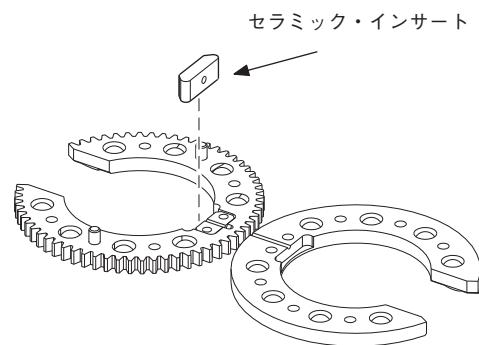


図 41：セラミック・インサートを取り外す

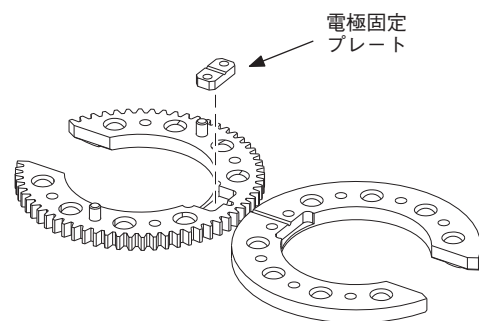


図 42：電極固定プレートを取り外す

## ウェルド・ヘッドの組み立て

ウェルド・ヘッドおよびローターを組み立てる際は、分解手順と逆の順序で行ってください。

以下の手順に従って、ウェルド・ヘッドを組み立ててください。

1. 「ローター」の項の手順を逆にいきます。
2. 「ウェルド・ヘッドの分解／クリーニング」の項の手順を逆にいきます。
3. ローターの位置が適切であることを確認します。図 43 をご参照ください。



**注意！**

再取り付けの際に、内部の配線を挟み込まないでください。

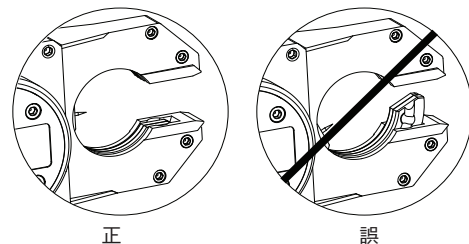


図 43：ローターの位置



## 構成部品の分解図

本セクションでは、分解図および関連部品のリストを記載しています。分解図を参照することで、部品名を容易に確認することができます。各部品のご注文につきましては、スウェーデンロック指定販売会社までお問い合わせください。

本セクションでは、以下の製品の部品を記載しています。

- SWS-5H ウェルド・ヘッド
- SWS-5H ローター・アセンブリー
- SWS-5H モーターおよびパワー・ブロック・アセンブリー
- CWS-5TFB チューブ用フィクスチャー・ブロック
- CWS-5FSP1 特殊用途向けフィクスチャー・ブロック
- SWS-5FSP1-EX 特殊用途向けフィクスチャー・ブロック
- CWS-5FSP2 特殊用途向けフィクスチャー・ブロック
- SWS-5FSP3L サイド・プレート
- SWS-5FSP3R サイド・プレート
- SWS-5FSP4L サイド・プレート
- SWS-5FSP4R サイド・プレート

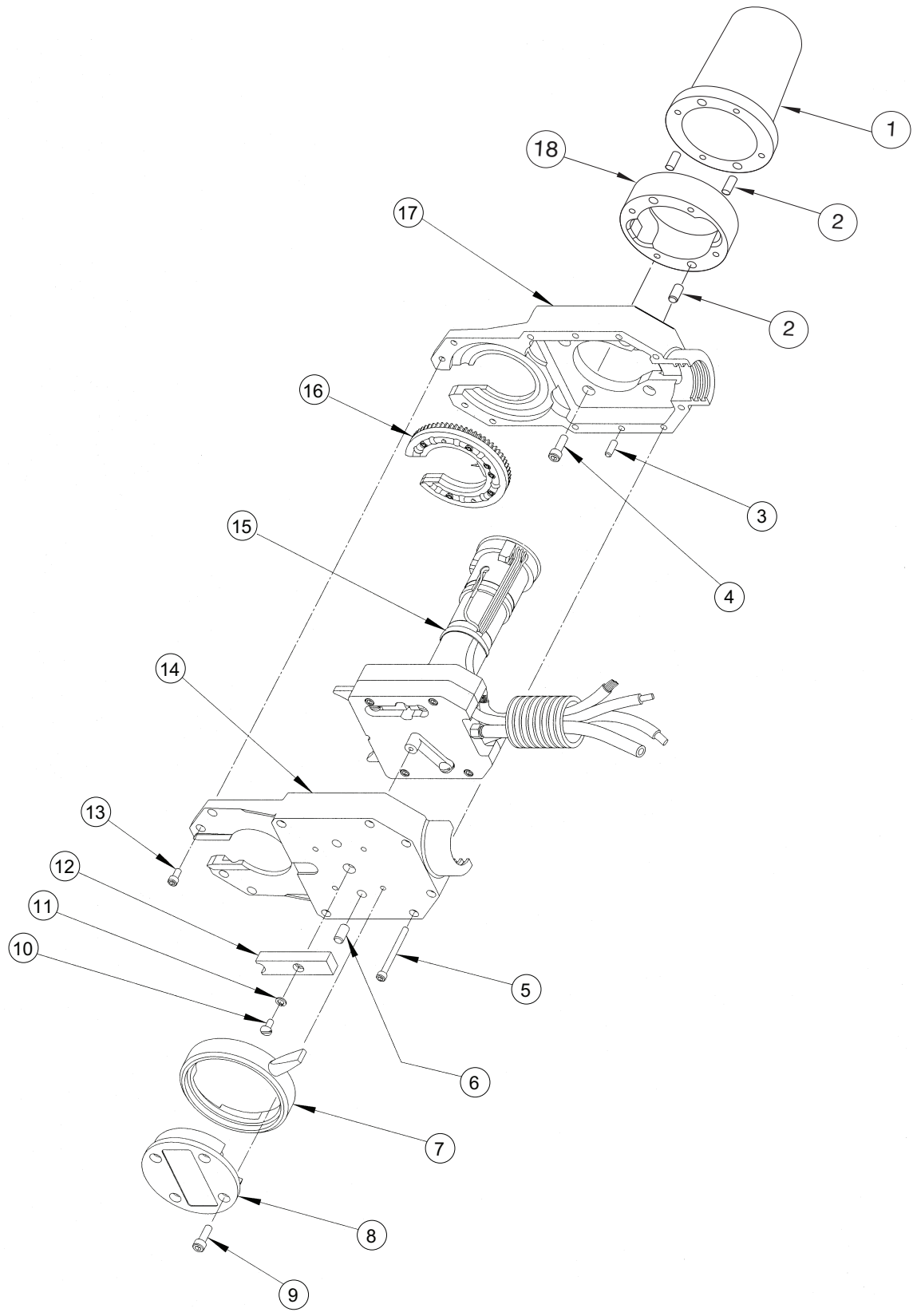


図 44 : SWS-5H ウェルド・ヘッド

表7：SWS-5H ウェルド・ヘッド構成部品リスト

参照番号	名称	型番	最小注文数量
1	モーター・カバー	SWS-WH-MT-CVR	1
2	ドゥエル・ピン	*	*
3	ドゥエル・ピン	*	*
4	ステンレス鋼製ソケット・ヘッド・キャップ・ネジ (6-32×1.000インチ)	188-SCSA-138-32-1000	10
5	ステンレス鋼製ソケット・ヘッド・キャップ・ネジ (4-40×1.250インチ)	13162	10
6	ドゥエル・ピン	*	*
7	ロッキング・リング	21065	1
8	ロッキング・リング・プレート	SWS-WH-LK-RNG-PLT	1
9	プラスチック製ソケット・ヘッド・キャップ・ネジ (6-32×0.437インチ)	13105	10
10	ステンレス鋼製ボタン・ヘッド・ネジ (4-40×0.250インチ)	188-21066-RCEU	10
11	スプリット・ロック・ワッシャー	13208	10
12	ワーク (+)・エクステンション・バー	21093	1
13	ステンレス鋼製ソケット・ヘッド・キャップ・ネジ (4-40×0.260インチ) (加工済み)	13182	10
14	ハウジング (ワーク側)	SWS-5H-D-WSH	1
15	モーター・アセンブリー	*	*
16	ローター・アセンブリー	SWS-5H-RTR	1
17	ハウジング (モーター側)	SWS-5H-D-MSH	1
18	ウェルド・ヘッド・モーター・カバー・エクステンション	SWS-WH-MT-CVR-EXT	1

各部品のご注文につきましては、スウェーデンロック指定販売会社までお問い合わせください。

\*ユーザーよりの現場交換用の予備品としてはご注文いただけません。

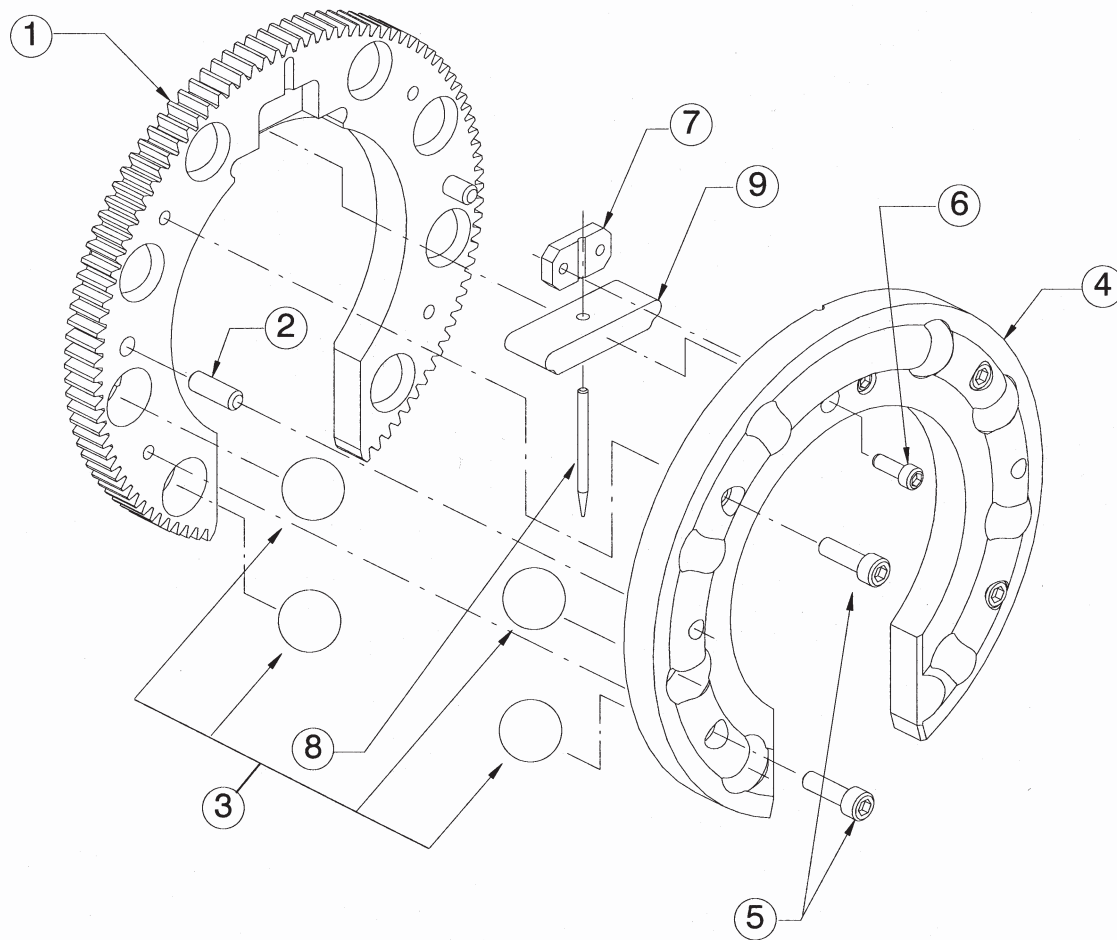


図 45 : SWS-5H ローター・アセンブリー

表 8 : SWS-5H ローター・アセンブリー構成部品リスト

参照番号	名称	型番	最小注文数量
1	ローター・ギア・リング	SWS-5H-RTR-GEAR	1
2	ドゥエル・ピン	*	*
3	プラスチック製ボール・ベアリング (0.187 インチ)	11153	10
4	ローター・ブラシ・リング	SWS-5H-RTR-BRUSH	1
5	ステンレス鋼製ソケット・ヘッド・キャップ・ネジ (2-56×0.187 インチ)	13111	10
6	ステンレス鋼製ソケット・ヘッド・キャップ・ネジ (2-56×0.125 インチ)	13110	10
7	電極固定プレート	11108	1
8	電極表 (120 ページ) をご参照ください。	—	—
9	セラミック・インサート	11132	1

各部品のご注文につきましては、スウェージロック指定販売会社までお問い合わせください。

\* ユーザーよりの現場交換用の予備品としてはご注文いただけません。

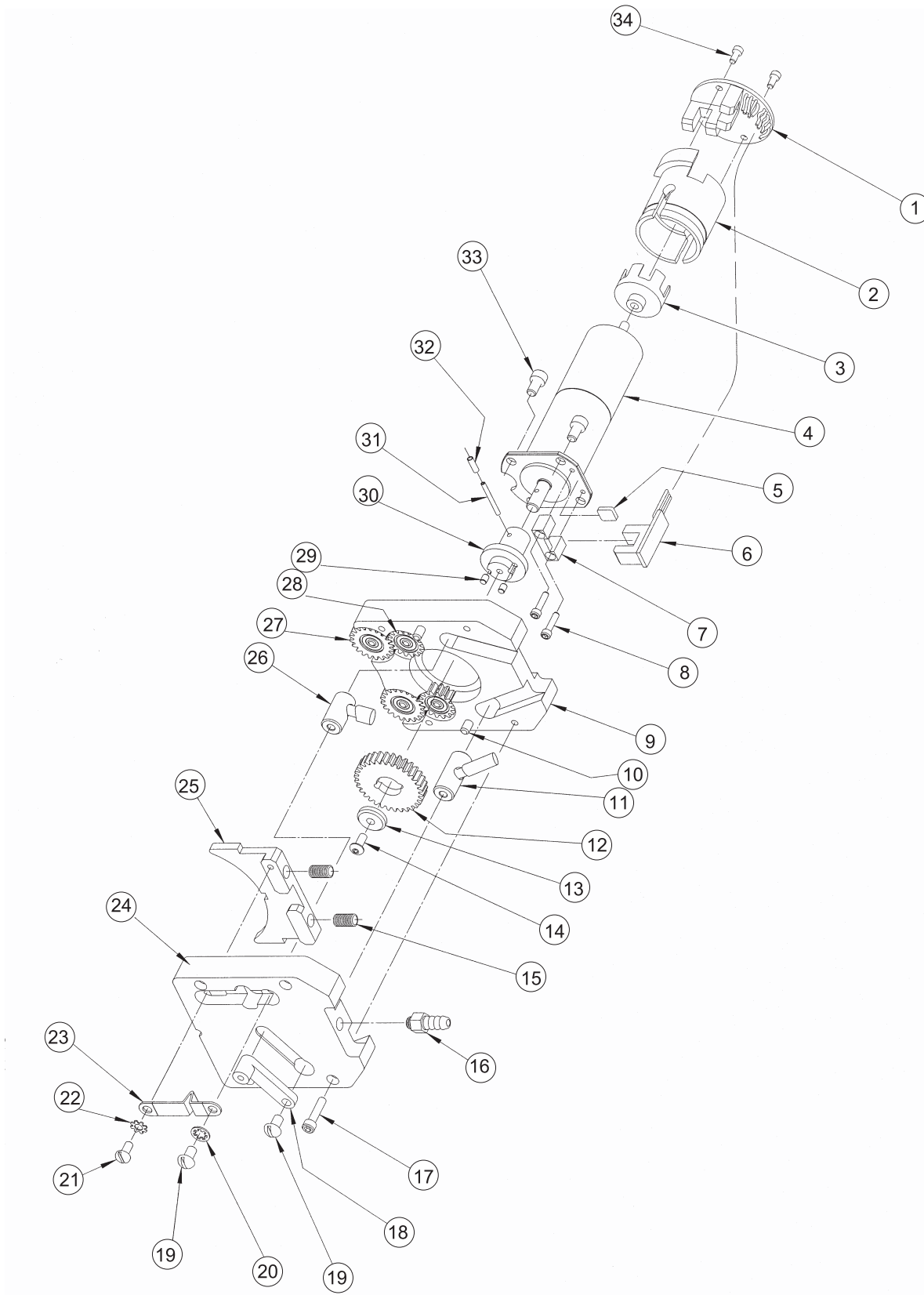


図 46 : SWS-5H モーターおよびパワー・ブロック・アセンブリー



表9：SWS-5H モーターおよびパワー・ブロック・アセンブリー構成部品リスト

参照番号	名称	型番	最小注文数量
1	エンコーダー・ボード	10708-A-RCEU	1
2	スリーブ・センサー・マウント	*	*
3	エンコーダー・ホイール	*	*
4	モーター	*	*
5	ホーム・センサー・マウント・シム	11126	1
6	ホーム・センサー	10709-RCEU	1
7	ホーム・センサー・マウント	11125	1
8	ステンレス鋼製ソケット・ヘッド・キャップ・ネジ (2-56×0.375 インチ)	13145	10
9	パワー・ブロック (モーター側)	21126	1
10	ドゥエル・ピン	*	*
11	ワーク (+) ・ポスト	*	*
12	ドライブ・ギア	SWS-5H-DR-GR	1
13	リテーナー・ワッシャー	SWS-WH-DR-RET-WSHR	1
14	ステンレス鋼製ボタン・ヘッド・キャップ・ネジ (4-40×0.250 インチ)	13167	10
15	ブラシ・スプリング	MW-CSC-180-014-310-SG	10
16	パージ継手	B-BN4-K62	1
17	ステンレス鋼製ソケット・ヘッド・キャップ・ネジ (4-40×0.500 インチ)	13163	10
18	ワーク・プレート	11053-A	1
19	ステンレス鋼製丸ねじ (6-32×0.250 インチ)	188-13124-RCEU	10
20	ステンレス鋼製 #6 ロック・ワッシャー	410-13251-RCEU	10
21	ステンレス鋼製なべ小ねじ (4-40×0.250 インチ)	188-21066-RCEU	10
22	ステンレス鋼製 #4 外部星型ワッシャー	13171	10
23	パワー・ストラップ	11117-RCEU	1
24	パワー・ブロック (ワーク側)	21207	1
25	ブラシ	SWS-5H-BRUSH	1
26	パワー・ポスト	*	*
27	ギア・アセンブリー	10009-4	1
28	ギア・アセンブリー	10009-3	1
29	ステンレス鋼製ドゥエル・ピン (0.093×0.125 インチ)	13133	10
30	ドライブ・カブラー	*	*
31	ドライブ・カブラー・ピン	*	*
32	ドライブ・カブラー・ピン・スリーブ	*	*
33	ステンレス鋼製ソケット・ヘッド・キャップ・ネジ (6-32×0.250 インチ)	13174	10
34	ステンレス鋼製ソケット・ヘッド・キャップ・ネジ (2-56×0.187 インチ)	13111	10

各部品のご注文につきましては、スウェーじロック指定販売会社までお問い合わせください。

\* ユーザーよりの現場交換用の予備品としてはご注文いただけません。

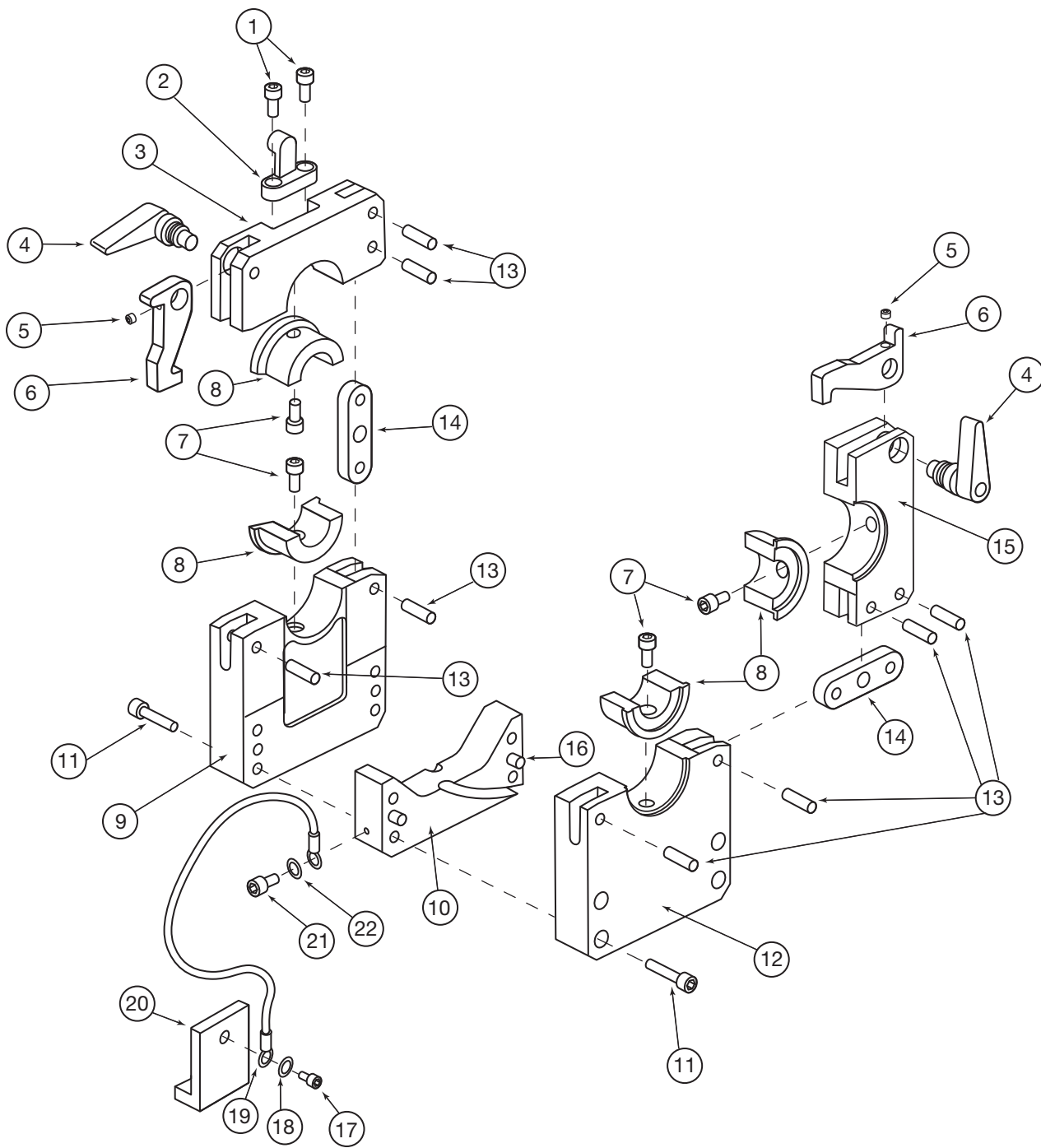


図 47 : CWS-5TFB チューブ用フィクチャー・ブロック

表 10 : CWS-5TFB チューブ用フィクスチャー・ブロック構成部品リスト

参照番号	名称	型番	最小注文数量
1	ステンレス鋼製ソケット・ヘッド・キャップ・ネジ (4-40×0.250 インチ)	13112	10
2	ロック・タブ	12134	1
3	下部サイド・プレート (左)	CWS-5TSPL	1
4	レバー・カム・アセンブリー	12130-2	1
5	ステンレス鋼製止めネジ (4-40×0.125 インチ)	12132	10
6	ラッチ	12131	1
7	ステンレス鋼製ソケット・ヘッド・キャップ・ネジ (4-40×0.250 インチ)	13112	10
8	コレットの表をご参照ください [製品カタログ『円周溶接機 (オービタル・ウェルディング・システム) シリーズ 5』(MS-02-129) に掲載]	-	-
9	上部サイド・プレート (左)	CWS-5TSPL	1
10	センター・プレート・アセンブリー	CWS-5PLEN	1
11	ステンレス鋼製ソケット・ヘッド・キャップ・ネジ (4-40×0.563 インチ)	13115	10
12	上部サイド・プレート (右)	CWS-5TSPR	1
13	ドゥエル・ピン	*	*
14	ヒンジ	*	*
15	下部サイド・プレート (右)	CWS-5TSPR	1
16	ドゥエル・ピン	*	*
17	ステンレス鋼製ソケット・ヘッド・キャップ・ネジ (4-40×0.187 インチ)	13207	10
18	ステンレス鋼製 #4 外部星型ワッシャー	13171	10
19	6 インチ・コード	410-003	1
20	センタリング・ゲージ	CWS-5CG	1
21	ステンレス鋼製ソケット・ヘッド・キャップ・ネジ (4-40×0.250 インチ)	13112	10
22	ステンレス鋼製 #4 外部星型ワッシャー	13171	10

各部品のご注文につきましては、スウェーجزロック指定販売会社までお問い合わせください。

\*ユーザーよりの現場交換用の予備品としてはご注文いただけません。

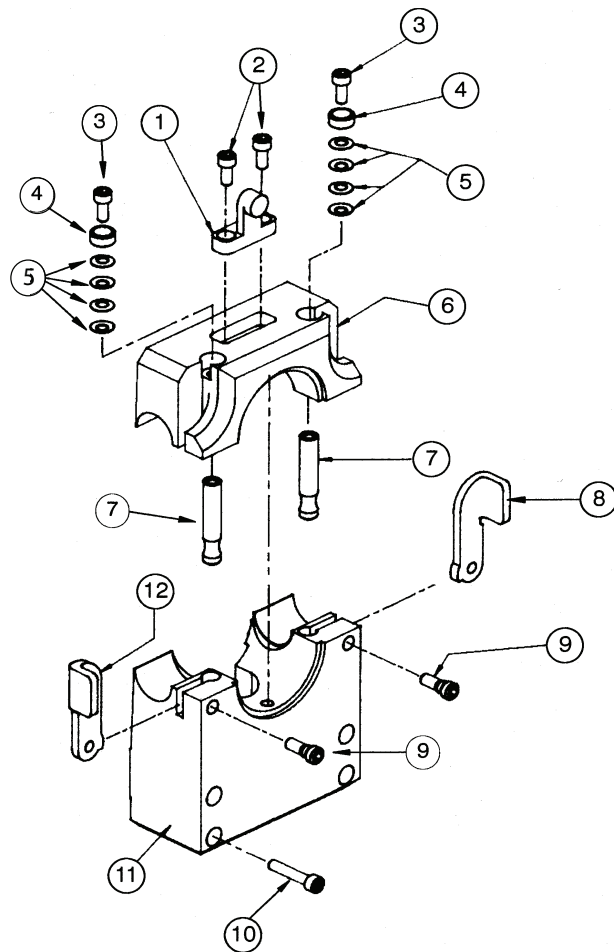


図 48 : CWS-5FSP1 特殊用途向けフィクスチャー・ブロック

表 11 : CWS-5FSP1 特殊用途向けフィクスチャー・ブロック構成部品リスト

参照番号	名称	型番	最小注文数量
1	ロック・タブ	12134	1
2	ステンレス鋼製ソケット・ヘッド・キャップ・ネジ (4-40×0.250 インチ)	13112	10
3	ステンレス鋼製ソケット・ヘッド・キャップ・ネジ (4-40×0.250 インチ)	13112	10
4	プラスチック製スペーサー	13245	10
5	ベルビル・スプリング・ワッシャー	13244	10
6	上部サイド・プレート	CWS-5FSP1-TOP	1
7	カム・ピン	12160-A	1
8	ラッチ・カム (右)	12159	1
9	ステンレス鋼製止めネジ (10-32×0.420 インチ) (加工済み)	13224	1
10	ステンレス鋼製ソケット・ヘッド・キャップ・ネジ (4-40×0.563 インチ)	13115	10
11	下部サイド・プレート	12162	1
12	ラッチ・カム (左)	12158	1

各部品のご注文につきましては、スウェーデンロック指定販売会社までお問い合わせください。

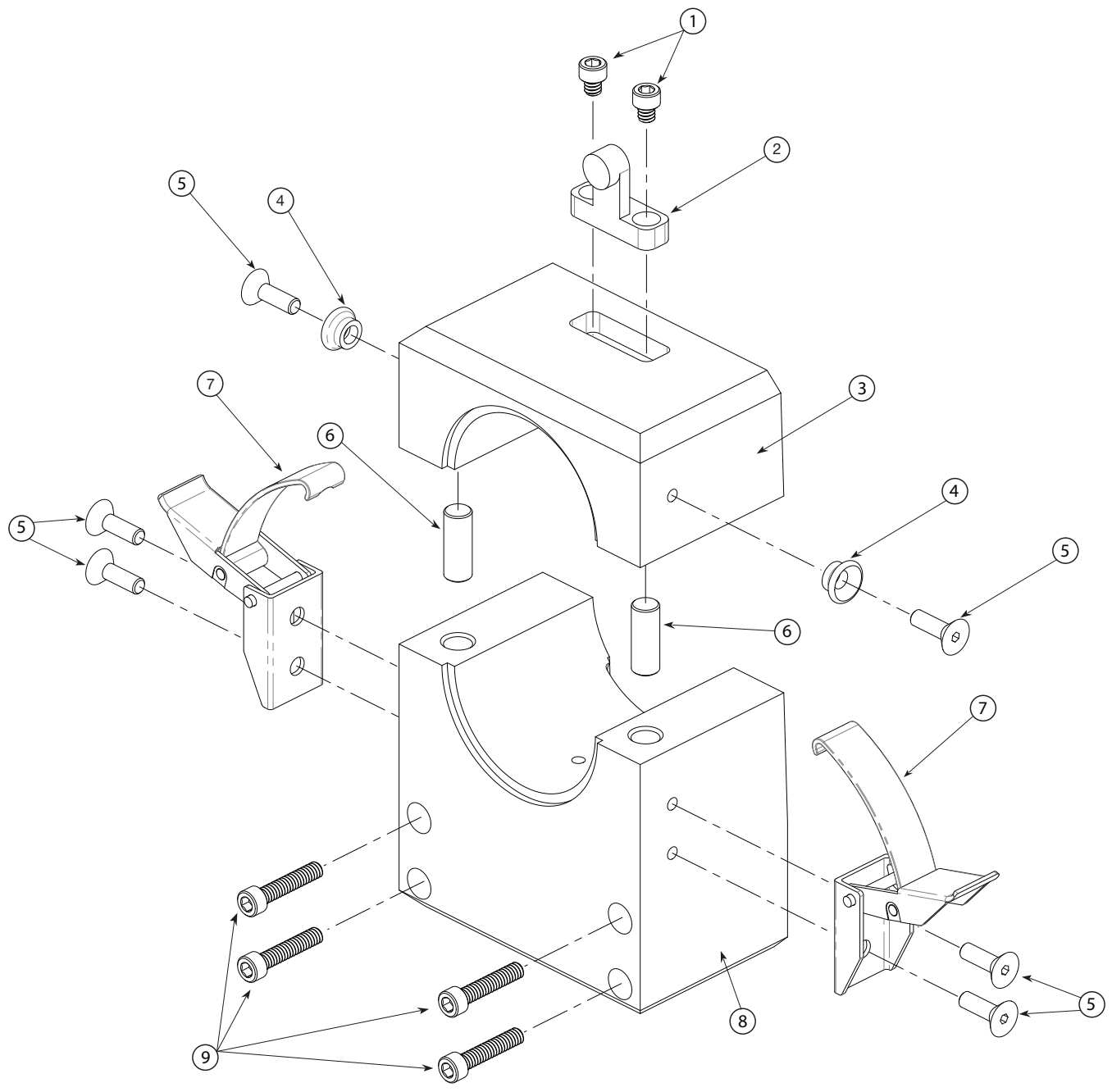


図 49 : SWS-5FSP1-EX 特殊用途向けフィクチャー・ブロック

表 12 : SWS-5FSP1-EX 特殊用途向けフィクスチャー・ブロック構成部品リスト

参照番号	名称	型番	最小注文数量
1	ステンレス鋼製ソケット・ヘッド・キャップ・ネジ (4-40×0.125インチ)	188-SCSA-112-40-125	10
2	ロック・タブ	12134	1
3	上部サイド・プレート	SWS-5FSP1-EX-TOP	1
4	ボタン・キーパー	13300	10
5	ステンレス鋼製平ねじ (4-40×0.375インチ)	13108	10
6	ドゥエル・ピン	*	*
7	ラッチ	11520	1
8	下部サイド・プレート	SWS-5FSP1-EX-BTM	1
9	ステンレス鋼製ソケット・ヘッド・キャップ・ネジ (4-40×0.563インチ)	13115	10

各部品のご注文につきましては、スウェーجزロック指定販売会社までお問い合わせください。

\*ユーザーよりの現場交換用の予備品としてはご注文いただけません。

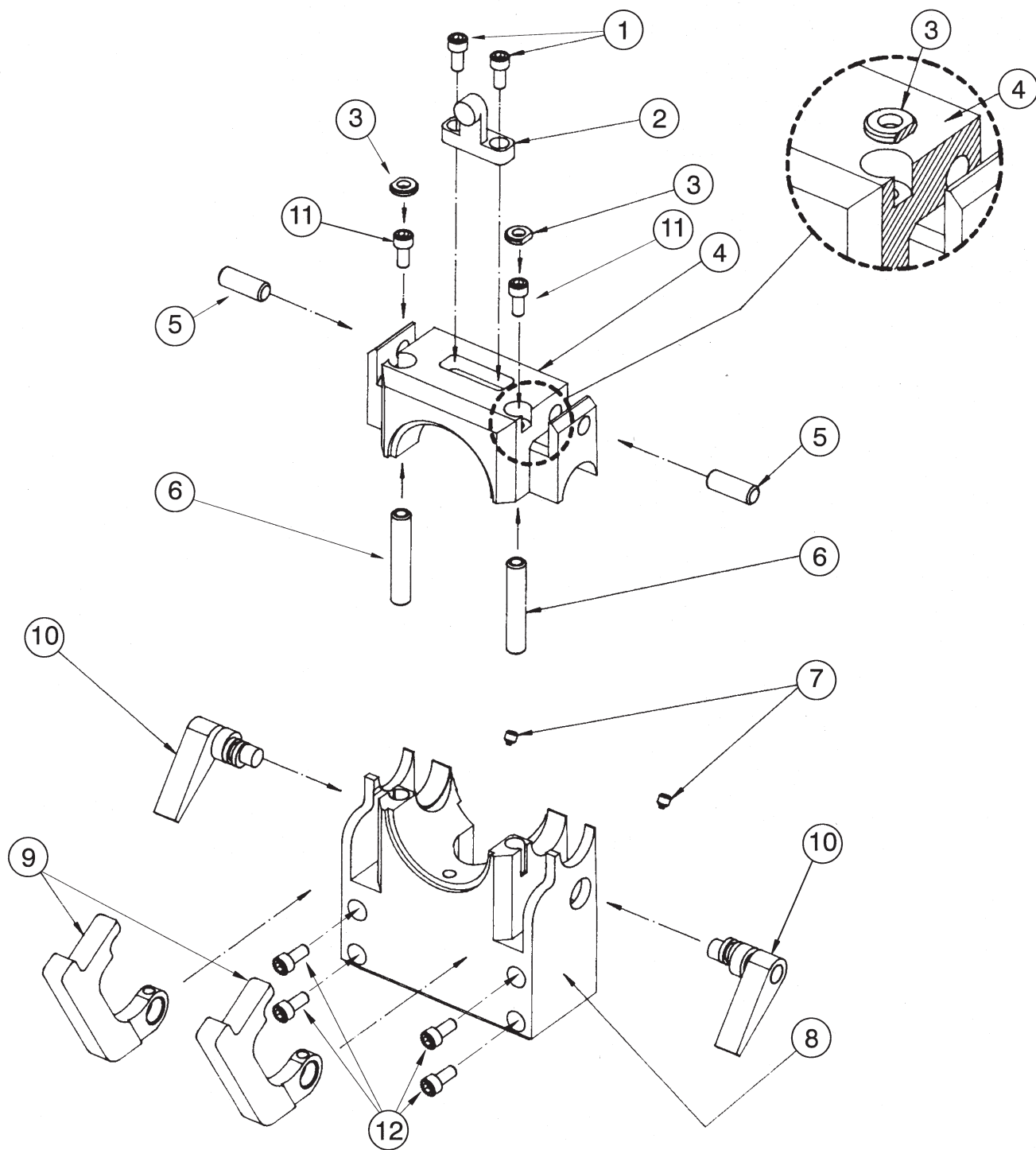


図 50 : CWS-5FSP2 特殊用途向けフィクスチャー・ブロック



表 13 : CWS-5FSP2 特殊用途向けフィクスチャー・ブロック構成部品リスト

参照番号	名称	型番	最小注文数量
1	ステンレス鋼製ソケット・ヘッド・キャップ・ネジ (4-40×0.250 インチ)	13112	10
2	ロック・タブ	12134	1
3	プラスチック製ねじりテイナー	12169	10
4	上部サイド・プレート	CWS-5FSP2-TOP	1
5	ドゥエル・ピン	*	*
6	位置決めピン	12168	1
7	ステンレス鋼製止めネジ (4-40×0.125 インチ)	12132	10
8	下部サイド・プレート	12166	1
9	ラッチ	12167	1
10	レバー・カム・アセンブリー	12130-2	1
11	ステンレス鋼製ソケット・ヘッド・キャップ・ネジ (4-40×0.250 インチ)	13112	10
12	ステンレス鋼製ソケット・ヘッド・キャップ・ネジ (4-40×0.563 インチ)	13115	10

各部品のご注文につきましては、スウェーجزロック指定販売会社までお問い合わせください。

\*ユーザーよりの現場交換用の予備品としてはご注文いただけません。

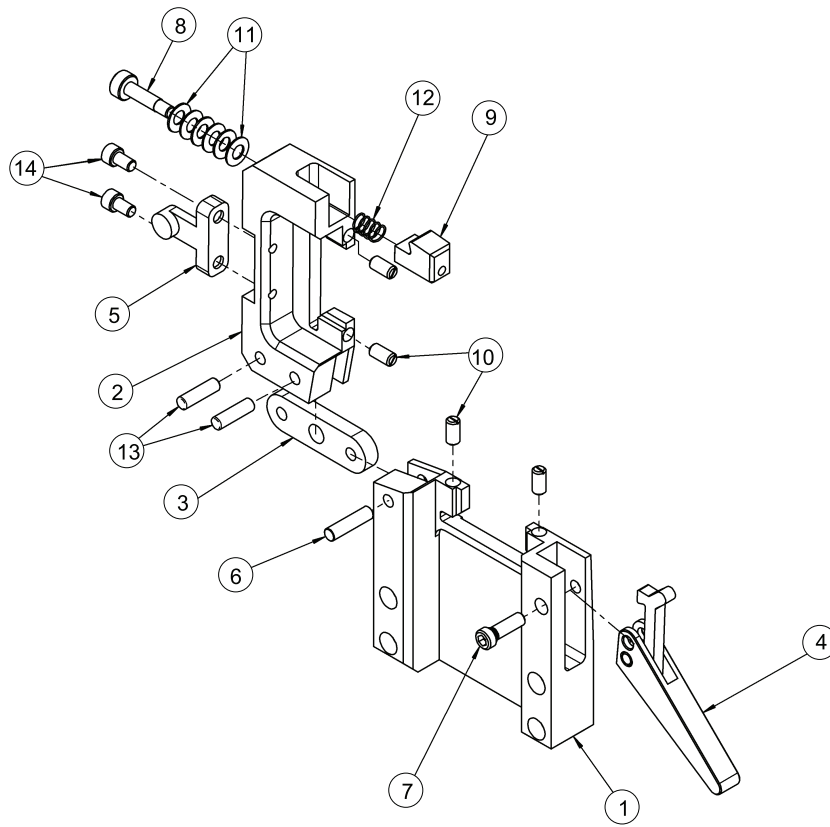


図 51 : SWS-5FSP3L サイド・プレート

表 14 : SWS-5FSP3L サイド・プレート構成部品リスト

参照番号	名称	型番	最小注文数量
1	下部サイド・プレート	*	*
2	上部サイド・プレート	*	*
3	ヒンジ	*	*
4	レバー	21030	1
5	ロック・タブ	12134	1
6	ドゥエル・ピン	*	*
7	ステンレス鋼製止めネジ (4-40×0.495 インチ) (加工済み)	13226	10
8	ステンレス鋼製ソケット・ヘッド・ショルダー・ネジ (4-40×0.125×0.375 インチ)	13248	10
9	キャッチ	12122	1
10	ボール・プランジャー (5-40×0.250 インチ)	13246	10
11	ベルビル・スプリング・ワッシャー	13247	10
12	スプリング	MW-CSC-180-014-380-SG	10
13	ドゥエル・ピン	*	*
14	ステンレス鋼製ソケット・ヘッド・キャップ・ネジ (4-40×0.187 インチ)	13207	10

各部品のご注文につきましては、スウェーجزロック指定販売会社までお問い合わせください。

\*ユーザーよりの現場交換用の予備品としてはご注文いただけません。

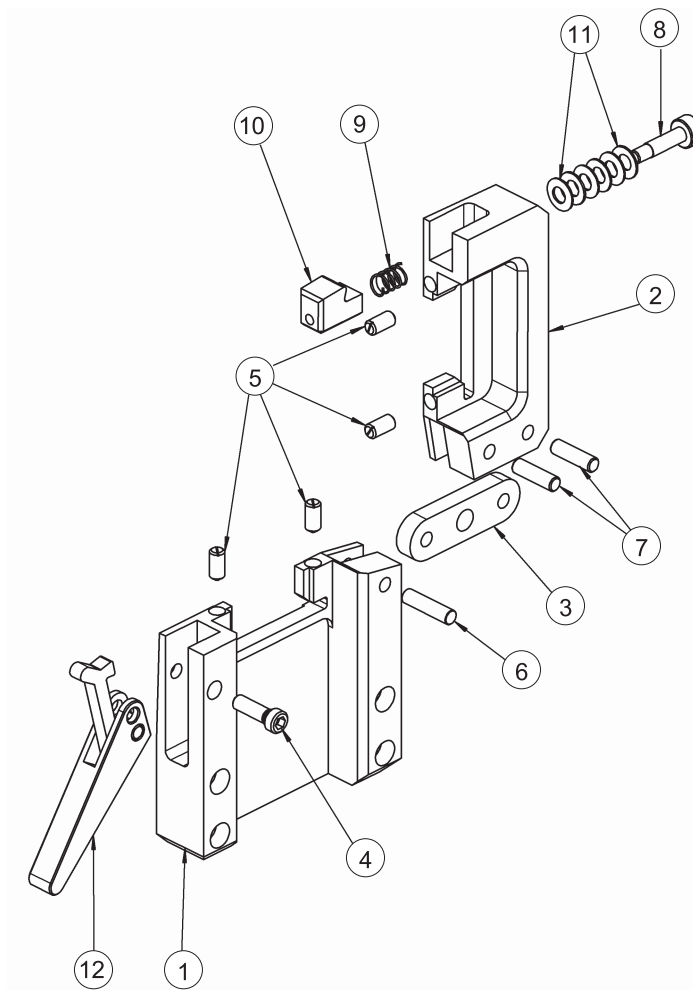


図 52 : SWS-5FSP3R サイド・プレート

表 15 : SWS-5FSP3R サイド・プレート構成部品リスト

参照番号	名称	型番	最小注文数量
1	下部サイド・プレート	*	*
2	上部サイド・プレート	*	*
3	ヒンジ	*	*
4	ステンレス鋼製止めネジ (10-32×0.495 インチ) (加工済み)	13226	10
5	ボール・プランジャー (5-40×0.250 インチ)	13246	10
6	ドゥエル・ピン	*	*
7	ドゥエル・ピン	*	*
8	ステンレス鋼製ソケット・ヘッド・ショルダー・ネジ (4-40×0.125×0.375 インチ)	13248	10
9	スプリング	MW-CSC-180-014-380-SG	10
10	キャッチ	12122	1
11	ベルビル・スプリング・ワッシャー	13247	10
12	レバー	21030	1

各部品のご注文につきましては、スウェージロック指定販売会社までお問い合わせください。

\*ユーザーよりの現場交換用の予備品としてはご注文いただけません。

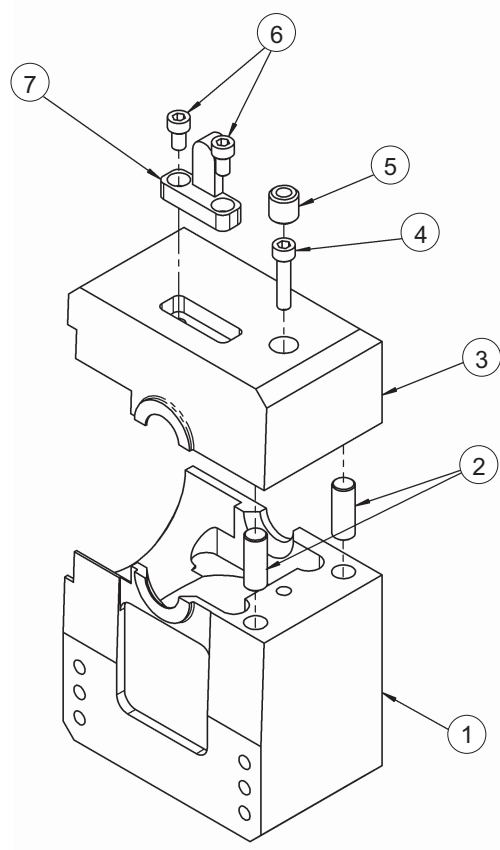


図 53 : SWS-5FSP4L-XX サイド・プレート

表 16：SWS-5FSP4L-XX サイド・プレート構成部品リスト

参照番号	名称	型番	最小注文数量
1	5FSP4L-XX 下部	*	*
2	ドゥエル・ピン	*	*
3	5FSP4L-XX 上部	*	*
4	ステンレス鋼製ソケット・ヘッド・キャップ・ネジ (4-40×0.500 インチ)	13163	10
5	ねじリテイナー	12114	10
6	ステンレス鋼製ソケット・ヘッド・キャップ・ネジ (4-40×0.187 インチ)	13207	10
7	ロック・タブ	12134	1

各部品のご注文につきましては、スウェーヂロック指定販売会社までお問い合わせください。

\*ユーザーよりの現場交換用の予備品としてはご注文いただけません。

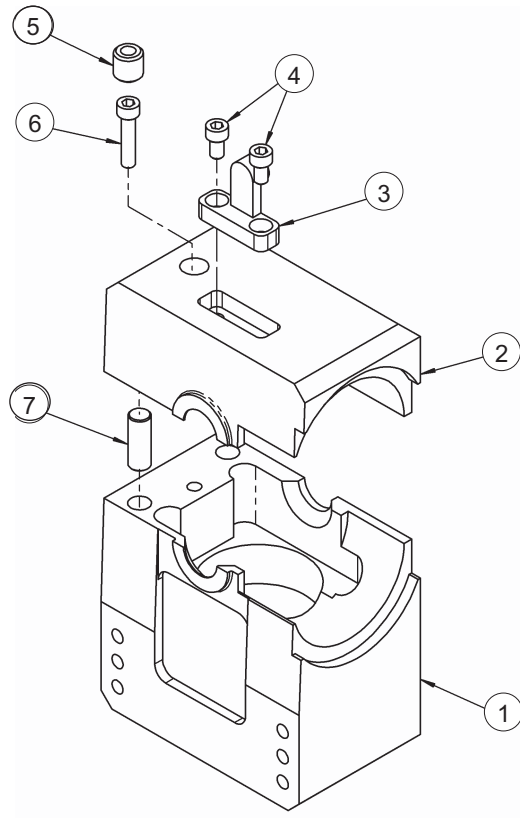


図 54 : SWS-5FSP4R-XX サイド・プレート



表 17 : SWS-5FSP4R-XX サイド・プレート構成部品リスト

参照番号	名称	型番	最小注文数量
1	5FSP4R-XX 下部	*	*
2	5FSP4R-XX 上部	*	*
3	ロック・タブ	12134	1
4	ステンレス鋼製ソケット・ヘッド・キャップ・ネジ (4-40×0.187 インチ)	13207	10
5	ねじリテーナー	12114	10
6	ステンレス鋼製ソケット・ヘッド・キャップ・ネジ (4-40×0.500 インチ)	13163	10
7	ドゥエル・ピン	*	*

各部品のご注文につきましては、スウェーجزロック指定販売会社までお問い合わせください。

\*ユーザーよりの現場交換用の予備品としてはご注文いただけません。

この日本語版ユーザー・マニュアルは、英語版ユーザー・マニュアルの内容を忠実に反映することを目的に、製作いたしました。日本語版の内容に英語版との相違が生じないよう、細心の注意を払っておりますが、万が一相違が生じてしまった場合には、英語版の内容が優先されますので、ご注意ください。

#### 製品保証

Swagelok 製品には、Swagelok リミテッド・ライフタイム保証が付いています。詳細につきましては、[www.swagelok.co.jp](http://www.swagelok.co.jp) にアクセスいただくか、スウェーجزロック指定販売会社までお問い合わせください。

# 5 系列

## 焊头



用户手册

# 目录

焊头 . . . . .	173
夹具块 . . . . .	173
拆开焊头部件包装 . . . . .	174
安装焊头 . . . . .	175
把钨棒安装到焊头内 . . . . .	176
计算弧隙测规设置值 . . . . .	178
设定弧隙 . . . . .	179
夹固工件 . . . . .	184
把夹箍安装在卡套管夹具块内 . . . . .	185
维护 . . . . .	194
零件图纸 . . . . .	203

## 焊头

5 系列世伟洛克焊接系统 (SWS) 焊头能够提供一致的精确焊接, 适用外径为 1/8 到 5/8 in. 和 3 到 17.3 mm。

焊头内的直流电机驱动转子, 转子围绕焊缝移动钨棒。焊头内的光路向电源发送精确的反馈来控制转子速度。

焊头内的所有运动部件都安装在低摩擦装置内, 以确保平稳、一致的运转。

弹簧加载的浮动电刷在转子周长的大约三分之一范围内保持持续接触。这种结构能够保证一致、均匀的对转子和钨棒电导。

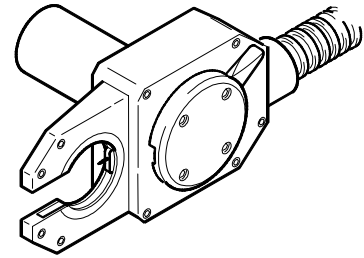


图1 5 系列焊头

## 夹具块

5 系列 SWS 夹具块精确地对准和固定卡套管、接头和阀体。模块式设计使用户可以针对焊接工作选择不同侧板来获得所需配置。

夹具块是与焊头分离的, 这使用户能够更容易地在焊接前对准和夹固工件。可以通过使用多套夹具块提高生产效率。

每套夹具块都适用于一定范围内的工件尺寸。夹具块内装有通用夹箍插件 (UCI) 来匹配工件直径。这种夹箍设计能够牢固地固定标称外径  $\pm 0.005$  in. (0.13 mm) 范围内的卡套管和接头。用户可以快速更换夹箍, 从而使夹具块能够轻松适应不断变化的工作要求。

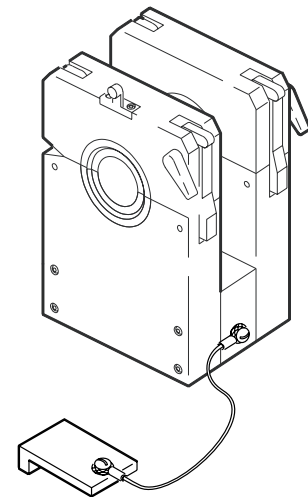


图2 5 系列夹具块

## 拆开焊头部件包装

如下焊头部件包装在一个带泡沫内衬的包装箱内：

- 焊头
- 弧隙测规
- 钨棒包
- 工具包。

收到 5 系列世伟洛克焊头后，请执行如下步骤：

1. 检查包装箱是否损坏。
2. 取出包装箱内的部件。
3. 检查这些部件是否损坏。
4. 确认焊头序列号与包装箱上的序列号一致。
5. 在电源使用手册的*注册信息*页上记录型号和序列号以及交货日期。

## 安装焊头

焊头有四个用于连接电源的插头。

电缆上的这四个插头是：

- 焊头
- 钨棒（红色）
- 工件（绿色）
- 焊头屏蔽气体。

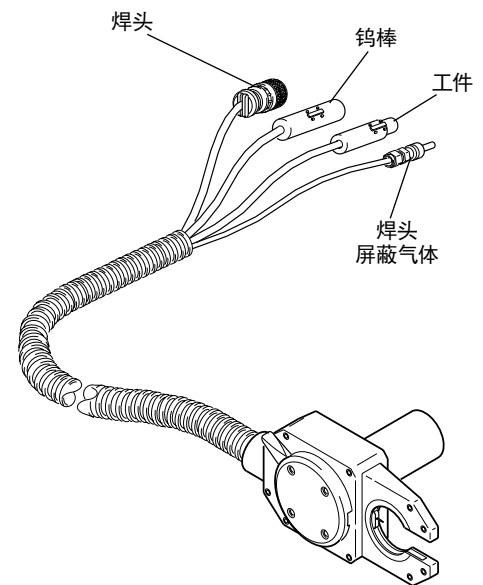


图3 焊头

按如下步骤把四个插头连接到电源的侧面板上（见图 4）：

1. 找到焊头。
2. 把四分之一圈旋转插头上的槽对准侧面板上标有焊头的对应插座上的小片。把插头插进插座内。用手向顺时针方向转动插头外套，直到拧紧为止。该连接提供驱动焊头控制信号。
3. 把红色插头完全插进侧面板上标有钨棒的插座内。向顺时针方向旋转该插头 1/4 圈来将其锁定。该连接为焊头提供负 (-) 端子。
4. 把绿色插头插进侧面板上标有工件的插座内。向顺时针方向旋转该插头 1/4 圈来将其锁定。该连接为焊头提供正 (+) 端子。
5. 把焊头屏蔽气体插头插进标有至焊头的世伟洛克快速接头管茎内。确保该插头连接牢固。该连接通过电源内的质量流量控制器 (MFC) 为焊头提供屏蔽气体。

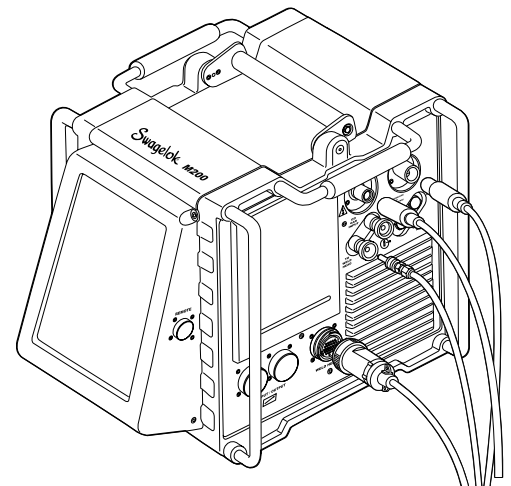


图4 焊头连接器



### 注意！

确保焊头接头完全插在对接插座内，确保螺纹套管拧紧。

### 注意：

焊头屏蔽气体接头必须是单端关断 (SESO) 世伟洛克快速接头管茎 (SS-QC4-S-400)。

## 把钨棒安装到焊头内

本世伟洛克焊头提供了一整套钨棒。下面说明了把钨棒安装到焊头上的方法。

### 选择适宜的钨棒

所需的钨棒长度和直径取决于焊头型号以及待焊接工件的外径。请使用钨棒选择表选择正确的钨棒。使用了自动生成功能时, M200 将生成适宜的钨棒。

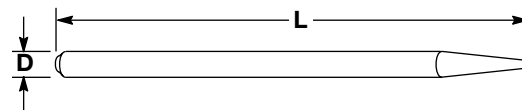


图5 钨棒尺寸

表1 钨棒选择表

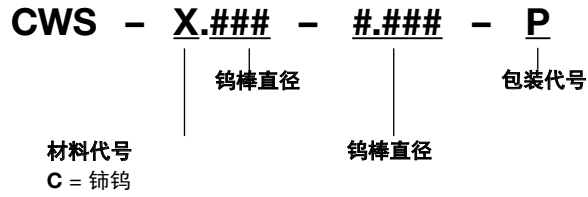
零部件号	部件 OD	钨棒长度 (L) in. (mm)	钨棒直径 (D) in. (mm)
CWS-C.040.705-P	1/8 in.	0.705 (17,90)	0.040 (1,02)
	3/16 in.		
	3 mm		
	1/4 in.		
CWS-C.040-.605-P	5/16 in.	0.605 (15,37)	0.040 (1,02)
	6 mm		
	8 mm		
CWS-C.040-.555-P	3/8 in.	0.555 (14,10)	0.040 (1,02)
	1/2 in.		
	10 mm		
	12 mm		
CWS-C.040-.450-P	5/8 in.	0.450 (11,43)	0.040 (1,02)
	15 mm		
CWS-C.040-.405-P	16 mm	0.405 (10,29)	0.040 (1,02)
	17.3 mm		



## 钨棒的几何形状

该图显示了世伟洛克建议的钨棒形状。正确打磨过的钨棒可以提供一致、可重复的焊接。世伟洛克代表可为您提供预打磨过的钨棒。请参考零部件清单中的订购信息。

钨棒零部件编号的分配方法如下：



铈钨棒材料类型是 98 % 的钨与 2 % 的铈的混合物，通常称为“2 % 掺铈”。这种钨棒类型的起弧性能优于 2 % 掺钍型钨棒，在使用提纯屏蔽气体时这一点特别显著。

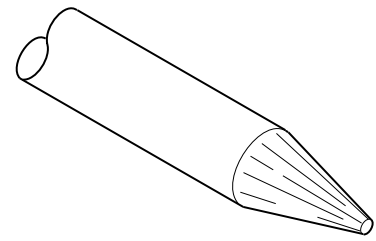
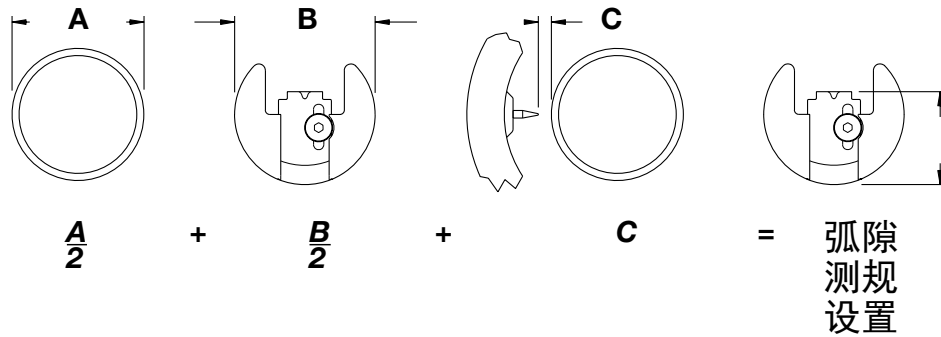


图6 钨棒

## 计算弧隙测规设置值

使用如下公式计算指定弧隙的弧隙测规设置值。



### 式中

A = 卡套管或接头焊接端的最大外径（焊接直径）。

B = 弧隙测规直径

C = 所需弧隙

图7 弧隙测规设置公式

### 示例 1: (5 系列焊头)

1/4 对 1/4 in. 卡套管对焊—

最大外径	A = 0.253 in.
弧隙测规直径	B = 1.244 in.
所需弧隙	C = 0.028 in.

$$\frac{0.253 \text{ in.}}{2} + \frac{1.244}{2} + 0.028 \text{ in.} = 0.777 \text{ in.}$$

### 示例 2: (5 系列焊头)

6 对 6 mm 卡套管对焊—

最大外径	A = 6,081 mm
弧隙测规直径	B = 31,60 mm
所需弧隙	C = 0,71 mm

$$\frac{6,081 \text{ mm}}{2} + \frac{31,60 \text{ mm}}{2} + 0,71 \text{ mm} = 19,551 \text{ mm}$$

## 设定弧隙

正确地设定弧隙有助于焊接控制，还能够提高一致性。下面是弧隙设定步骤。

弧隙是使用随焊头提供的弧隙测规设定的。先按照所需弧隙调整好测规，然后将其安装在转子孔内。在安装了测规的情况下，可以把钨棒调整到合理准确的位置。

### 设定弧隙测规

1. 使用卡尺或千分尺测量待焊接工件的外径。参考图 8(A)。使用了自动生成功能时，M200 将计算弧隙测规设置值。
2. 请参考第 180 页表格来确定标准外径。找出最接近您的测值的“实际”外径。
3. 把弧隙测规调整为第 180 页的表格所列的设置值。参考图 8(B)。

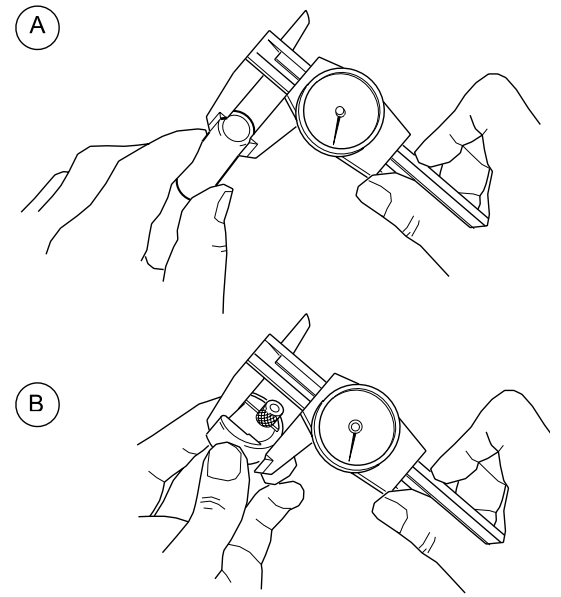


图 8 设定弧隙测规

表 2 SWS-5H 弧隙测规, 直径 1.244 in.

标准 OD in.	实际 OD in.	0.025 in. 弧隙 设置 in.	0.030 in. 弧隙 设置 in.	0.035 in. 弧隙 设置 in.	0.040 in. 弧隙 设置 in.	0.045 in. 弧隙 设置 in.	0.050 in. 弧隙 设置 in.	0,51 mm 弧隙 设置 mm	0,64 mm 弧隙 设置 mm	0,89 mm 弧隙 设置 mm	1,02 mm 弧隙 设置 mm
1/8	0.125	0.710	0.715	0.720	0.725	0.730	0.735	17,91	18,04	18,29	18,42
1/4	0.250	0.772	0.777	0.782	0.787	0.792	0.797	19,48	19,61	19,86	19,99
3/8	0.375	0.835	0.840	0.845	0.850	0.855	0.860	21,08	21,21	21,46	21,59
1/2	0.500	0.897	0.902	0.907	0.912	0.917	0.922	22,66	22,79	23,04	23,17
5/8	0.625	0.960	0.965	0.970	0.975	0.980	0.985	24,25	24,38	24,63	24,76

表 3 SWS-5H 弧隙测规, 直径 31,60 mm

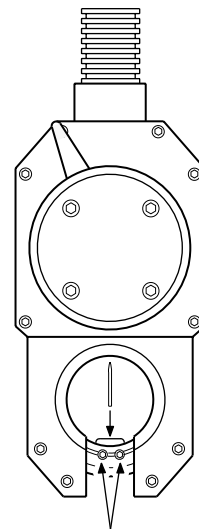
标准 OD mm	实际 OD mm	0.50 in. 弧隙 设置 mm	0,64 mm 弧隙 设置 mm	0,76 mm 弧隙 设置 mm	1,02 mm 弧隙 设置 mm	1,14 mm 弧隙 设置 mm
3	3,00	17,80	17,94	18,06	18,19	18,32
6	6,00	19,30	19,44	19,56	19,69	19,82
8	8,00	20,30	20,44	20,56	20,69	20,82
10	10,00	21,30	21,44	21,56	21,69	21,82
12	12,00	22,30	22,44	22,56	22,69	22,82

表 4 SWS-5H ATW 弧隙测规, 直径 1.244 in. (31,60 mm)

ATW 尺寸	管口 OD	0.035 in. (0,89 mm) 弧隙设置
1/4 in.	0.29 in.	0.801 in.
3/8 in.	0.41 in.	0.863 in.
1/2 in.	0.55 in.	0.931 in.
6 mm	7 mm	20,19 mm
8 mm	9 mm	21,20 mm
10 mm	11 mm	22,20 mm
12 mm	13,2 mm	23,32 mm

## 把钨棒插进转子内

1. 在不安装夹具块的条件下, 按电源上的**钨棒更换**。钨棒将移动到图 9 所示的位置。
2. 松开两个钨棒夹紧螺钉。如果是要更换钨棒, 则拆下钨棒。
3. 插入新钨棒, 尖端朝外。轻轻拧紧钨棒夹紧螺钉来临时固定钨棒。
4. 使用弧隙测规设定适宜的弧隙。



钨棒夹紧螺钉

图 9 钨棒安装



**警告!**  
请勿在触摸钨棒的同时按启动按钮。



**注意!**  
在钨棒夹紧之前, 请勿慢进或运转转子。



**注意!**  
按下钨棒更换后, 转子将运转。  
转子是一个潜在的夹手点。

## 设定弧隙

1. 使用**慢进**或**钨棒更换**调整转子位置。这样, 就可以触及钨棒夹紧螺钉。
2. 把弧隙测规插进转子内。参考图 10(A)。
3. 向上倾斜焊头。拧松钨棒螺钉, 使钨棒掉落在测规表面上。参考图 10(B)。
4. 把钨棒夹紧螺钉拧紧到刚好能固定住钨棒的程度。拆下弧隙测规。
5. 按**回原位**或**钨棒更换**按钮来使转子回到原位。

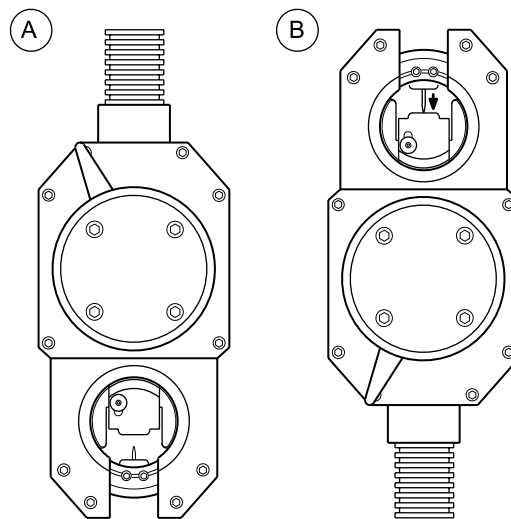


图 10 设定弧隙



**注意!**  
在钨棒夹紧之前, 请勿慢进或运转转子。



**注意!**  
按下慢进、钨棒更换或回原位按钮后, 转子将运转。转子是一个潜在的夹手点。

## 工作准备

在焊接之前必须正确地准备卡套管工件。请参考图 11。

卡套管必须是端面方正、无毛刺的，以确保可重复的高质量自熔接焊接。使用钢锯或卡套管切割器把卡套管切割为管段。使用车床或便携式端面车刀加工卡套管端面。去除端面毛刺，确保内侧和外侧都是方正、无毛刺的。使用适宜的溶剂清洗卡套管端面。

请按如下原则最大程度地减少出现劣质焊缝的机会：

- 卡套管端面必须方正。
- 卡套管端面的壁厚偏差不得超过标准值的  $\pm 15\%$ 。
- 卡套管端面必须是无毛刺的。
- 卡套管端面上不得有任何锈迹、脂、油、漆或其它表面污染物。

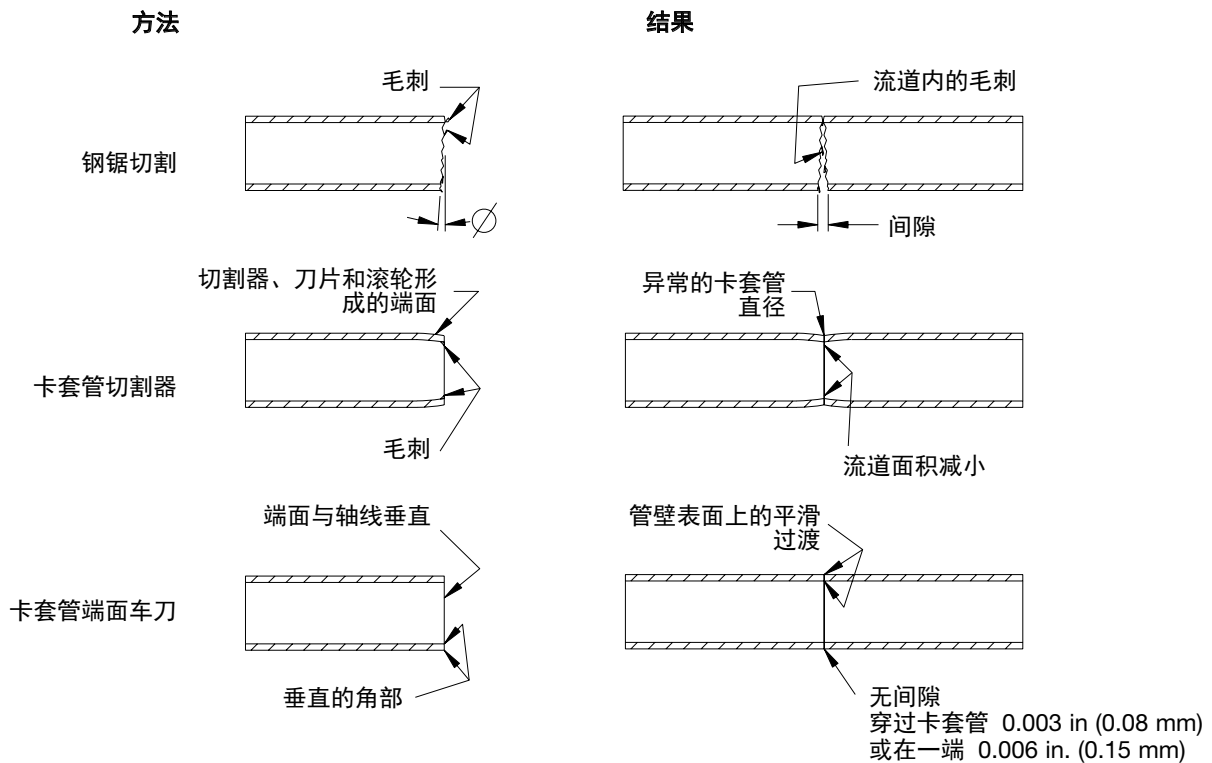


图 11 卡套管准备

## 夹固工件

选择或配置适宜的夹具块。选择适合工件外径的夹箍。

### 选择夹具块和夹箍

1. 选择适合待焊接卡套管外径的夹具块。

表 5 — 夹具块

型号	适用 OD	最小焊接伸展长度
CWS-5TFB	1/8 到 5/8 in., 3 到 17.3 mm	3/4 in., 19 mm
CWS-5FSP1	1/4 in.	焊接带捕获外螺纹或内螺纹螺母的、伸展长度小于 3/4 in., 19 mm 的 VCR® 或 VCO® 接头时使用
SWS-5FSP1-EX	1/2 in.	焊接带捕获外螺纹螺母、接头总长度小于 1.79 in., 45.5 mm 的或者带捕获内螺纹螺母、接头总长度小于 1.12 in., 28.4 mm 的 VCR 接头时使用
CWS-5FSP2	1/8 到 1/2 in., 6 到 12 mm	用来固定伸展长度为 1/4 in., 6 mm 的 Micro-Fit® 接头
SWS-5FSP3L	1/8 到 1/2 in., 3 到 12 mm	用来固定伸展长度为 1/2 in., 12 mm 的一些阀门
SWS-5FSP3R		
SWS-5FSP4L	1/4 到 3/8 in., 6 到 9 mm	用来固定伸展长度为 1/4 in., 6 mm 的世伟洛克阀门 BN、DL、DS、HD、DA 和 DP
SWS-5FSP4V		

伸展长度是在夹具块中心焊制焊缝所需的卡套管的最小量。

2. 选择适合待焊接零件的直径的夹箍。

表 6 — 夹箍

型号	适用 OD	注释
CWS-5UCI-X <sup>①</sup>	1/8 到 5/8 in., 3 到 17.3 mm	卡套管 对于公制尺寸，应添加后缀“mm”。
CWS-5UFCI-.95	不适用	适用于侧板 CWS-5FSP1、用来固定转换接头插件的夹具夹箍
CWS-5UFCI-X <sup>①</sup>	1/8 到 5/8 in., 3 到 16 mm	适用于 5FSP1 和 5FSP2 的卡套管夹箍
SWS-5UFCI-EX-.95	不适用	适用于侧板 SWS-5FSP1-EX 的、用来固定 1/4 in. 及以下 VCR 或 VCO 接头的转换接头插件的夹具夹箍
CWS-5MWCI-04	1/8 和 1/4 in., 6 mm	用来固定伸展长度为 1/2 in., 12 mm 的一些阀门
CWS-5MWCI-06	3/8 in., 8 和 10 mm	用于 Micro-Fit 接头
CWS-5MWCI-08	1/2 in., 12 mm	用于 Micro-Fit 接头
SWS-5F3UCI-X <sup>①</sup>	1/8 到 1/2 in., 6、8 和 10 mm	用于阀门

<sup>①</sup> 在这里，X 是以 1/16 英寸为单位的或公制 (mm 后缀) 夹箍尺寸



## 把夹箍安装在卡套管夹具块内

1. 松开两个锁杆，打开卡套管夹具块。参考图 12。
2. 把夹箍的两半分别安装在上下侧板内，拧紧夹箍螺钉。确保夹箍肩与夹具侧板平齐。参考图 13(B)。

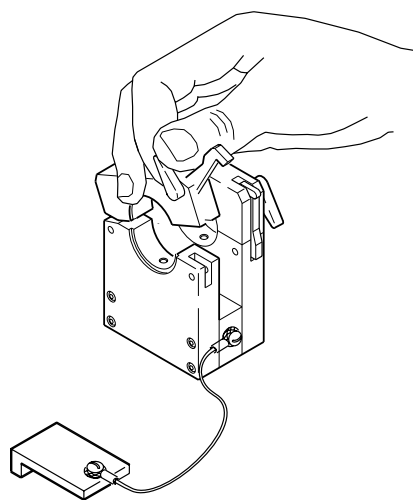


图 12 打开夹具块

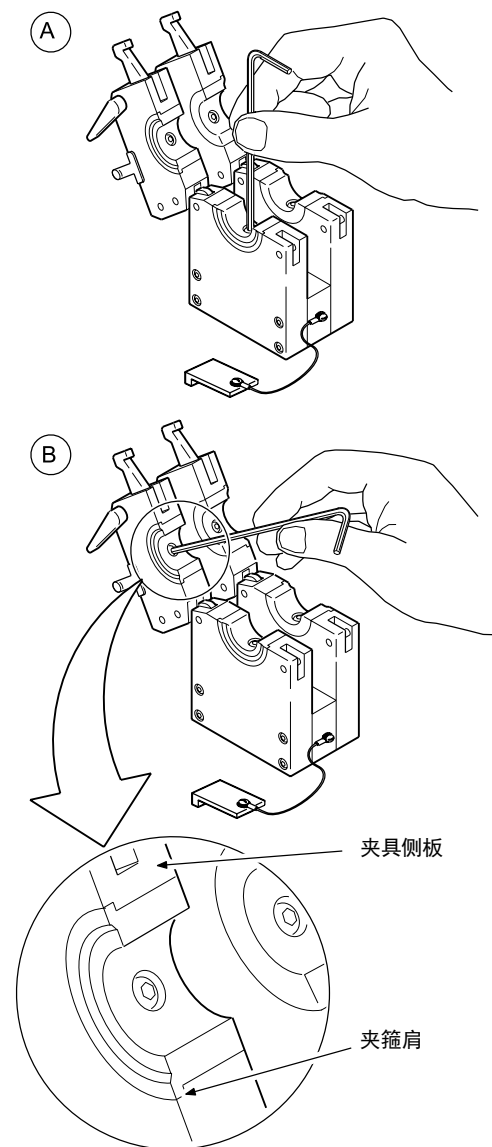


图 13 安装夹箍

## 对准卡套管夹具块内的工件

1. 把中心规放在卡套管夹具块的一侧。中心规必须跨过整个夹箍宽度。参考图 14。
2. 把一个工件与中心规对接好。参考图 15(A)。
3. 放下并锁好上侧板。参考图 15(B)。
4. 拿走中心规。

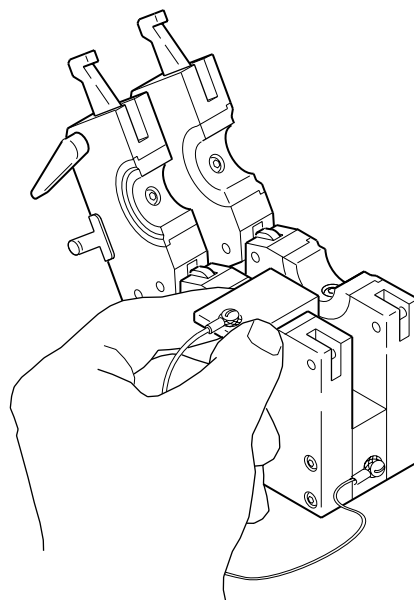


图 14 放置中心规

注意：  
在进行世伟洛克 ATW 接头对卡套管焊接时，  
先把卡套管与中心规对好。

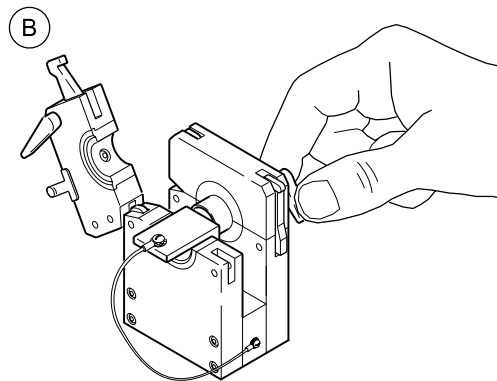
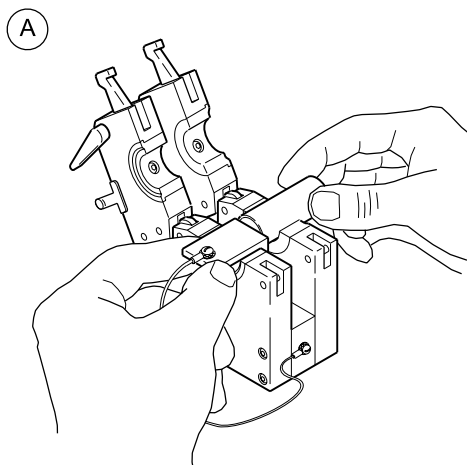


图 15 把第一个工件安装在夹具块内

5. 把第二个工件与第一个工件对接好, 放下并锁好上侧板。参考图 16。
6. 检查焊缝 360° 范围内的配合和对准情况。如果对准不正确, 则按下一节操作。

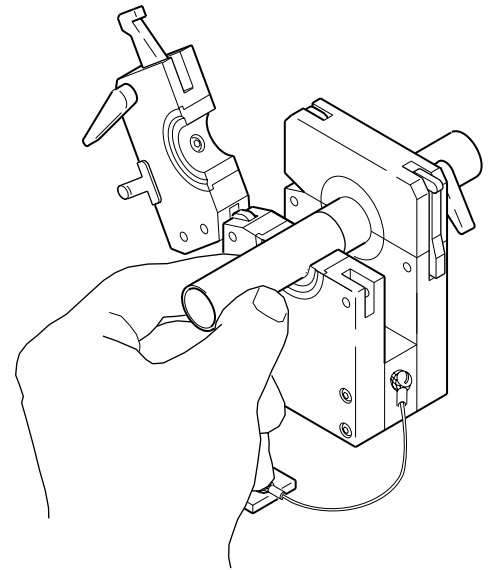


图 16 安装第二个工件

### 调整夹具块

5 系列夹具块采用模块式设计, 因此用户可以针对各种不同焊接要求组装夹具块。

为了保证夹具块内工件的精确对准, 必须定期对侧板。

本节包含如下几个方面:

- 卡套管对卡套管
- Micro-Fit 接头对卡套管
- Micro-Fit 接头对 Micro-Fit 接头

### 卡套管对卡套管夹具块

夹具块对准步骤如下:

1. 翻转夹具块, 找到供气室上的方向箭头。箭头指向可调侧板。参考图 17。
2. 使用随夹具提供的 3/32 in. 内六角扳手拧松可调侧板上的四个内六角头螺钉, 使可调侧板相对于供气室松动为止。参考图 17 来确定可调侧板。
3. 转正夹具块, 松开两个锁杆来打开夹具块的两侧。

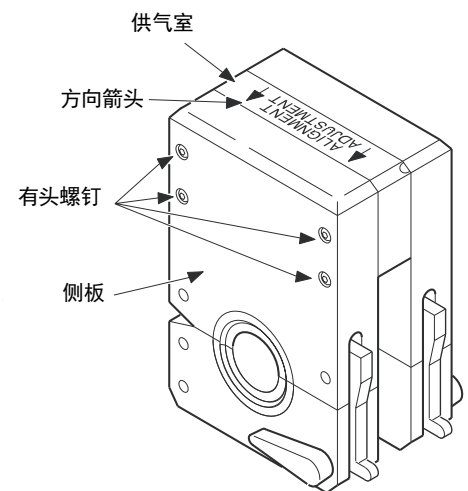


图 17 松开侧板

4. 把一段直卡套管 (长度至少为 1.50 in [38.1 mm]) 装在夹箍内, 使其贴在两个侧板上。
5. 合上并锁住不可调侧板。参考图 18。
6. 放下并锁好松动侧板的上部。
7. 拧紧松动侧板上的四个内六角头螺钉。注意, 必须均匀地拧紧这四个螺钉, 以防止侧板滑动。
8. 打开侧板, 拆下卡套管。

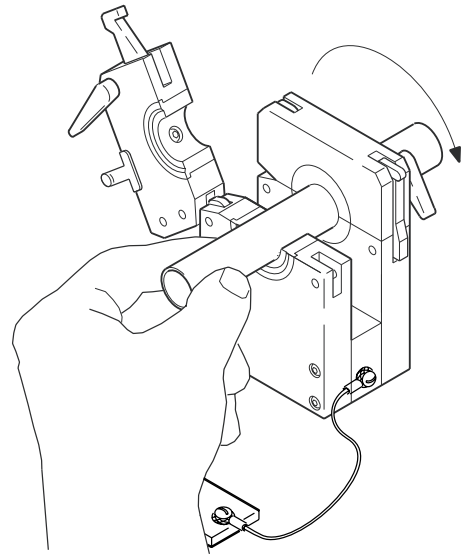


图 18 安装卡套管

### Micro-Fit 接头对卡套管夹具块

夹具块对准步骤如下:

1. 翻转夹具块, 找到供气室的方向箭头。箭头指向可调侧板。参考图 19。
2. 使用随夹具提供的 3/32 in. 内六角扳手拧松可调侧板上的四个内六角头螺钉, 使可调侧板相对于供气室松动为止。参考图 19 来确定可调侧板。
3. 转正夹具块, 松开锁杆来打开卡套管侧板的上部。
4. 选择并安装一个适合固定与 Micro-Fit 接头外径相符的卡套管的夹箍。

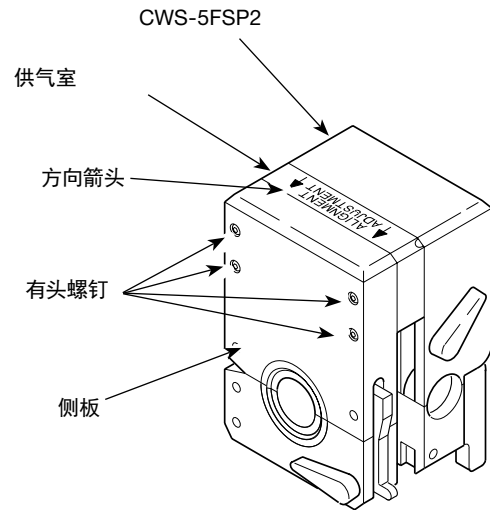


图 19 松开侧板

5. 松开并拆下 CWS-5FSP2 侧板的上部。参考图 20。
6. 使用中心规把一段直卡套管（长度至少为 0.75 in. [19.1 mm]）安装在卡套管侧板内，放下并锁住该侧板的上部。

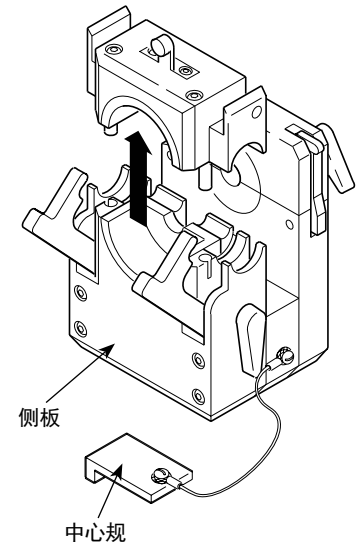


图 20 拆下侧板上部

7. 把 Micro-Fit 接头安装在接头侧板内，合上并锁住侧板上部。
8. 把 Micro-Fit 接头与卡套管对准。参考图 21。
9. 在保持接头对卡套管对准的同时拧紧可调侧板上的四个内六角头螺钉。注意，必须均匀地拧紧这四个螺钉，以防止侧板滑动。

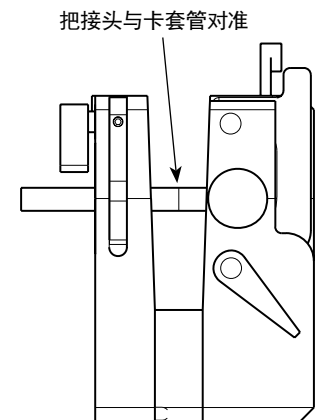


图 21 把 Micro-Fit 接头与卡套管对准

## Micro-Fit 接头对 Micro-Fit 接头夹具块

夹具块对准步骤如下：

1. 翻转夹具块，找到供气室上的方向箭头。箭头指向可调侧板。参考图 22。
2. 使用随夹具提供的 3/32 in. 内六角扳手拧松可调侧板上的四个内六角头螺钉，使可调侧板相对于供气室松动为止。参考图 22 来确定可调侧板。

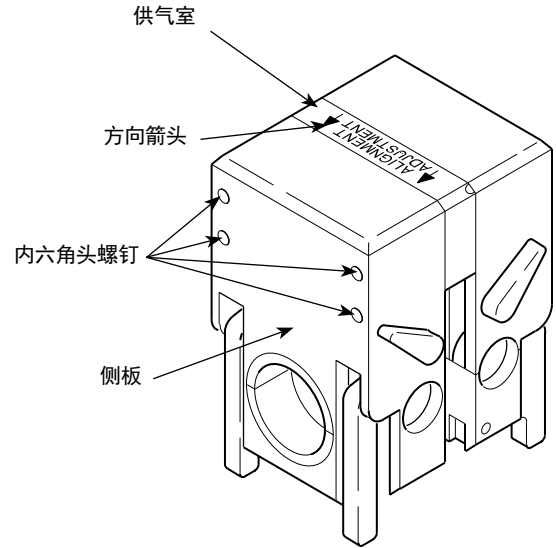


图 22 松开侧板

3. 转正夹具块，拆下 CWS-5FSP2 侧板的上部。参考图 23。
4. 使用中心规把一个 Micro-Fit 接头安装在一个侧板内。
5. 重新装好该侧板的上部。
6. 把另一个 Micro-Fit 接头插进另一个侧板内，合上该侧板的上部。

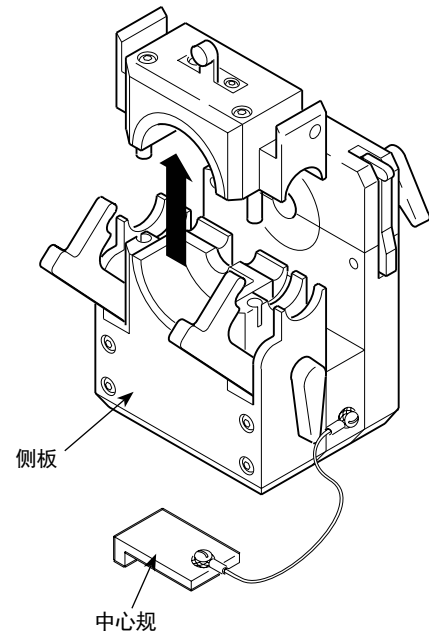


图 23 拆下侧板上部

7. 调整松动的侧板来把两个 Micro-Fit 接头对准。参考图 24。
8. 在保持接头对接头对准的同时拧紧可调侧板上的四个内六角头螺钉。注意，必须均匀地拧紧这四个螺钉，以防止侧板滑动。

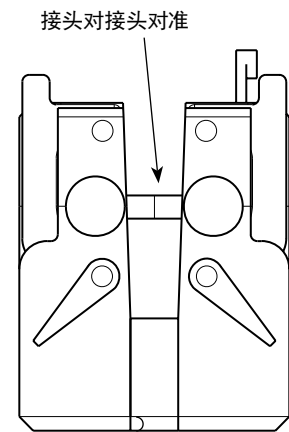


图 24 对准 Micro-Fit 接头

## 把焊头装进夹具块内

1. 向逆时针方向转动焊头上的锁杆, 直到转不动为止。参考图 25。
2. 把焊头插进夹具块内。参考图 26(A)。
3. 向顺时针方向转动锁杆来固定焊头。参考图 26(B)。

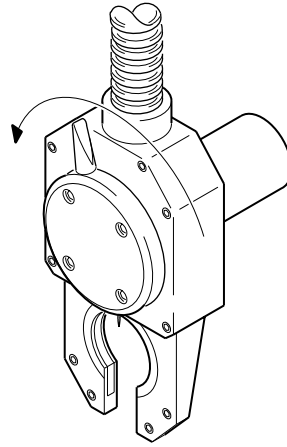


图 25 松开锁杆

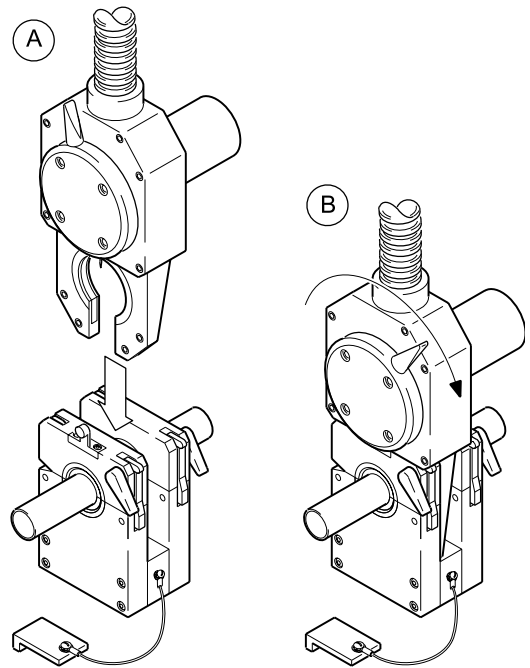


图 26 把焊头装进夹具块内



## 操作焊头

使用如下参数操作焊头：

<b>屏蔽气体流量 std ft<sup>3</sup>/hr (std L/min)</b>	10 到 20 ① (4.7 到 9.5)
<b>最短预吹扫和后吹扫时间, 秒</b>	20 ②
<b>建议最高平均安培数</b>	50 % 负载循环时 55 安培 ③ 35 % 负载循环时 70 安培

① 使用大电流焊接时, 应把流量设定为较高数值。

② 使用大电流焊接时, 应使用连续流量来提供冷却。

③ 使用可选的焊头加长电缆时, 输出安培数可能会减小。

## 维护

为确保您的世伟洛克焊接系统 (SWS) 正常工作, 必须对系统部件进行定期维护。

本章描述夹具块和焊头的必要维护程序。

欲了解详细的零部件图纸和信息, 请参考本手册末尾的零部件图纸。

应每日执行夹具块维护工作, 另外每执行 1,000 到 1,200 次焊接后也应进行维护。

根据使用和磨损情况, 可能会需要在达到 1,000 次焊接之前进行维护。

**注意:**

在执行本章所述程序的过程中遇到问题时, 请参考电源用户手册的故障排除部分, 或者与您当地的世伟洛克授权代表联系。

**注意:**

必须更换有缺陷的零部件。世伟洛克授权代表可为您提供维修保养备件。

## 夹具块每日维护

每日工作开始之前:

1. 检查夹具块是否清洁, 检查磨损和损坏情况。参考图 27。
2. 使用清洁的软布擦掉夹具块上的污垢、碳以及蒸气沉积物。可以使用酒精、丙酮等溶剂。使用细砂布清除厚沉积物。

每日工作结束时, 把夹具块清理干净, 然后将其保存在干燥的地方。

## 夹具块定期维护

每 1,000 到 1,200 次焊接:

1. 检查和清洁夹箍。参考图 27(A)。
2. 检查是否存在划痕和凹痕。
3. 使用软不锈钢丝刷清除夹箍的所有表面上的污垢和氧化物。
4. 使用细砂布清除侧板非阳极氧化接合面上的氧化物。参考图 27(B)。
5. 使用清洁的软布清除侧板内侧表面上的污垢和氧化物。参考图 27(C)。使用细砂布清除厚沉积物。
6. 检查锁杆凸轮和门锁是否运转平稳。参考图 28。
  - a. 拆下锁杆凸轮, 方法是拧下门锁上的固定螺钉, 然后从夹具块内拉出锁杆凸轮。
  - b. 清洁锁杆凸轮, 必要时涂少量润滑油。
  - c. 重新装好固定螺钉, 确认凸轮已锁紧。
7. 确认夹具块能够正确固定工件。
  - a. 在夹具块的一侧装上夹箍。
  - b. 插入标称尺寸的卡套管, 使用锁杆凸轮合上夹具块。
  - c. 确认卡套管不能在夹箍内转动。
  - d. 确认卡套管不能在夹箍内前后移动。
  - e. 确认卡套管不能在夹箍内上下或左右移动。
  - f. 对夹具块的另一侧执行上述操作。

要退回夹具块进行维修时, 请与您当地的世伟洛克授权代表联系。

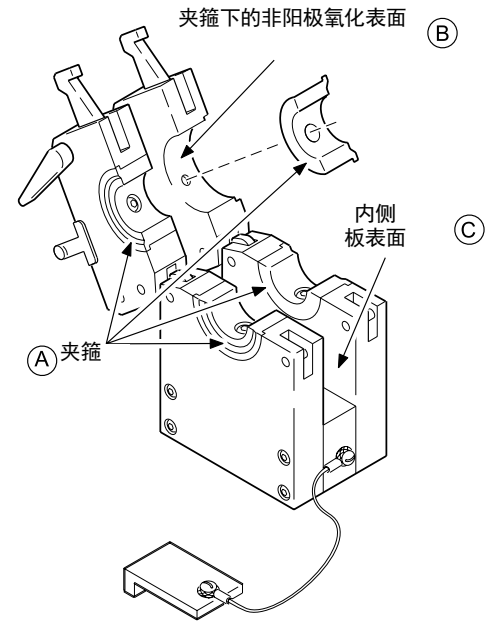


图 27 清洁夹箍和夹箍安装面

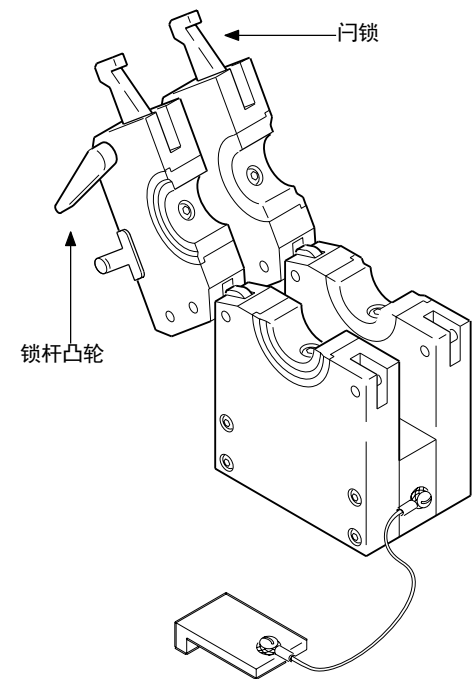


图 28 锁杆凸轮和门锁

### 注意:

如果发现磨损或损坏或者夹具块不能正确地固定工件, 则不应使用该夹具块。

## 焊头每日维护

应每日维护焊头，另外每执行 1,000 到 1,200 次焊接后也应进行焊头维护。根据使用和磨损情况，可能会需要在达到 1,000 次焊接之前进行维护。

每日工作开始之前：

1. 检查焊头是否清洁。应密切注意转子区。
2. 按**慢进**按钮。检查转子是否旋转平稳。按慢进按钮来停止转子运动。如果旋转异常或有噪音，则拆解焊头来清洗转子、齿轮和电刷。请参考**焊头拆解与清洗**。
3. 按**回原位**按钮来使转子回到原位。

每日工作结束之后：

1. 使用清洁软布和异丙醇等溶剂清除焊头上的污垢、碳以及蒸气沉积物。
2. 把焊头保存在清洁干燥的地方。



**警告！**

在执行调整或维护工作之前必须断开工件电缆和钨棒电缆与电源的连接。

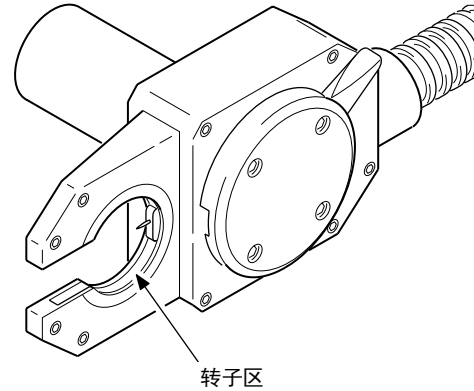


图 29 检查焊头的暴露表面



**注意！**

禁止在焊头内部使用润滑剂。



**注意！**

按下慢进或回原位按钮后，转子将运转。转子是一个潜在的夹手点。

## 焊头拆解与清洗

本节说明焊头和转子的拆解方法。

### 焊头

焊头拆解步骤如下：

1. 使用清洁低压空气吹掉焊头组件上的疏松物质。
2. 拆下四个螺钉、锁环和锁环板。参考图 30。

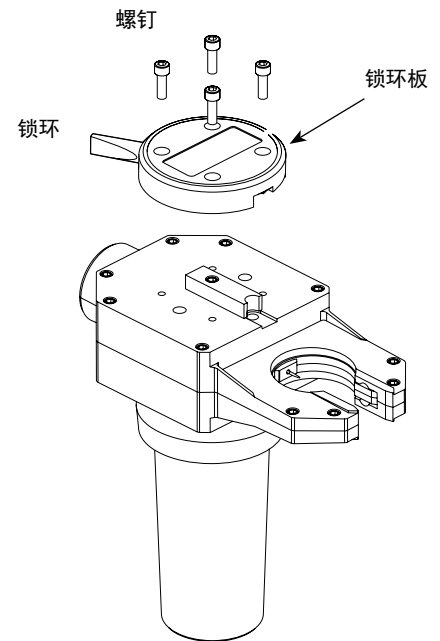


图 30 拆卸锁环和锁环板

3. 拆下带锁紧垫圈的工作延伸条螺钉，拆下工作延伸条。检查工作延伸条上是否有蚀坑、磨损或损坏。参考图 31。
4. 必要时更换工作延伸条。关于零部件订购信息，请参考本手册末尾的**零部件图纸**。

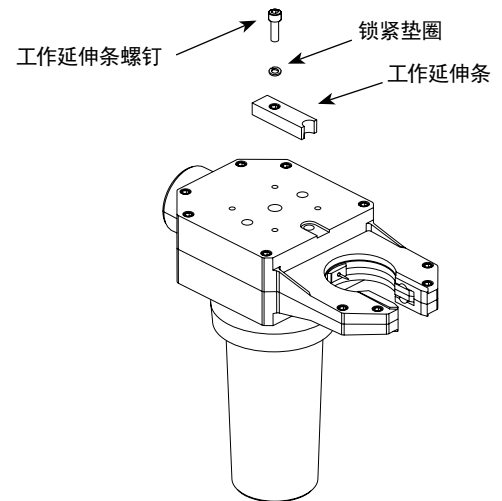


图 31 拆卸工作延伸条

5. 拆下外壳上的焊头外壳螺钉。轻轻摇晃来小心地把焊头外壳的锁环侧与电机侧分离。参考图 32。
6. 将焊头外壳分拆成两部分，小心避免损坏内部部件。参考图 32。
7. 拆下焊头外壳电机侧上的电机。参考图 33。
8. 小心地从焊头外壳电机侧提起电源块组件。参考图 34。

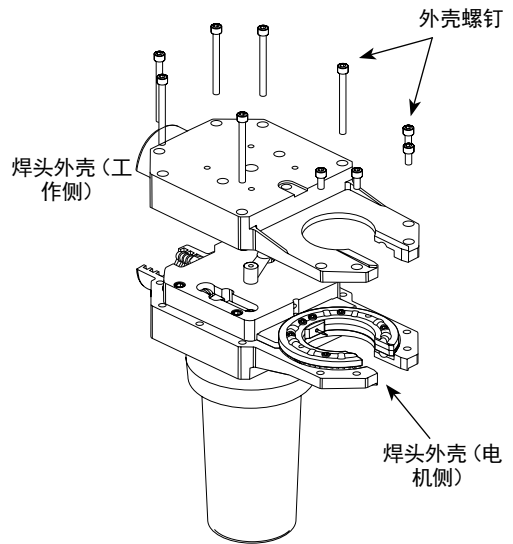


图 32 拆卸焊头外壳的锁环侧

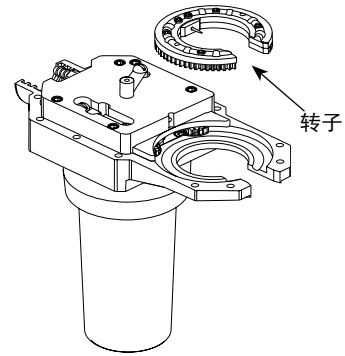


图 33 拆卸转子

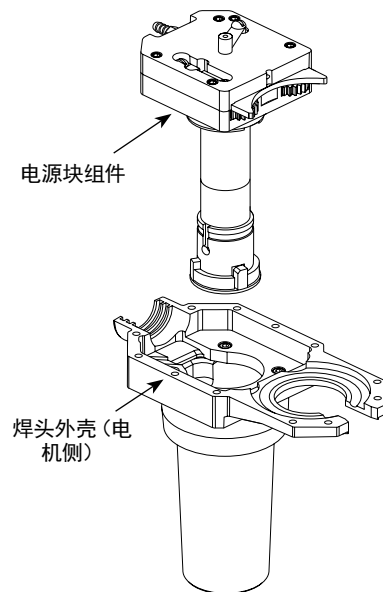


图 34 拆卸电源块组件

9. 检查电刷。参考图 35。

按如下步骤检查和清洁电刷：

- a. 检查电刷是否过度磨损。
  - b. 确认电刷上有槽。如果没有槽，则更换电刷。关于零件订购信息，请参考**零件图纸**。
  - c. 使用细砂布清除电刷上的氧化物。
10. 使用清洁低压空气吹掉电源块组件上的疏松物质。
  11. 确认两个电源接片螺钉已经拧紧。参考图 36。
  12. 确认工作板螺钉已经拧紧，并且没有过度氧化。参考图 37。必要时，使用细砂布擦干工作板。
  13. 检查齿轮是否磨损，若损坏则予以更换。关于零件订购信息，请参考**零件图纸**。

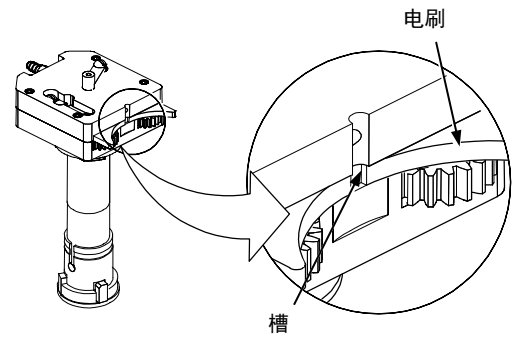


图 35 检查电刷

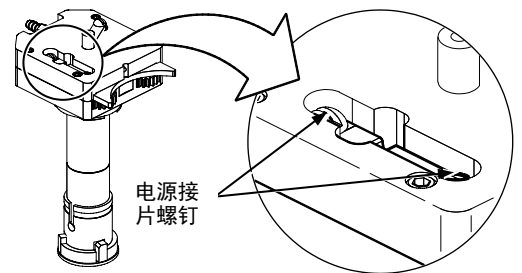


图 36 检查电源接片螺钉

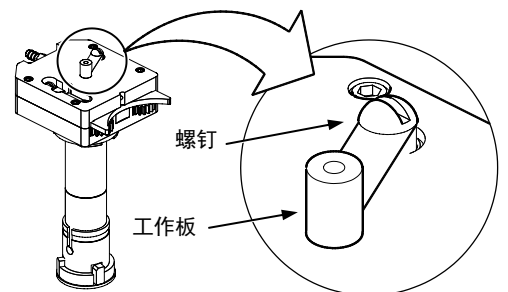


图 37 从电刷环上拆下齿轮环

## 转子

转子拆解步骤如下:

1. 从转子上拆下转子螺钉和钨棒夹紧板螺钉。从陶瓷插件上拆下电极。参考图 38。
2. 把转子放在清洁干燥的台面上, 转子开口朝上。把齿轮环与电刷环分离到使两个转子销钉脱离的程度。参考图 39。
3. 把齿轮环与电刷环完全分离, 如图 40 所示。把两个环平放在工作台面上。
4. 从齿轮环和电刷环上拆下滚珠轴承。
5. 检查滚珠轴承是否磨损或损坏。必要时予以更换。
6. 如果滚珠轴承脏污, 则使用异丙醇或清洗液将其清洗干净。令滚珠轴承彻底干燥。

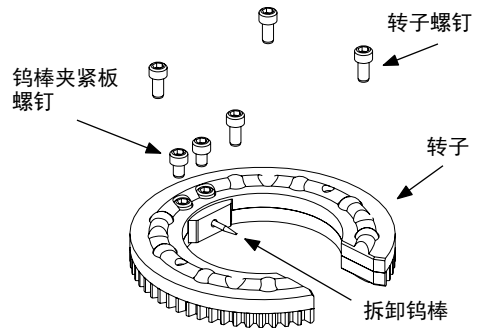


图 38 拆卸转子和钨棒夹紧板螺钉

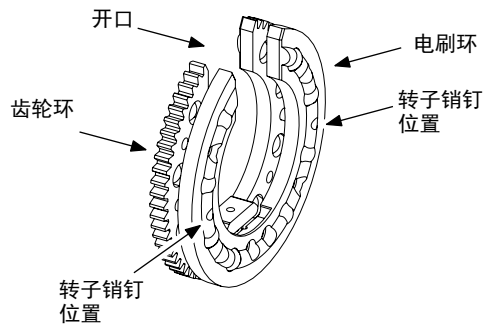


图 39 把转子放在工作台上

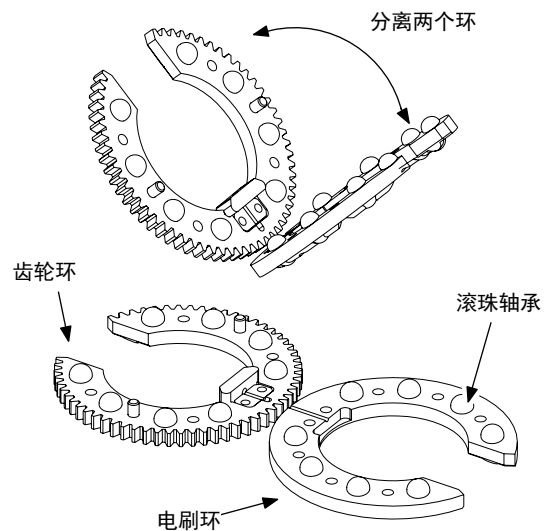


图 40 从电刷环上拆下齿轮环



7. 拆下陶瓷插件。参考图 41。
8. 检查陶瓷插件。如果陶瓷嵌件上有碳或其它沉积物，则使用细砂布或尼龙软刷清理干净。
9. 拆下钨棒夹紧板。使用细砂布将其清理干净。参考图 42。
10. 检查电刷环和齿轮环上是否有污垢或其它沉积物。使用细砂布或不锈钢丝软刷清理干净这两个环。
11. 在重新组装前，使用清洁的低压空气吹干所有零件。

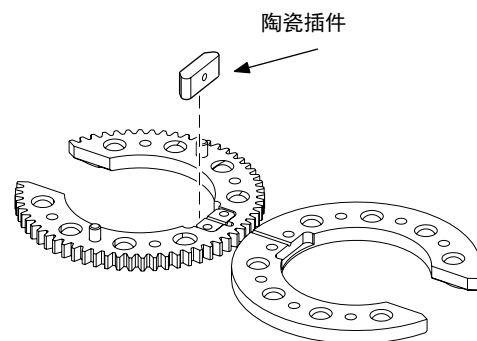


图 41 拆卸陶瓷插件

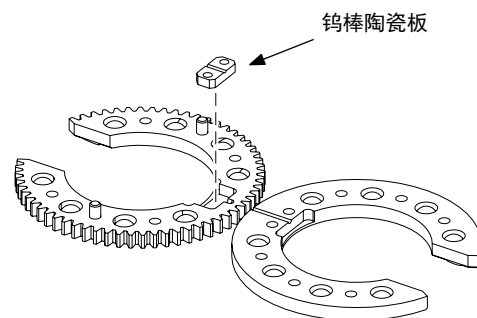


图 42 拆卸钨棒夹紧板

## 焊头组装

焊头和转子的组装是拆解步骤的逆操作。

焊头组装步骤如下：

1. 逆向执行转子部分所述的步骤。
2. 逆向执行焊头拆解与清洗部分所述的步骤。
3. 确认转子的位置正确。参考图 43。



**注意！**  
在组装过程中不要夹住任何内部配线。

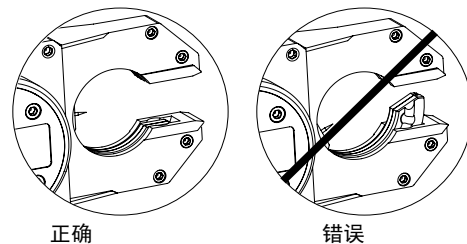


图 43 转子位置



## 零件图纸

本部分提供了分解装配图和相关零件清单。这些图纸指导用户识别各个零件的名称。欲了解具体零件的订购信息, 请与您当地的世伟洛克授权代表联系。

本部分包含的零件包括:

- SWS-5H 焊头
- SWS-5H 转子组件
- SWS-5H 电机和电源块组件
- CWS-5TFB 卡套管夹具块
- CWS-5FSP1 特殊用途夹具块
- SWS-5FSP1-EX 特殊用途夹具块
- CWS-5FSP2 特殊用途夹具块
- SWS-5FSP3L 侧板
- SWS-5FSP3R 侧板
- SWS-5FSP4L 侧板
- SWS-5FSP4R 侧板

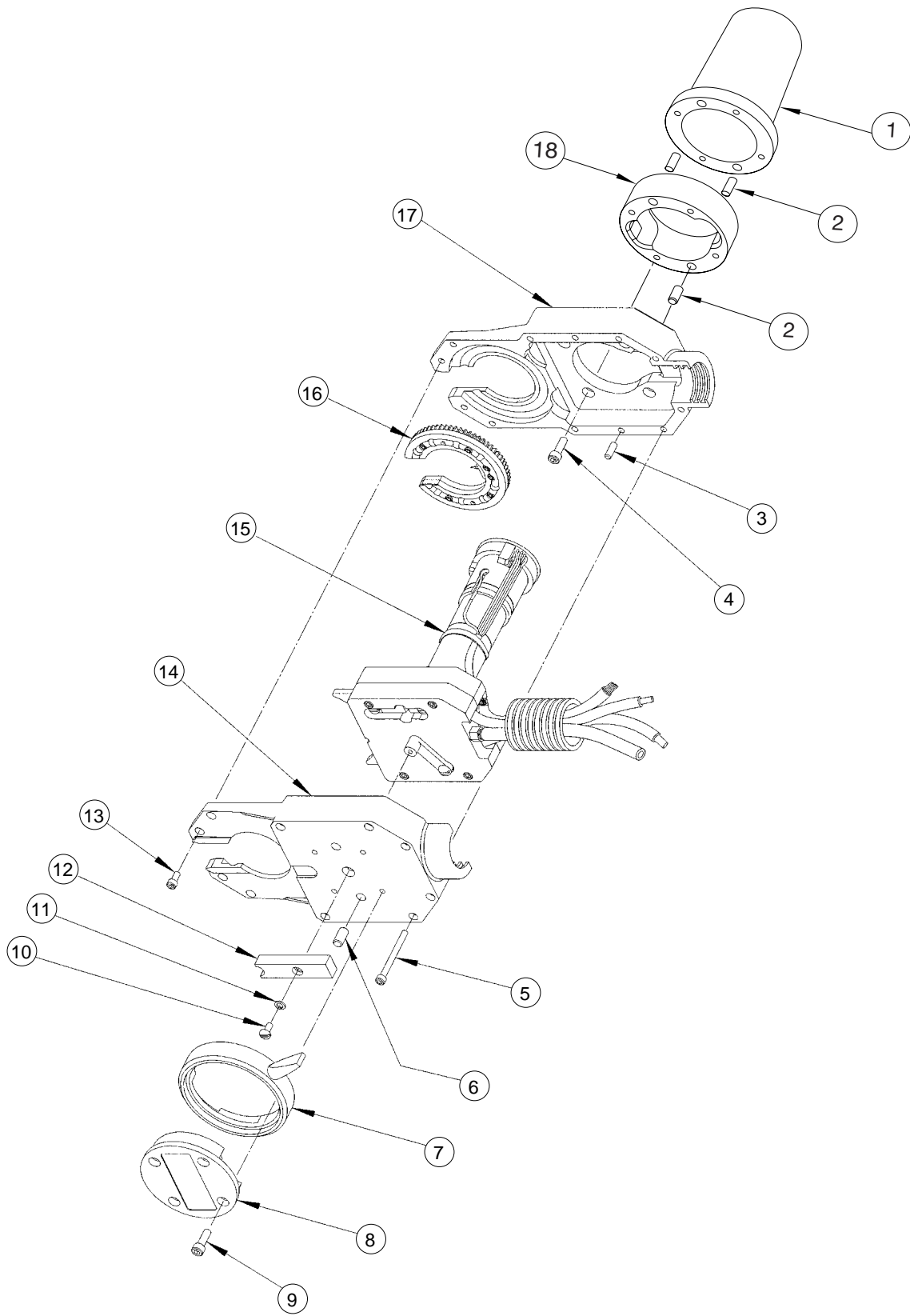


图 44 SWS-5H 焊头

表 7 SWS-5H 焊头零件清单

编号	描述	订购号	最低订购数量
1	电机罩	K-SWS-WH-MT-CVR	1
2	定位销	*	*
3	定位销	*	*
4	SS 内六角头螺钉, 6-32 × 1.000 in.	K-188-SCSA-138-32-1000	10
5	SS 内六角头螺钉, 4-40 × 1.250 in.	K-13162	10
6	定位销	*	*
7	锁环	K-21065	1
8	锁环板	K-SWS-WH-LK-RNG-PLT	1
9	塑料内六角头螺钉, 6-32 × 0.437 in.	K-13105	10
10	SS 圆头螺钉, 4-40 × 0.250 in.	K-188-21066-RCEU	10
11	锁紧垫圈	K-13208	10
12	工作 (+) 延伸条	K-21093	1
13	SS 内六角头螺钉, 4-40 × 0.260 in., 改造	K-13182	10
14	外壳 (工作侧)	K-SWS-5H-D-WSH	1
15	电机组件	*	*
16	转子组件	K-SWS-5H-RTR	1
17	外壳 (电机侧)	K-SWS-5H-D-MSH	1
18	焊头电机罩加长装置	K-SWS-WH-MT-CVR-EXT	1

欲了解订购信息, 请与您当地的世伟洛克授权代表联系。

\* 仅工厂服务

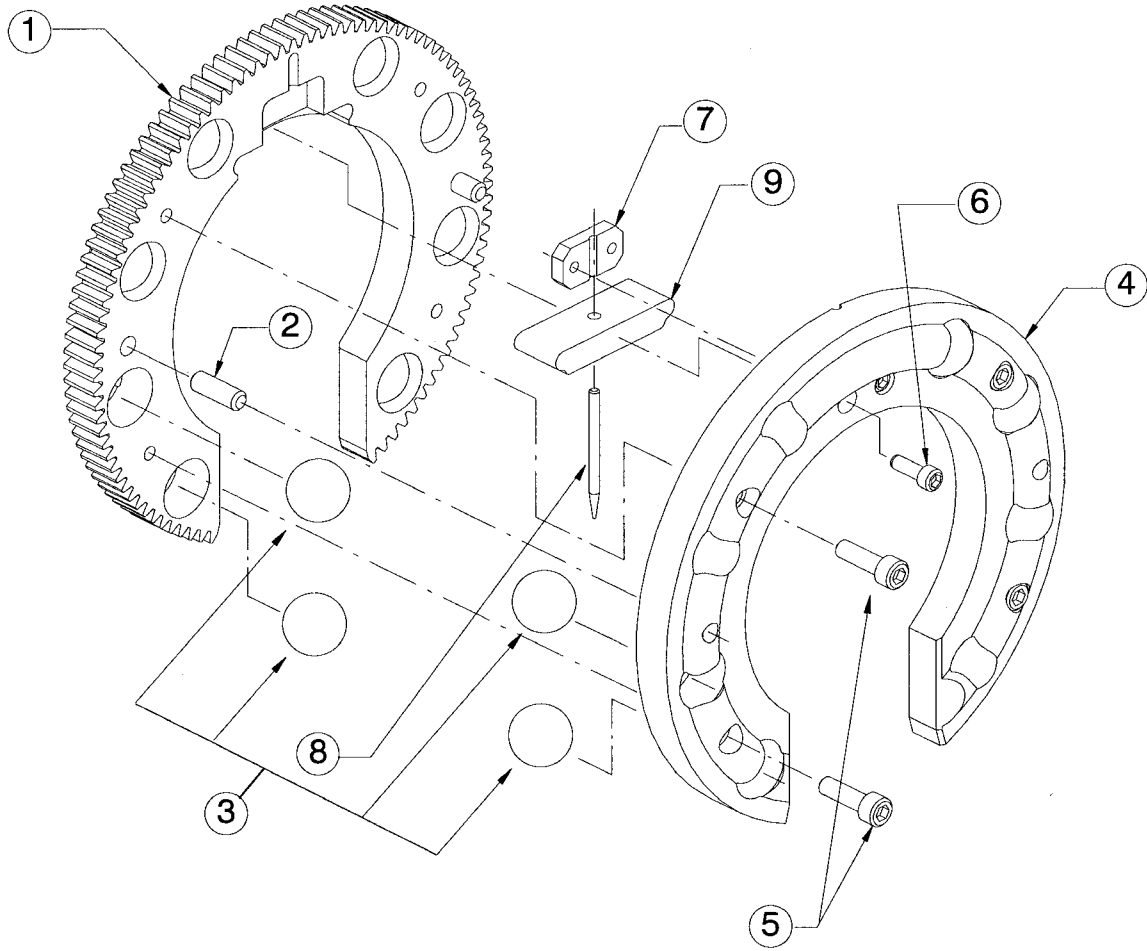


图 45 SWS-5H 转子组件

表 8 SWS-5H 转子组件零件清单

编号	描述	订购号	最低订购数量
1	转子齿轮环	K-SWS-5H-RTR-GEAR	1
2	定位销	*	*
3	塑料滚珠轴承, 0.187 in.	K-11153	10
4	转子电刷环	K-SWS-5H-RTR-BRUSH	1
5	SS 内六角头螺钉, 2-56 × 0.187 in.	K-13111	10
6	SS 内六角头螺钉, 2-56 × 0.125 in.	K-13110	10
7	钨棒夹紧板	K-11108	1
8	请参考钨棒表 (第 4 页)	-	-
9	陶瓷插件	K-11132	1

欲了解订购信息, 请与您当地的世伟洛克授权代表联系。

\* 仅工厂服务

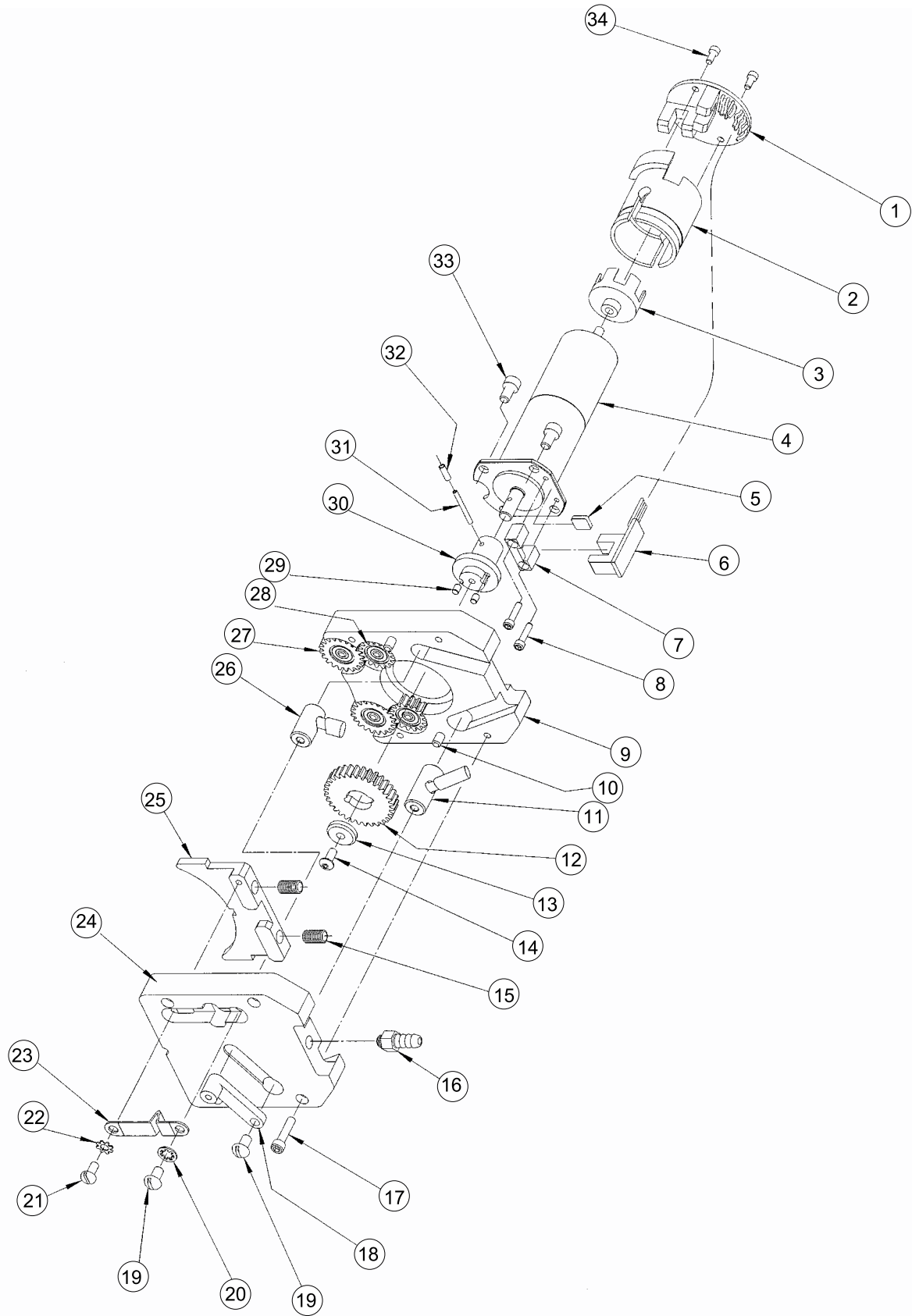


图 46 SWS-5H 电机和电源块组件



表 9 SWS-5H 电机和电源块组件零件清单

编号	描述	订购号	最低订购数量
1	解码器电路板	K-10708-A-RCEU	1
2	套管传感器座	*	*
3	解码器轮	*	*
4	电机	*	*
5	原位传感器座垫片	K-11126	1
6	原位传感器	*	*
7	原位传感器座	K-11125	1
8	SS 内六角头螺钉, 2-56 × 0.375 in.	K-13145	10
9	电源块 (电机侧)	K-21126	1
10	定位销	*	*
11	工作 (+) 柱	*	*
12	驱动齿轮	K-SWS-5H-DR-GR	1
13	弹簧垫圈	K-SWS-WH-DR-RET-WSHR	1
14	SS 圆头螺钉, 4-40 × 0.250 in.	K-13167	10
15	电刷弹簧	K-MW-CSC-180-014-310-SG	10
16	吹扫卡口	B-BN4-K62	1
17	SS 内六角头螺钉, 4-40 × 0.500 in.	K-13163	10
18	工作板	K-11053-A	1
19	SS 圆头螺钉, 6-32 × 0.250 in.	K-188-13124-RCEU	10
20	SS #6 内齿锁紧垫圈	K-410-13251-RCEU	10
21	SS 平头螺钉, 4-40 × 0.250 in.	K-188-21066-RCEU	10
22	SS #4 外星形垫圈	K-13171	10
23	电源接口	K-11117-RCEU	1
24	电源块 (工作侧)	K-21207	1
25	电刷	K-SWS-5H-BRUSH	1
26	电源接口	*	*
27	齿轮组件	10009-4	1
28	齿轮组件	10009-3	1
29	SS 定位销, 0.093 × 0.125 in.	K-13133	10
30	传动耦合器	*	*
31	传动耦合器销	*	*
32	传动耦合器销套	*	*
33	SS 内六角头螺钉, 6-32 × 0.250 in.	K-13174	10
34	SS 内六角头螺钉, 2-56 × 0.187 in.	K-13111	10

欲了解订购信息, 请与您当地的世伟洛克授权代表联系。

\* 仅工厂服务

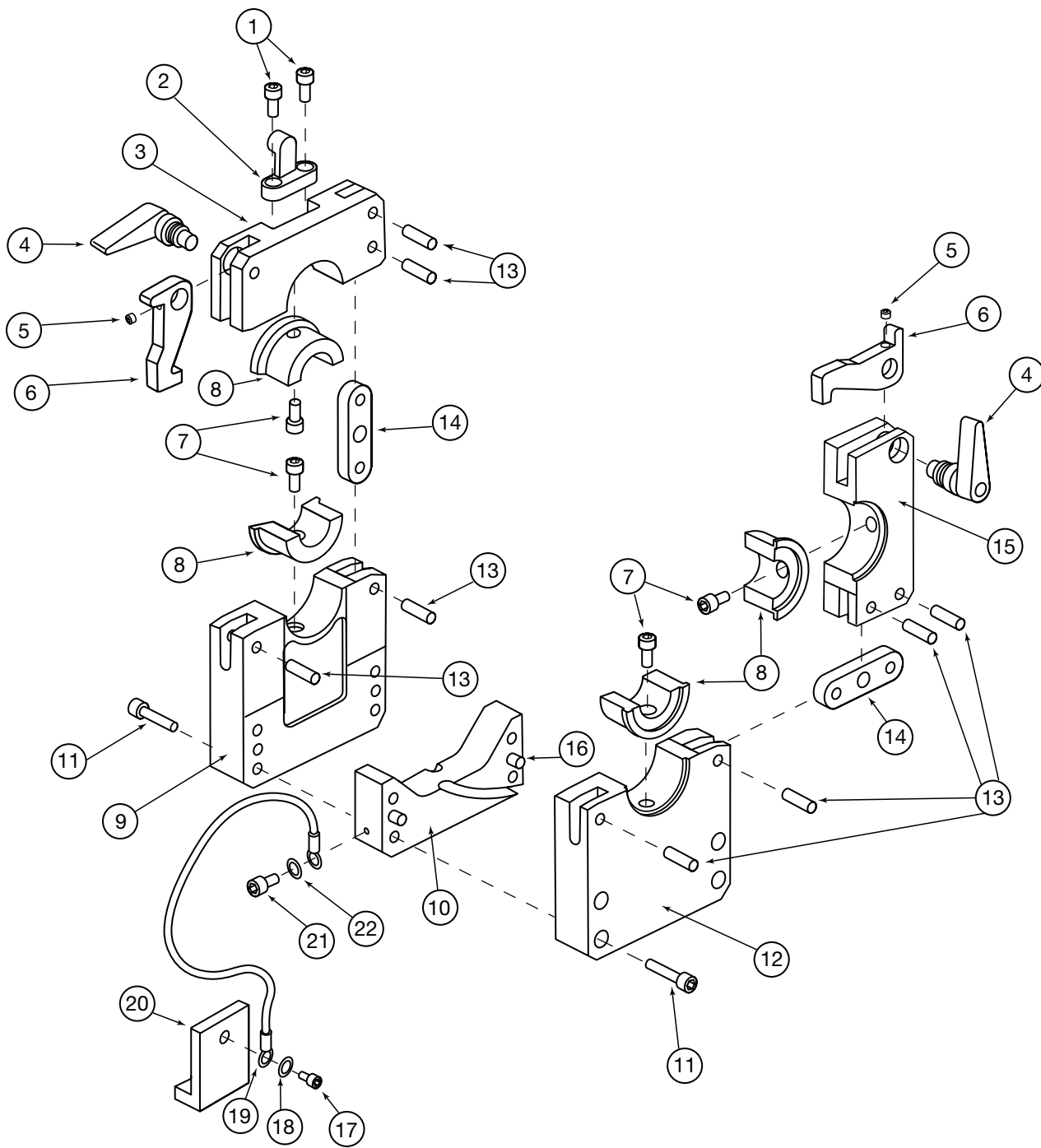


图 47 CWS-5TFB 卡套管夹具块

表 10 CWS-5TFB 卡套管夹具块零件清单

编号	描述	订购号	最低订购数量
1	SS 内六角头螺钉, 4-40 × 0.250 in.	K-13112	10
2	锁定片	K-12134	1
3	下侧板 (左)	CWS-5TSPL	1
4	锁杆凸轮组件	K-12130-2	1
5	SS 固定螺钉, 4-40 × 0.125 in.	K-12132	10
6	门锁	K-12131	1
7	SS 内六角头螺钉, 4-40 × 0.250 in.	K-13112	10
8	请参考夹箍表 (在 5 系列轨道焊接系统, MS-02-129 内)	-	-
9	上侧板 (左)	CWS-5TSPL	1
10	供气室组件	CWS-5PLEN	1
11	SS 内六角头螺钉, 4-40 × 0.563 in.	K-13115	10
12	上侧板 (右)	CWS-5TSPR	1
13	定位销	*	*
14	铰链	*	*
15	下侧板 (右)	CWS-5TSPR	1
16	定位销	*	*
17	SS 内六角头螺钉, 4-40 × 0.187 in.	K-13207	10
18	SS #4 外星形垫圈	K-13171	10
19	6 in. 系索	410-003	1
20	中心规	CWS-5CG	1
21	SS 内六角头螺钉, 4-40 × 0.250 in.	K-13112	10
22	SS #4 外星形垫圈	K-13171	10

欲了解订购信息, 请与您当地的世伟洛克授权代表联系。

\* 仅工厂服务

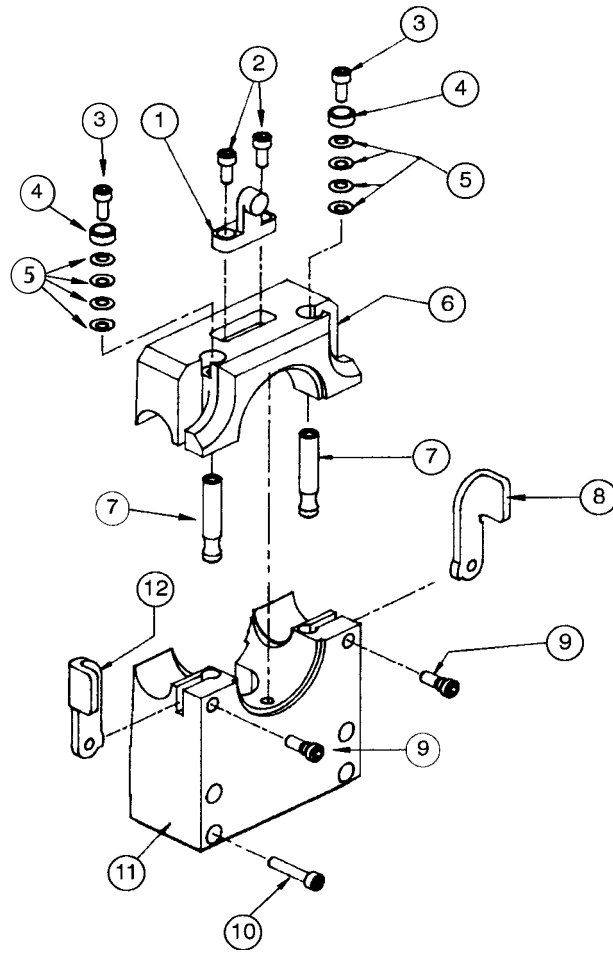


图 48 CWS-5FSP1 特殊用途夹具块

表 11 CWS-5FSP1 特殊用途夹具块零件清单

编号	描述	订购号	最低订购数量
1	锁定片	K-12134	1
2	SS 内六角头螺钉, 4-40 × 0.250 in.	K-13112	10
3	SS 内六角头螺钉, 4-40 × 0.250 in.	K-13112	10
4	塑料间隔圈	K-13245	10
5	Bellville 弹簧垫圈	K-13244	10
6	上侧板	K-CWS-5FSP1-TOP	1
7	凸轮销钉	K-12160-A	1
8	右门凸轮	K-12159	1
9	SS 固定螺钉, 10-32 × 0.420 in., 改造	K-13224	1
10	SS 内六角头螺钉, 4-40 × 0.563 in.	K-13115	10
11	下侧板	K-12162	1
12	左门凸轮	K-12158	1

欲了解订购信息, 请与您当地的世伟洛克授权代表联系。

① 上侧板 (编号 2-9)

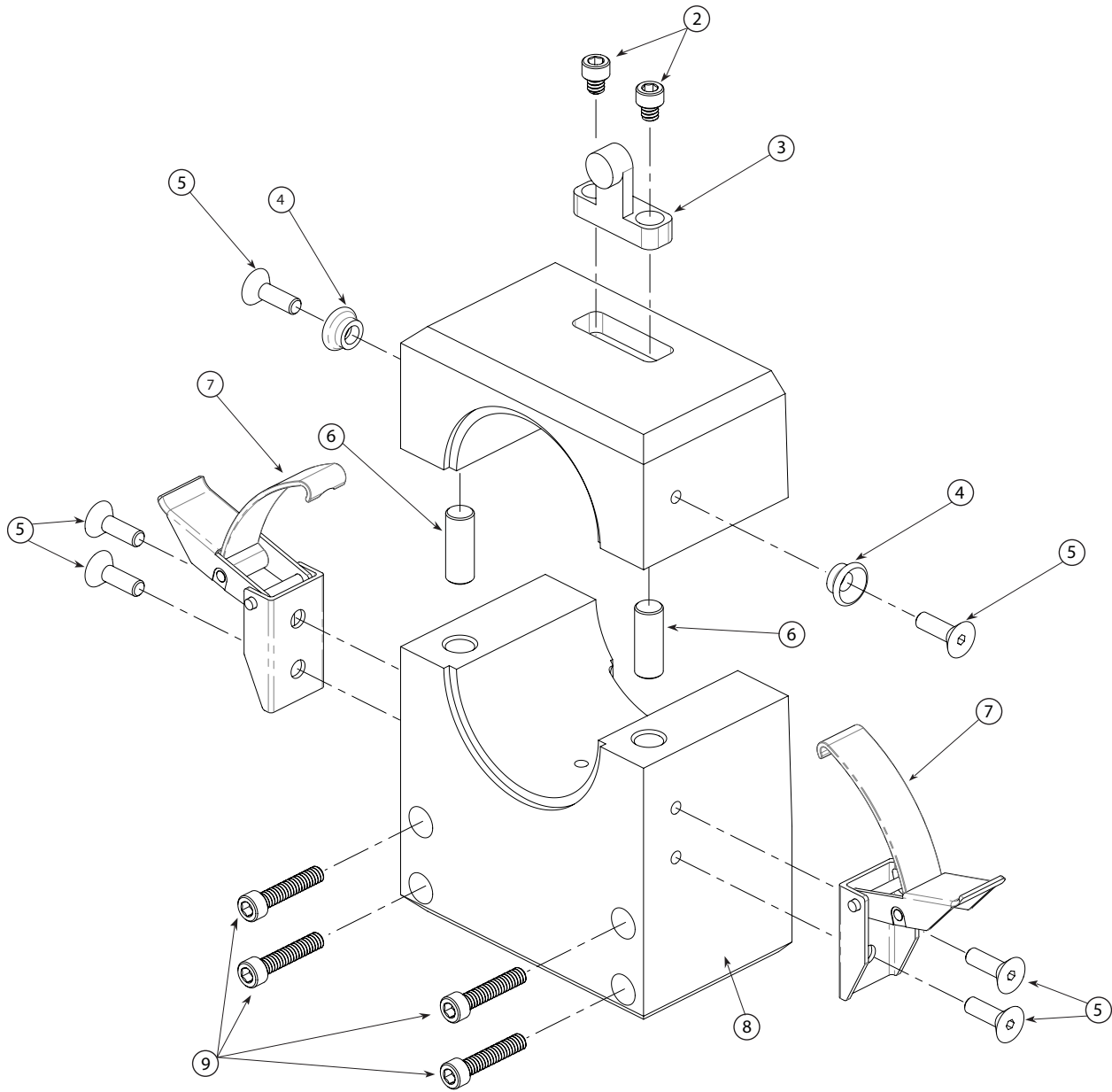


图 49 SWS-5FSP1-EX 特殊用途夹具块

表 12 SWS-5FSP1-EX 特殊用途夹具块零件清单

编号	描述	订购号	最低订购数量
1	上侧板	SWS-5FSP1-EX	1
2	SS 内六角头螺钉, 4-40 x 0.125 in.	K-188-SCSA-112-40-125	10
3	锁定片	K-12134	1
4	按钮保持器	K-13300	10
5	SS 平头螺钉, 4-40 x 0.375 in.	K-13108	10
6	定位销	*	*
7	门锁	K-11520	1
8	下侧板	K-SWS-5FSP1-EX-BTM	1
9	SS 内六角头螺钉, 4-40 x 0.563 in.	K-13115	10

欲了解订购信息, 请与您当地的世伟洛克授权代表联系。

\* 仅工厂服务

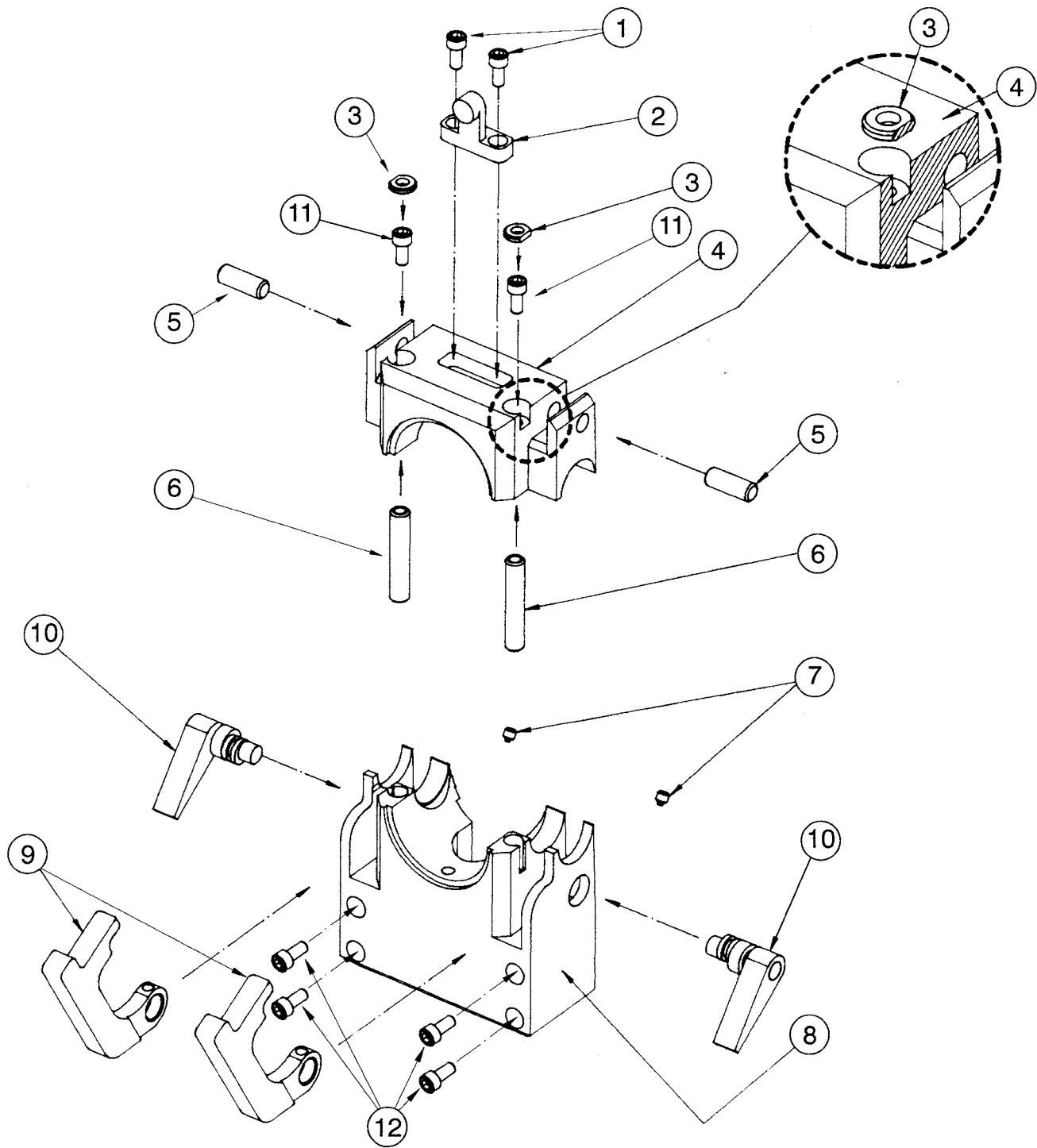


图 50 CWS-5FSP2 特殊用途夹具块



表 13 CWS-5FSP2 特殊用途夹具块零件清单

编号	描述	订购号	最低订购数量
1	SS 内六角头螺钉, 4-40 × 0.250 in.	K-13112	10
2	锁定片	K-12134	1
3	塑料螺钉挡圈	K-12169	10
4	上侧板	K-CWS-5FSP2-TOP	1
5	定位销	*	*
6	定位销钉	K-12168	1
7	SS 固定螺钉, 4-40 × 0.125 in.	K-12132	10
8	下侧板	K-12166	1
9	门锁	K-12167	1
10	锁杆凸轮组件	K-12130-2	1
11	SS 内六角头螺钉, 4-40 × 0.250 in.	K-13112	10
12	SS 内六角头螺钉, 4-40 × 0.563 in.	K-13115	10

欲了解订购信息, 请与您当地的世伟洛克授权代表联系。

\* 仅工厂服务

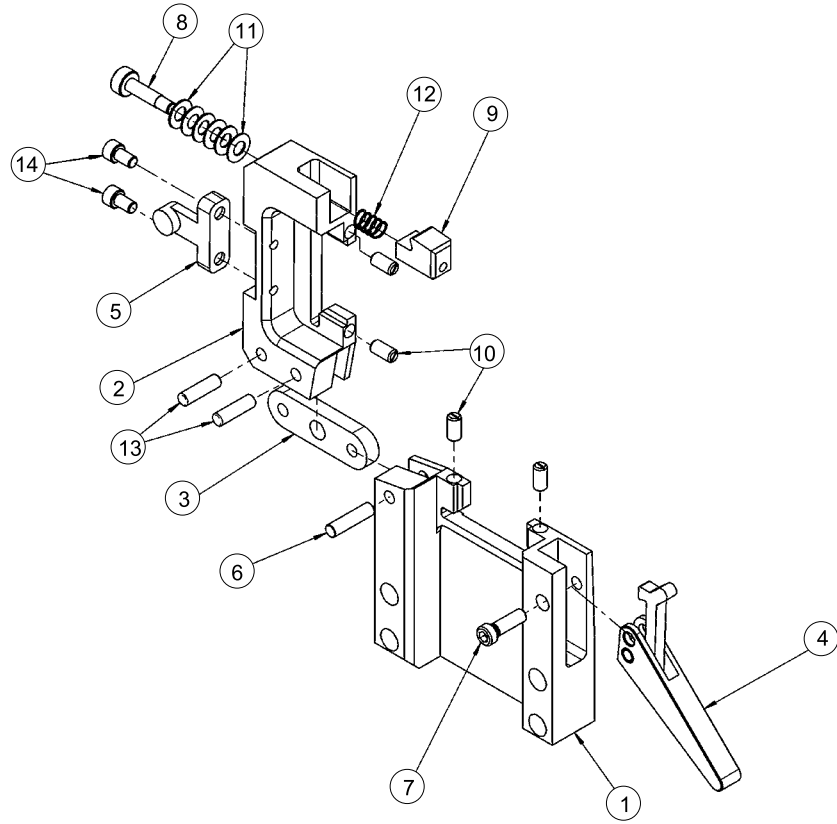


图 51 SWS-5FSP3L 侧板

表 14 SWS-5FSP3L 侧板零件清单

编号	描述	订购号	最低订购数量
1	下侧板	*	*
2	上侧板	*	*
3	铰链	*	*
4	锁杆	K-21030	1
5	锁定片	K-12134	1
6	定位销	*	*
7	SS 固定螺钉, 4-40 × 0.495 in., 改造	K-13226	10
8	SS 内六角头有肩螺钉, 4-40 × 0.125 × 0.375 in.	K-13248	10
9	锁扣	K-12122	1
10	球柱塞 5-40 × 0.250 in.	K-13246	10
11	Bellville 弹簧垫圈	K-13247	10
12	弹簧	K-MW-CSC-180-014-380-SG	10
13	定位销	*	*
14	SS 内六角头螺钉, 4-40 × 0.187 in.	K-13207	10

欲了解订购信息, 请与您当地的世伟洛克授权代表联系。

\* 仅工厂服务

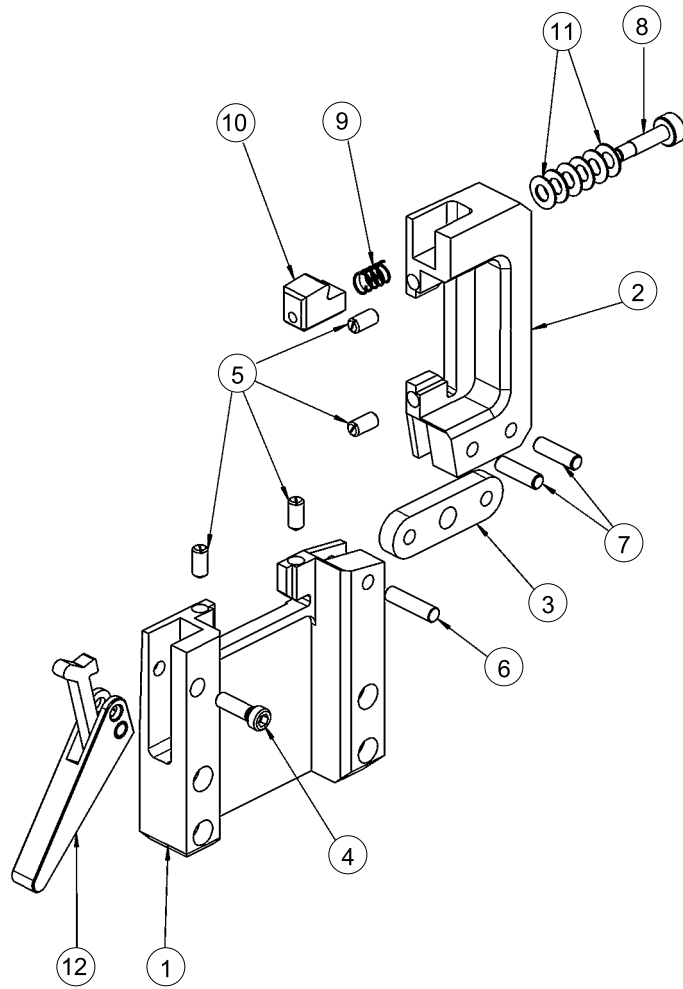


图52 SWS-5FSP3R 侧板

表 15 SWS-5FSP3R 侧板零件清单

编号	描述	订购号	最低订购数量
1	下侧板	*	*
2	上侧板	*	*
3	铰链	*	*
4	SS 固定螺钉 10-32 × 0.495 in., 改造	K-13226	10
5	球柱塞, 5-40 × 0.250 in.	K-13246	10
6	定位销	*	*
7	定位销	*	*
8	SS 内六角头有肩螺钉, 4-40 × 0.125 × 0.375 in.	K-13248	10
9	弹簧	K-MW-CSC-180-014-380-SG	10
10	锁扣	K-12122	1
11	Bellville 弹簧垫圈	K-13247	10
12	锁杆	K-21030	1

欲了解订购信息, 请与您当地的世伟洛克授权代表联系。

\* 仅工厂服务

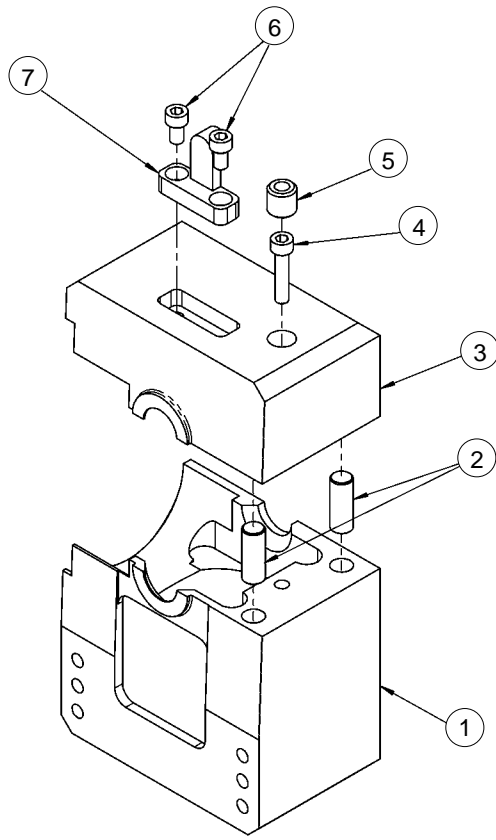


图 53 SWS-5FSP4L-XX 侧板

表 16 SWS-5FSP4L-XX 侧板零件清单

编号	描述	订购号	最低订购数量
1	5FSP4L-XX 下部	*	*
2	定位销	*	*
3	5FSP4L-XX 上部	*	*
4	SS 内六角头螺钉, 4-40 × 0.500 in.	K-13163	10
5	螺钉挡圈	K-12114	10
6	SS 内六角头螺钉, 4-40 × 0.187 in.	K-13207	10
7	锁定片	K-12134	1

欲了解订购信息, 请与您当地的世伟洛克授权代表联系。

\* 仅工厂服务

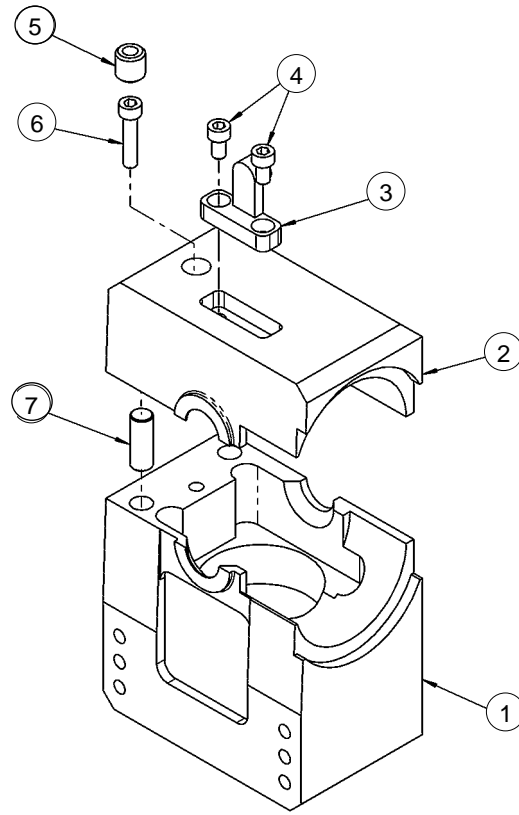


图 54 SWS-5FSP4R-XX 侧板



表 17 SWS-5FSP4R-XX 侧板零件清单

编号	描述	订购号	最低订购数量
1	5FSP4R-XX 下部	*	*
2	5FSP4R-XX 上部	*	*
3	锁定片	K-12134	1
4	SS 内六角头螺钉, 4-40 × 0.187 in.	K-13207	10
5	螺钉挡圈	K-12114	10
6	SS 内六角头螺钉, 4-40 × 0.500 in.	K-13163	10
7	定位销	*	*

欲了解订购信息, 请与您当地的世伟洛克授权代表联系。

\* 仅工厂服务

## 质量保证信息

世伟洛克公司对其产品提供有限的永久质量保证。如需了解详情, 请访问公司网站 [swagelok.com.cn](http://swagelok.com.cn) 或联系您当地的世伟洛克授权代表。



